

Listening is believing

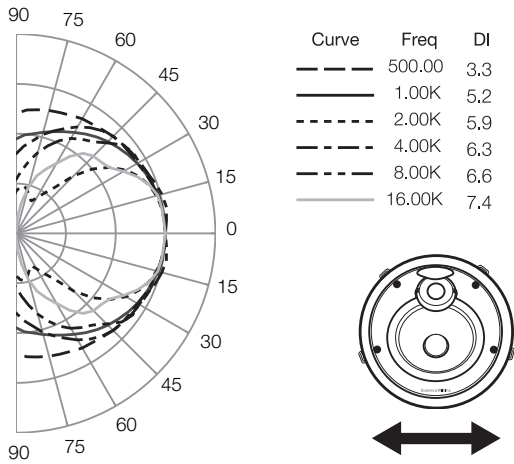
Borrowing the punchy Kevlar® bass/midrange drive unit from B&W's legendary 800 Series, the CCM816 in-ceiling speaker, a smaller version of the CCM818, is designed for home theatre or 2-channel applications. Fitted at a 28 degree angle, the 6.5 inch driver units enable the optimum listening axis to be directed more towards the listening area. This improves sound quality and imaging in a way that normal ceiling speakers cannot offer.

Technical Specifications

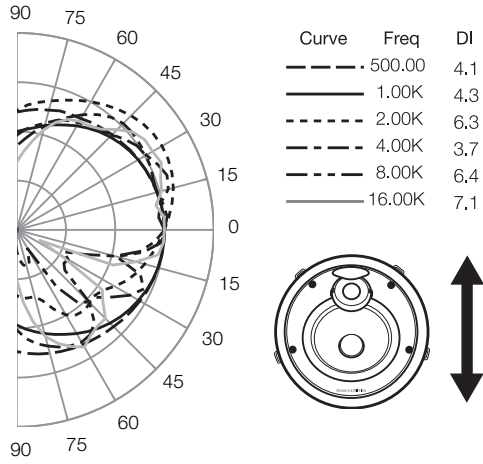
Technical features	Angled tweeter and bass/mid driver Woven Kevlar® bass/midrange driver Nautilus™ tube-loaded tweeter
Description	2-way in-ceiling/wall speaker system
Drive units	1x ø25mm (1 in) (black anodised) tube-loaded aluminium dome high-frequency 1x ø165mm (6.5 in) woven (blue) Kevlar® cone bass/midrange
Frequency range	-6dB at 45Hz and 45kHz
Frequency response	49Hz-22kHz ±3dB on reference axis
Sensitivity	88dB spl (2.83V, 1m)
Nominal impedance	8Ω (minimum 4.7Ω)
Crossover frequency	3.5kHz
Recommended amplifier power	150W continuous into 8Ω on unclipped programme
Frame size	Diameter: 228mm (9in)
Cut-out size	Diameter: 207mm (8.1in)
Min depth req	148mm (5.8in) in front of ceiling surface
Net weight	2.7kg (4lb)
Finish	Semi-matt white suitable for customising or pre-painting
Accessories	Pre-mount kit for new construction: PMK C6 Backbox: BB C6



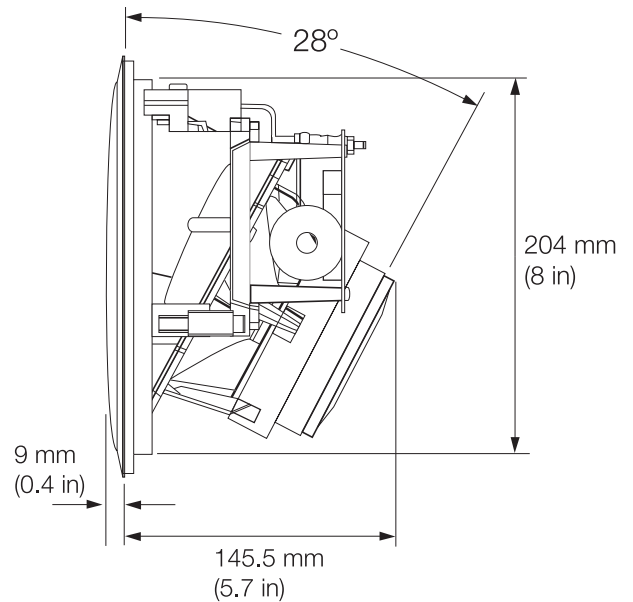
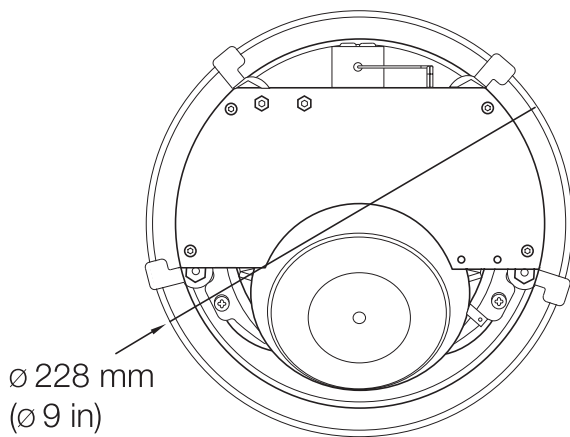
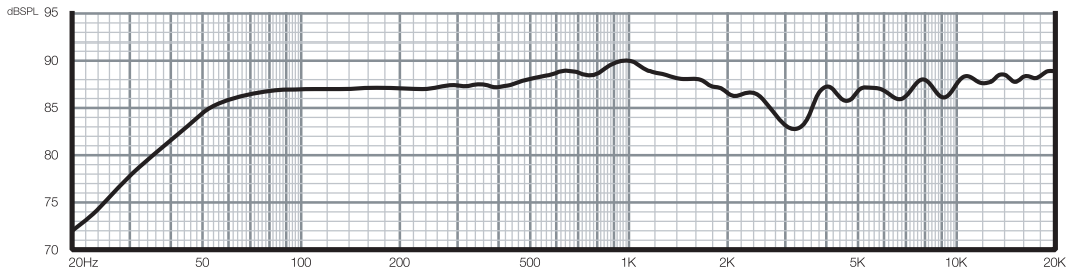
Polar Response Horizontal



Polar Response Vertical



Frequency response



Bowers & Wilkins

www.bowers-wilkins.com

Kevlar is a registered trademark of DuPont.
Nautilus is a trademark of B&W Group Ltd.
Copyright © B&W Group Ltd. E&OE
B&W Group Ltd reserves the right to amend details of the specification without notice in line with technical developments