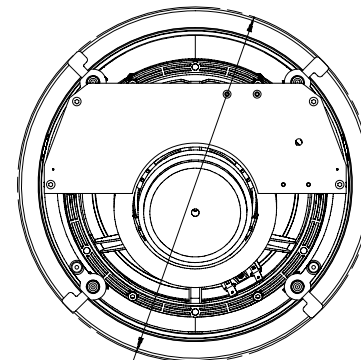
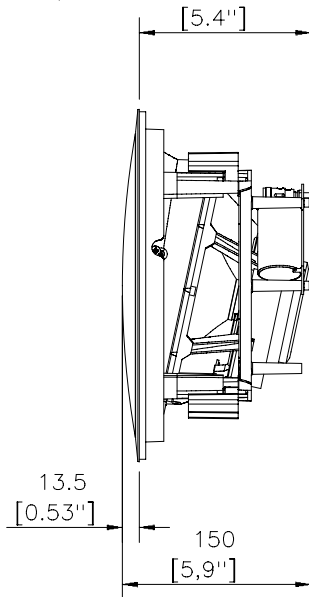
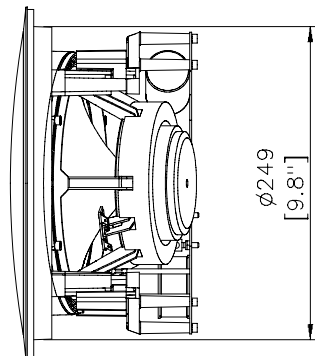


∅280 (WALLFRAME)  
[11.0"]

136 (DEPTH OF UNIT INSIDE WALL)



∅282 (EXTENT OF SWING OUT DOGS)  
[11.1"]



ALL COMPONENTS MUST BE RoHS COMPLIANT

DO NOT SCALE

**B&W**  
Bowers & Wilkins

DIMENSIONS IN mm

TOLERANCES  
 0. ± 0.5  
 0.0 ± 0.3  
 0.00 ± 0.1  
 ANGLES ± 0.5°

UNLESS OTHERWISE STATED

MATERIAL	N/A
FINISH	N/A

2	GRILLE ADDED.	15-5-07		
ISS	AMENDMENT	ECN NO.	DATE	APPROVAL
TITLE CCM818 LINE DRAWING				

COPYRIGHT © 2007	
DRAWN GMP	DATE 26-1-07
CHECKED / APPROVED	
SCALE	1:4
FULL DRG SIZE	A3

PART NO.	FP24391
DRG. NO.	A8439-1-1
ISS	②