



B-TECH AUDIO VIDEO MOUNTS

MOUNTING SOLUTIONS • SUPPORTS • CABLES • ACCESSORIES

2010

PRODUCT CATALOGUE





I would like to take this opportunity to welcome you to B-Tech Audio Video Mounts and introduce you to our latest catalogue.

B-Tech continues to invest heavily in research and development to ensure that our range of audio video mounting solutions is one of the most comprehensive in the industry. All products are designed and engineered at our international head office, located in central England, which includes a 4,500 square meter distribution facility. In addition to that, we have a European office and warehouse located in Brussels, Belgium to facilitate quick and efficient deliveries throughout Europe, together with offices and warehousing strategically located in Buffalo, NY, for North America, Singapore for the Asia Pacific region and Hong Kong for the China market. All of these allow B-Tech Audio Video Mounts to be supplied no matter where that key installation is in the world. Our international network of regional stocking distributors truly enhances B-Tech Audio Video Mounts as a worldwide leader in audio video mounting solutions.

Thanks and best regards from everyone at B-Tech.

Matthew Bennett
Managing Director

B-TECH INTERNATIONAL



International Head Office

B-Tech International Ltd.

From within the UK - Tel: 0844 800 0445
From outside the UK - Tel: +44 (0)1327 300787
Email: info@btechavmounts.co.uk

Europe

B-Tech Pro-AV bvba

Tel: +32 (0)2 720 9271
Email: info@btechproav.com

North America

B-Tech Audio Video Mounts

Tel: (1) 800 975 5812
Email: info@btechavmounts.com

Asia-Pacific

B-Tech AV Mounts PTE Ltd.

Tel: (+65) 6841 2988
Email: info@btechavmounts.com.sg

China

B-Tech International (Hong Kong) Ltd.

Tel: (+852) 2556 7337
Email: info@btechavmounts.com.hk

ABOUT US

B-Tech Audio Video Mounts is an industry leader in the design and manufacture of audio and video mounting solutions, offering one of the most extensive, versatile and comprehensive ranges available. Since its inception in 1972, B-Tech has truly earned a considerable and unrivalled reputation for product design, quality, value and customer service excellence.

Strategically located in the Midlands, England, the purpose built B-Tech UK Headquarters houses the international Sales and Marketing divisions, showrooms, Research and Development laboratories, testing house, and a warehousing facility with a stocking capacity of more than 45,000sq ft. From this solid foundation, B-Tech distribution reaches out to all corners of the globe through our committed network of distributor partners and backed up with the support of our B-Tech subsidiary offices located in Hong Kong, Singapore, Belgium and New York.



PRODUCT DEVELOPMENT

The B-Tech range of AV mounts and supports are of class leading strength and durability. Practical designs with unique B-Tech touches ensure a user friendly, straightforward installation every time. All product ranges are designed to meet the very strict industry safety standards and many products are tested and approved by bodies such as GS/TUV and UL. B-Tech also holds membership to many industry organisations such as Cedia and InfoComm.

B-Tech backs its ever expanding range of mounts and supports with a no-quibble ten year lifetime guarantee against defects and workmanship.



CUSTOM DESIGN SERVICE

With in house design facilities, B-Tech is able to develop and manufacture short run lines and bespoke products in a timely fashion. With an excellent network of manufacturing facilities, products can be manufactured in the UK or offshore - depending on quantities required and the time available.

If you have a requirement for a product which is not featured in the B-Tech range, please contact your B-Tech distributor to develop your solution. In many cases, a solution can be found using B-Tech's extensive range of off-the-shelf components and accessories. Otherwise, B-Tech's Bespoke Service Team can accommodate all of your mounting requirements.




PRODUCT PACKAGING

Continual investment in international brand recognition affords B-Tech a high profile standing within the consumer electronics industry. To strengthen that position, this Autumn sees the launch of new retail packaging rolling out across all the B-Tech consumer ranges. This fresh, high impact design, full of new features and specifications, now comes with much improved instruction manuals and key bullet point translations in 9 different languages. The new B-Tech Mountlogic range packaging includes new colour gift boxes with carry handles and also the new 'blister box'.



The table below shows the icons used in this catalogue. Product features can be quickly referenced using the icon system, which is implemented across most of our range.

PRODUCT SPECIFICATION		COLOURS AVAILABLE									
	These items are new to the B-Tech range for 2010		Black								
	Maximum Screen Size		Piano Black								
	Weight Limit		Silver								
	Tilt Range		White								
	Swivel Range		Chrome								
	Compatible with B-Tech Accessory Collar(s)		Zinc								
	Compatible with 'Heavy Duty' B-Tech Accessory Collar(s)		Clear Glass								
	Post Installation Screen Alignment	<table border="1"> <thead> <tr> <th colspan="2">PACKAGING AVAILABLE</th> </tr> </thead> <tbody> <tr> <td></td> <td>B-Tech product available in retail packaging</td> </tr> <tr> <td></td> <td>B-Tech product available in pro box packaging</td> </tr> <tr> <td></td> <td>Ventry product available in retail packaging</td> </tr> </tbody> </table>		PACKAGING AVAILABLE			B-Tech product available in retail packaging		B-Tech product available in pro box packaging		Ventry product available in retail packaging
PACKAGING AVAILABLE											
	B-Tech product available in retail packaging										
	B-Tech product available in pro box packaging										
	Ventry product available in retail packaging										
	'OWLS' On Wall Levelling System										
	Security Screws Included With Product										
	VESA Fixing Compatible										

RETAIL RANGE

VESA Flat Screen Mounts	8
Universal Flat Screen Mounts	16
Flat Screen Ceiling Mounts	20
Screen Mounting Compatibility Chart	22
Flat Screen Desk Mounts	24
Ventry Flat Screen Mounts	27
Flat Screen Mounting Adapters	31
Cable Management	36
AV Component Shelves	38
AV Care and Cleaning Accessories	40
Projector Mounts	42
CRT Mounts	46
Speaker Mounts	49
Speaker Stands	53
AV Interconnect Cables	115
Audio Video Controls	118

PROFESSIONAL RANGE

System 2 Range Information	58
System 2 Pro Mounts	62
Accessory Collars	71
AV Component Accessory Shelves	76
Professional Flat Screen Interface Kits	79
Professional Flat Screen Mounts	81
Flat Screen And Projector Trolleys	85
Flat Screen Floor Stands	88
Flat Screen Desk Mounts	95
Professional Projector Mounts	101
Exhibition Mounts	106
AV Accessories	109
Tamper Resistant Fasteners	112
Professional AV Interconnect Cables	123
Index	126



mountlogic® range



B - T E C H A U D I O V I D E O M O U N T S

The Mountlogic range from B-Tech offers one of the most comprehensive retail packed ranges of audio video mounts and supports on the market today. The range has recently benefited from an update, giving products a more stylish design and making them even easier to install. In addition to this update, the new packaging is clean, stylish and gives the range a fresh new look.

- Designed and engineered in the UK
- Over 100 retail products with genuinely original designs
- Multiple finishes as standard including black, silver, white or chrome
- Quick and easy installations
- Comprehensive fixing kits included
- Simple pictorial instructions
- Products designed to GS/TUV safety standards



Simple
1-2-3 step
installations



Mounts feature
On Wall
Levelling
System

www.btechavmounts.co.uk



FLAT SCREEN MOUNTS

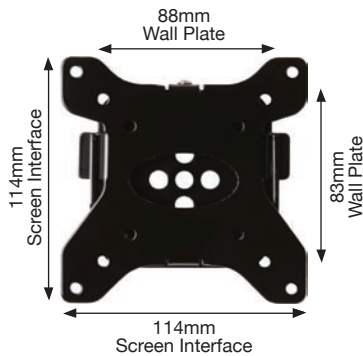
mountlogic[®]
range

The Mountlogic range of flat screen mounts includes solutions for wall and ceiling mounting and all mounts feature quick and easy hook-on installation. All fixings are provided for a seamless installation and for added security, tamper resistant fasteners are included for enhanced security where possible.

BT7510

FLAT SCREEN WALL MOUNT LOW PROFILE

- Fits 50 x 50mm, 75 x 75mm and 100 x 100mm VESA mounting patterns
- Mounts screen only 15mm from wall
- Locking screw provided to prevent screen removal
- Simple hook-on installation with all mounting hardware included
- Supplied with pin hex security screws for added security
- Compatible with B-Tech accessory collars
- Retail blister-box



Screen Size	10" - 23"
Max. Weight	20kg (44lbs)
Dist. From Wall	15mm (0.6")
VESA Compatibility	50 x 50 75 x 75 100 x 100
Colours Available	Black, Silver

COMPATIBILITY



FEATURES



Available in
Black, Silver

PACKAGING



ACCESSORIES

BT7506
BT7502
BT7505
BT7542
BT7590

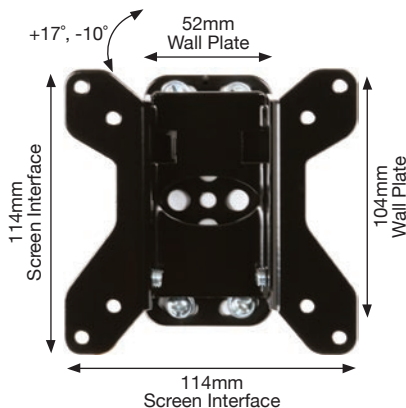
NUMBERS

Registered Design No.
3014344

BT7511

FLAT SCREEN WALL MOUNT WITH TILT

- Fits 75 x 75mm and 100 x 100mm VESA mounting patterns
- Mounts screen only 55mm from wall
- Tilts -10° and +17°
- Simple hook-on installation with all mounting hardware included
- Supplied with pin hex security screws for added security
- Compatible with B-Tech accessory collars
- Retail blister-box



Screen Size	10" - 23"
Max. Weight	20kg (44lbs)
Dist From Wall	55mm (2.1")
VESA Compatibility	75 x 75 100 x 100
Tilt	+17°, -10°
Colours Available	Black, Silver

COMPATIBILITY



FEATURES



Available in
Black, Silver

PACKAGING



ACCESSORIES

BT7506
BT7502
BT7505
BT7542
BT7590

NUMBERS

Registered Design No.
3014345

BT7518

FLAT SCREEN WALL MOUNT WITH TILT AND SWIVEL

- Fits 75 x 75mm and 100 x 100mm VESA mounting patterns
- Mounts screen 93mm from wall
- Tilts +17°, -10° and swivels 180°
- Allows 360° rotation of screen in any direction to display screen in landscape or portrait style
- Features post installation screen levelling
- Simple hook-on installation with all mounting hardware included
- Supplied with pin hex security screws for added security
- Retail blister-box



COMPATIBILITY



FEATURES



Available in
Piano Black, Silver

PACKAGING

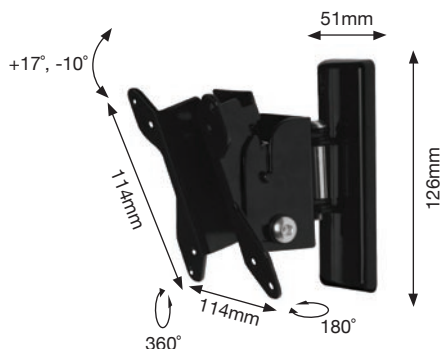


ACCESSORIES

BT7506
BT7502
BT7505
BT7542
BT7590

NUMBERS

Registered Design No.
4003649



Screen Size	10" - 23"
Max. Weight	20kg (44lbs)
Dist. From Wall	93mm (3.7")
VESA Compatibility	75 x 75 100 x 100
Tilt	+17°, -10°
Swivel	180°
Colours Available	Piano Black, Silver

BT7519

AVIBALL FLAT SCREEN WALL MOUNT WITH TILT AND SWIVEL

- Fits 50 x 50mm, 75 x 75mm and 100 x 100mm VESA mounting patterns
- Mounts screen 95mm from wall
- Tilts +/-37° and swivels 74°
- Allows 360° rotation of screen in any direction to display screen in landscape or portrait style
- Features post installation screen levelling
- Simple hook-on installation with all mounting hardware included



COMPATIBILITY



FEATURES



Available in
Black, Silver, Chrome

PACKAGING

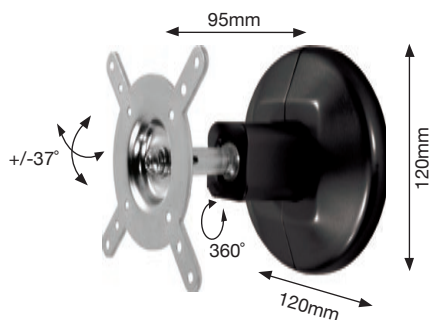


ACCESSORIES

BT7506
BT7502
BT7505
BT7542
BT7590

NUMBERS

Patent No:
2437850B

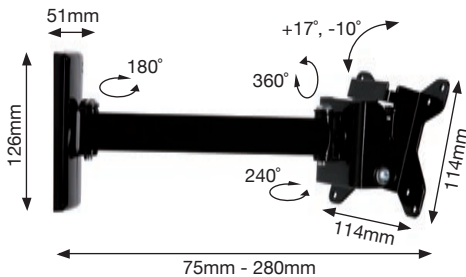


Screen Size	10" - 23"
Max. Weight	15kg (33lbs)
Distance from Wall	95mm (3.7")
VESA Compatibility	50 x 50 75 x 75 100 x 100
Tilt	+/-37°
Swivel	74°
Colours Available	Black, Silver, Chrome

BT7512

SMALL FLAT SCREEN WALL MOUNT WITH SINGLE ARM EXTENSION

- Fits 75 x 75mm and 100 x 100mm VESA mounting patterns
- Mounts screen from 75mm - 280mm from wall
- Tilts +17°, -10°
- Two swivel points: 180° at wall, 240° at interface
- Allows 360° rotation of screen in any direction to display screen in landscape or portrait style
- Features post installation screen levelling
- Simple hook-on installation with all mounting hardware included
- Supplied with pin hex security screws for added security
- Retail blister-box
- Clips for cable management included
- New nylon friction brushes



Screen Size	10" - 23"
Max. Weight	15kg (33lbs)
Dist. From Wall	75mm (2.7") - 280mm (11")
VESA Compatibility	75 x 75 100 x 100
Tilt	+17°, -10°
Swivel	180°, 240°
Colours Available	Piano Black, Silver

COMPATIBILITY



FEATURES



Available in
Piano Black, Silver

PACKAGING



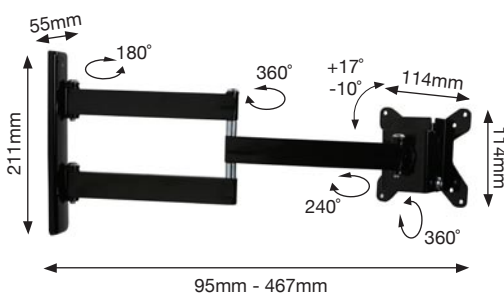
ACCESSORIES

BT7506
BT7502
BT7505
BT7542
BT7590

BT7513

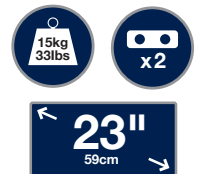
SMALL FLAT SCREEN WALL MOUNT WITH DOUBLE ARM EXTENSION

- Fits 75 x 75mm and 100 x 100mm VESA mounting patterns
- Mounts screen from 95mm - 467mm from wall
- Tilts +17°, -10°
- Three swivel points: 180° at wall, 360° at central pivot & 240° at interface
- Allows 360° rotation of screen in any direction to display screen in landscape or portrait style
- Features post installation screen levelling
- Simple hook-on installation with all mounting hardware included
- Supplied with pin hex security screws for added security
- Retail blister-box
- Clips for cable management included
- New nylon friction brushes



Screen Size	10" - 23"
Max. Weight	15kg (33lbs)
Dist. From Wall	95mm (3.7") - 467mm (17.7")
VESA Compatibility	75 x 75 100 x 100
Tilt	+17°, -10°
Swivel	180°, 360°, 240°
Colours Available	Piano Black, Silver

COMPATIBILITY



FEATURES



Available in
Piano Black, Silver

PACKAGING



ACCESSORIES

BT7506
BT7502
BT7505
BT7542
BT7590

BT7590

QUICK RELEASE LCD/TFT SCREEN MOUNTING ADAPTOR

- Quick release adaptor for LCD / TFT flat screens up to 15kg
- Fits 75 x 75mm and 100 x 100mm VESA mounting patterns
- Allows screen to be quickly and easily removed for storage or use in another location
- 15kg (but does not increase the weight limit of the mount to which the BT7590 is attached)
- Simple installation with all fixings included
- **MUST BE USED WITH VESA 75 x 75mm MOUNT SOLD SEPARATELY**

IDEAL FOR USE IN

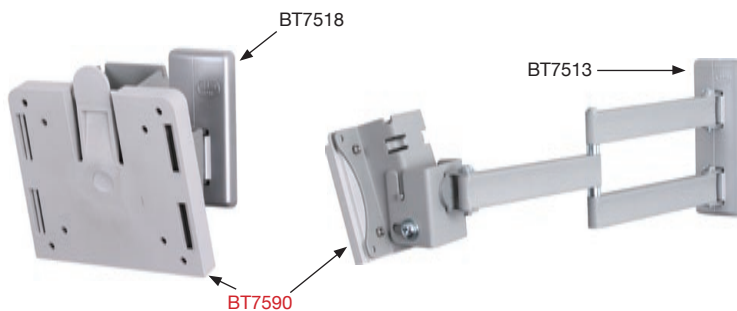
- Boats
- Caravans
- Mobile Homes
- Trucks
- Holiday homes
- Summer houses

HOW IT WORKS

One part of the mount attaches to the screen, the other to a standard VESA 75 x 75mm mount. The two plates then simply slide together and "CLICK" into a secure position. To remove the screen, simply press the locking tab at the top of the mount and slide the screen off the mount.

The locking mechanism makes this mount ideal for use in mobile applications where it is important that the screen is properly secured during transit.

Due to the ease of screen removal, the BT7590 is also ideal for use in areas where security is a concern. The BT7590 allows a screen to be quickly removed for storage in a secure location, ideal for use in low screen usage areas where the best theft prevention method is removal of the screen.



COMPATIBILITY



FEATURES



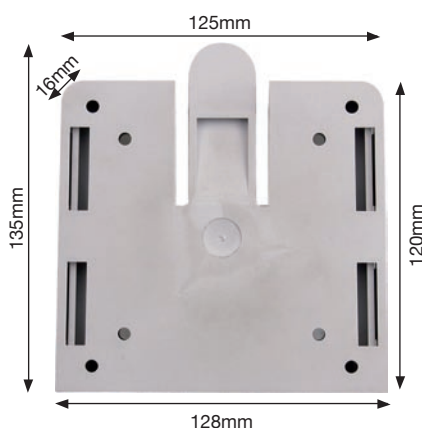
Available in
Silver

PACKAGING



ACCESSORIES

- BT7510
- BT7511
- BT7512
- BT7513
- BT7518
- BT7519
- BT7542



*Measurements show screen interface dimensions

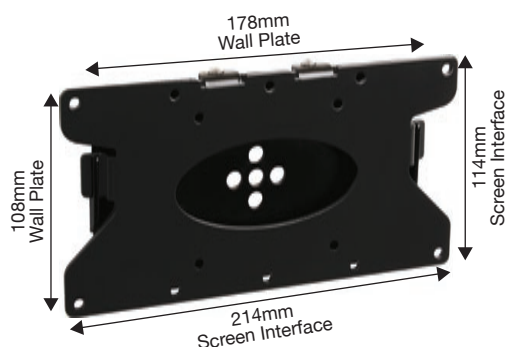
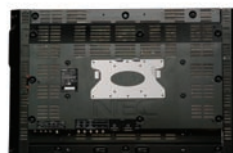
Screen Size	23"
Max. Weight	15kg (33lbs)
VESA Compatibility	75 x 75 100 x 100

Colours Available **Silver**

BT7521

MEDIUM FLAT SCREEN WALL MOUNT LOW PROFILE

- Fits 75 x 75mm, 100 x 100mm and 200 x 100mm VESA mounting patterns
- Mounts screen only 15mm from wall
- Simple hook-on installation with all mounting hardware included
- Supplied with pin hex security screws for added security
- Compatible with B-Tech accessory collars
- Retail blister-box



Screen Size 15" - 32"

Max. Weight 25kg (55lbs)

Dist. From Wall 15mm (0.6")

VESA Compatibility 75 x 75
100 x 100
200 x 100

Colours Available Black, Silver

COMPATIBILITY



FEATURES



Available in
Black, Silver

PACKAGING



ACCESSORIES

BT7502
BT7505
BT7541
BT7542

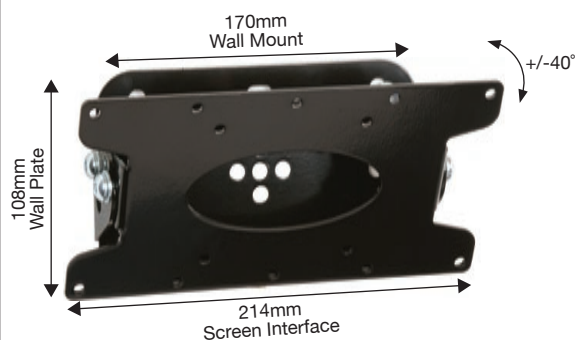
NUMBERS

Registered Design No.
3020005

BT7522

MEDIUM FLAT SCREEN WALL MOUNT WITH TILT

- Fits 75 x 75mm, 100 x 100mm and 200mm x 100mm VESA mounting patterns
- Mounts screen only 45mm from wall
- Tilts +/-40°
- Simple hook-on installation with all mounting hardware included
- Supplied with pin hex security screws for added security
- Compatible with B-Tech accessory collars
- Retail blister-box



Screen Size 15" - 32"

Max. Weight 25kg (55lbs)

Dist. from Wall 50mm (2")

VESA Compatibility 75 x 75
100 x 100
200 x 100

Tilt +/-40°

Colours Available Black, Silver

COMPATIBILITY



FEATURES



Available in
Black, Silver

PACKAGING



ACCESSORIES

BT7502
BT7505
BT7541
BT7542

NUMBERS

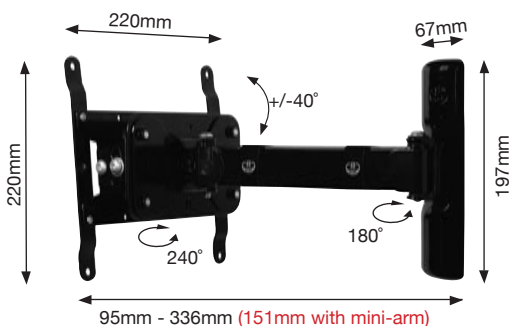
Registered Design No.
3021428

BT7514

MEDIUM FLAT SCREEN WALL MOUNT WITH SINGLE ARM EXTENSION

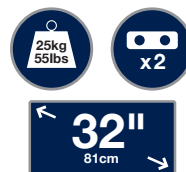
- Fits 75 x 75mm, 100 x 100mm and 200 x 100mm and **200 x 200mm*** VESA mounting patterns
- Mounts screen from 95mm - 336mm from wall
- Tilts +/-40°
- Two swivel points: 180° at wall, 240° at interface
- Features post installation screen levelling at wall plate and screen mount
- Simple hook-on installation with all mounting hardware included
- Supplied with pin hex security screws for added security
- Compatible with B-Tech accessory collars (2 required)

- * 2010 model includes 200 x 200mm extension arms
- * 2010 model includes single arm and optional mini arm



Screen Size	15" - 32"
Max. Weight	25kg (55lbs)
Dist. From Wall	95mm (3.7") - 336mm (13.2")
VESA Compatibility	75 x 75 100 x 100 200 x 100 200 x 200*
Tilt	+/-40°
Swivel	180°, 240°
Colours Available	Piano Black, Silver

COMPATIBILITY



FEATURES



Available in
Piano Black, Silver

PACKAGING



ACCESSORIES

BT7505

NUMBERS

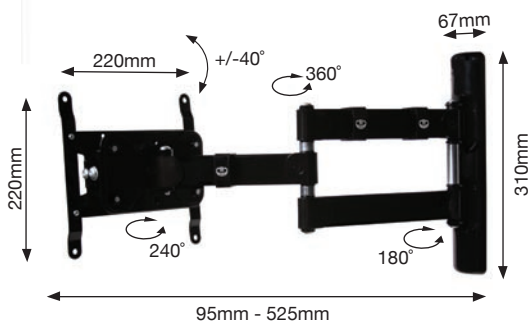
Registered Design No.
302142

BT7515

MEDIUM FLAT SCREEN WALL MOUNT WITH DOUBLE ARM EXTENSION

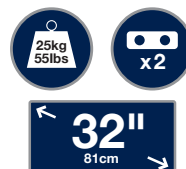
- Fits 75 x 75mm, 100 x 100mm, 200 x 100mm and **200 x 200mm*** VESA mounting patterns
- Mounts screen from 95mm - 525mm from wall
- Tilts +/-40°
- Three swivel points: 180° at wall, 360° at central pivot & 240° interface
- Features post installation screen levelling
- Simple hook-on installation with all mounting hardware included
- Supplied with pin hex security screws for added security
- Compatible with B-Tech accessory collars (2 required)

- * 2010 model includes 200 x 200mm extension arms



Screen Size	15" - 32"
Max. Weight	25kg (55lbs)
Dist. From Wall	95mm (3.7") - 525mm (20.6")
VESA Compatibility	75 x 75 100 x 100 200 x 100 200 x 200*
Tilt	+/-40°
Swivel	180°, 360°, 240°
Colours Available	Piano Black, Silver

COMPATIBILITY



FEATURES



Available in
Piano Black, Silver

PACKAGING



ACCESSORIES

BT7505

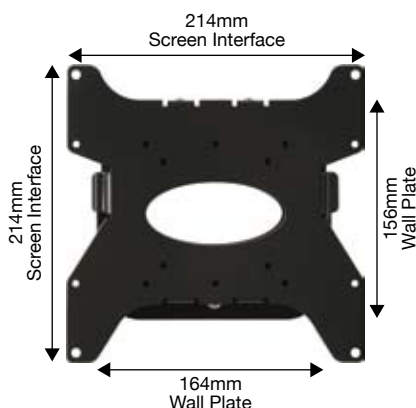
NUMBERS

Registered Design No.
3021918

BT7532

MEDIUM FLAT SCREEN WALL MOUNT LOW PROFILE

- Fits 75 x 75mm, 100 x 100mm, 200 x 100mm and 200 x 200mm VESA mounting patterns
- Mounts screens only 15mm from wall
- Simple hook on installation with all mounting hardware included
- Supplied with pin hex security screws for added security
- Compatible with B-Tech accessory collars (2 required)



Screen Size	15" - 42"
Max. Weight	40kg (88lbs)
Dist. from Wall	15mm (0.6")
VESA Compatibility	75 x 75 100 x 100 200 x 100 200 x 200
Colours Available	Black, Silver

COMPATIBILITY



FEATURES



Available in
Black, Silver

PACKAGING



ACCESSORIES

BT7540
BT7527
BT7508
BT7541

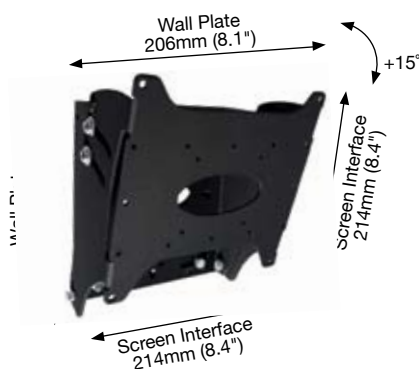
NUMBERS

Registered Design No.
4003129

BT7533

MEDIUM FLAT SCREEN WALL MOUNT WITH TILT

- Fits 75 x 75mm, 100 x 100mm, 200 x 100mm and 200 x 200mm VESA mounting patterns
- Mounts screen only 97mm from wall when flat
- Tilts up to +15° with fixed tilt positions of 0°, 7.5° and 15°
- Supplied with pin hex security screws for added security
- Simple hook on installation with all mounting hardware included
- Compatible with B-Tech accessory collars (2 required)



Screen Size	15" - 42"
Max. Weight	40kg (88lbs)
Dist. from Wall	97mm (3.8")
VESA Compatibility	75 x 75 100 x 100 200 x 100 200 x 200
Tilt	+15°
Colours Available	Black, Silver

COMPATIBILITY



FEATURES



Available in
Black, Silver

PACKAGING



ACCESSORIES

BT7540
BT7527
BT7508
BT7541

NUMBERS

Registered Design No.
4003130

BT7534

MEDIUM FLAT SCREEN WALL MOUNT WITH SINGLE ARM EXTENSION

- Fits 75 x 75mm, 100 x 100mm, 200 x 100mm, 200 x 200mm, 300 x 200mm*, 400 x 200mm*, 200 x 300mm*, 300 x 300mm*, 400 x 300mm* and 400 x 400mm* VESA mounting patterns
- Mounts screens from 136mm - 382mm from wall
- Tilts +/-15°
- Two swivel points: 180° at wall, 240° at interface
- Features post installation screen levelling
- Simple installation with all mounting hardware included
- Supplied with pin hex security screws for added security
- Compatible with B-Tech accessory collars (2 required)
- Clips for cable management included

* 2010 model includes 300 x 200mm, 400 x 200mm, 200 x 300mm, 300 x 300mm, 400 x 300mm and 400 x 400mm extension arms



COMPATIBILITY



FEATURES



Available in **Piano Black, Silver**

PACKAGING

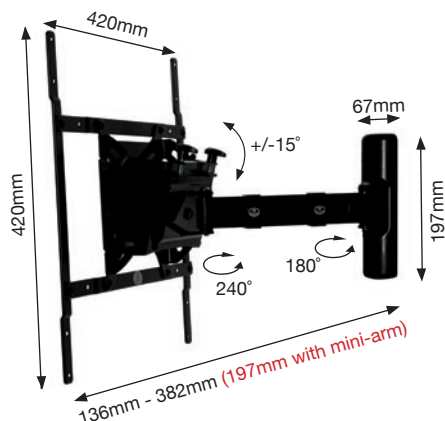
RETAIL

ACCESSORIES

BT7527
BT7508
BT7541

NUMBERS

Registered Design No. 4003131



Screen Size	15" - 50"	
Max. Weight	40kg (88lbs)	
Dist. from Wall	136mm (5.4") - 382mm (15")	
VESA Compatibility	75 x 75	100 x 100
	200 x 100	200 x 200
	300 x 200*	400 x 200*
	200 x 300*	300 x 300*
	400 x 300*	400 x 400*
Tilt	+/-15°	
Swivel	180°, 240°	
Colours Available	Piano Black, Silver	

BT7535

MEDIUM FLAT SCREEN WALL MOUNT WITH DOUBLE ARM EXTENSION

- Fits 75 x 75mm, 100 x 100mm, 200 x 100mm, 200 x 200mm, 300 x 200mm*, 400 x 200mm*, 200 x 300mm*, 300 x 300mm*, 400 x 300mm* and 400 x 400mm* VESA mounting patterns
- Mounts screens from 163mm - 571mm from wall
- Tilts +/-15°
- Three swivel points: 180° at wall, 360° at central pivot & 240° interface
- Features post installation screen levelling
- Simple installation with all mounting hardware included
- Supplied with pin hex security screws for added security
- Compatible with B-Tech accessory collars (2 required)
- Clips for cable management included

* 2010 model includes 300 x 200mm, 400 x 200mm, 200 x 300mm, 300 x 300mm, 400 x 300mm and 400 x 400mm extension arms



COMPATIBILITY



FEATURES



Available in **Piano Black, Silver**

PACKAGING

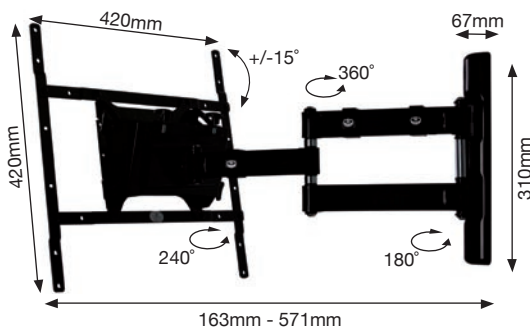
RETAIL

ACCESSORIES

BT7527
BT7508
BT7541

NUMBERS

Registered Design No. 4003132

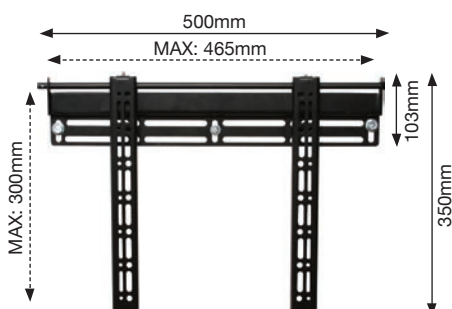


Screen Size	15" - 50"	
Max. Weight	40kg (88lbs)	
Dist. from Wall	163mm (6.4") - 571mm (22.5")	
VESA Compatibility	75 x 75	100 x 100
	200 x 100	200 x 200
	300 x 200*	400 x 200*
	200 x 300*	300 x 300*
	400 x 300*	400 x 400*
Tilt	+/-15°	
Swivel	180°, 360°, 240°	
Colours Available	Piano Black, Silver	

BT8421

MEDIUM FLAT SCREEN WALL MOUNT

- Suitable for VESA & Non-VESA screens up to 37"
- Mounts screen only 30mm from wall
- Suitable for concrete / brick or stud walls up to 16"
- Includes locking bar for secure installation
- Simple hook-on installation with all mounting hardware included
- Post-installation screen alignment
- Revised interface fixings for improved screen compatibility



Screen Size	22" - 37"	
Max. Weight	35kg (77lbs)	
Dist. From Wall	30mm (1.2")	
Max. Dist. Between Fixings	H: 465mm (18.3")	V: 300mm (11.8")
VESA	75 x 75	200 x 300
	100 x 100	300 x 300
	200 x 100	400 x 200
	200 x 200	400 x 300
	300 x 200	

Colours Available **Black**

COMPATIBILITY

35kg
77lbs

37"
94cm

FEATURES



Available in
Black

PACKAGING



ACCESSORIES

**Security Fasteners
BT7895**

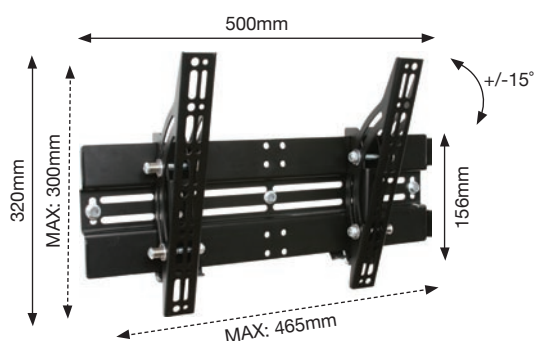
NUMBERS

Registered Design No.
3021713

BT8431

MEDIUM FLAT SCREEN WALL MOUNT WITH TILT

- Suitable for VESA & Non-VESA screens up to 37"
 - Mounts screen only 80mm from wall
 - Features new torsion tilt mechanism for +/-15° tilt
 - Suitable for concrete / brick or stud walls up to 16"
 - Includes locking bars for secure installation
 - Simple hook-on installation with all mounting hardware included
 - Post-installation screen alignment
 - Revised interface fixings for improved screen compatibility
- * For mounting to single vertical pole use BT8435 or BT8436 collar kit
* For twin pole trolley mounting use 2 x BT7060



Screen Size	22" - 37"	
Max. Weight	35kg (77lbs)	
Dist. from Wall	80mm (3.1")	
Max. Dist. Between Fixings	H: 465mm (18.3")	V: 300mm (11.8")
VESA	75 x 75	200 x 300
	100 x 100	300 x 300
	200 x 100	400 x 200
	200 x 200	400 x 300
	300 x 200	
Tilt	+/-15°	
Colours Available	Black	

COMPATIBILITY

35kg
77lbs

x2

37"
94cm

FEATURES



Available in
Black

PACKAGING



ACCESSORIES

**Security Fasteners
BT8435
BT8436
BT7895
BT7051 / BT7060**

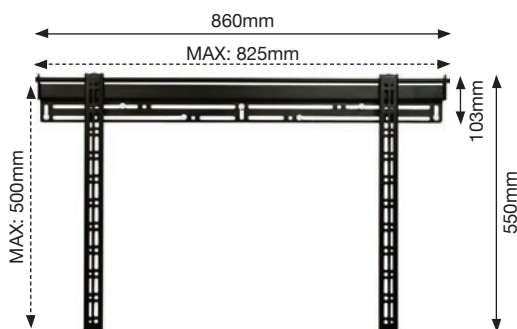
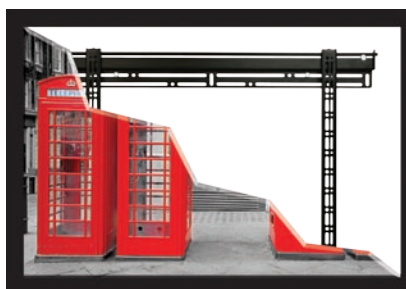
NUMBERS

Registered Design No.
3021714
Patent Application No.
08 170 23.5

BT8422

LARGE FLAT SCREEN WALL MOUNT

- Suitable for VESA & Non-VESA screens between 37" – 61"
- Mounts screen only 30mm from wall
- Suitable for concrete / brick or stud walls
- Includes locking bar for secure installation
- Simple hook-on installation with all mounting hardware included
- Post-installation screen alignment
- Revised interface fixings for improved screen compatibility



Screen Size	37" - 61"	
Max. Weight	70kg (154lbs)	
Dist. From Wall	30mm (1.2")	
Max. Dist. Between Fixings	H: 825mm (32.5")	V: 500mm (19.7")
VESA	75 x 75	200 x 300
	100 x 100	300 x 300
	200 x 100	400 x 400
	200 x 200	600 x 400
	300 x 200	800 x 400
	400 x 200	800 x 500

Colours Available **Black**

COMPATIBILITY



FEATURES



Available in
Black

PACKAGING



ACCESSORIES

**Security Fasteners
BT7895**

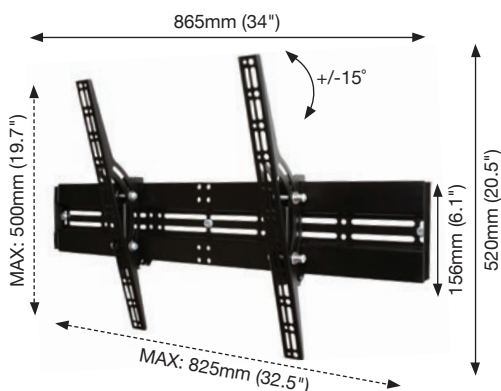
NUMBERS

Registered Design No.
3021713

BT8432

LARGE FLAT SCREEN WALL MOUNT WITH TILT

- Suitable for VESA & Non-VESA screens between 37" – 61"
 - Mounts screen only 80mm from wall
 - Features new torsion tilt mechanism for +/-15° tilt
 - Suitable for concrete / brick or stud walls
 - Includes locking bar for secure installation
 - Simple hook-on installation with all mounting hardware included
 - Post-installation screen alignment
 - Revised interface fixings for improved screen compatibility
- * For mounting to single vertical pole use BT8435 or BT8436 collar kit
* For twin pole trolley mounting use 2 x BT7060



Screen Size	37" - 61"	
Max. Weight	70kg (154lbs)	
Dist. From Wall	80mm (3.1")	
Max. Dist. Between Fixings	H: 825mm (32.5")	V: 500mm (19.7")
VESA	75 x 75	200 x 300
	100 x 100	300 x 300
	200 x 100	400 x 400
	200 x 200	600 x 400
	300 x 200	800 x 400
	400 x 200	800 x 500
Tilt	+/-15°	
Colours Available	Black	

COMPATIBILITY



FEATURES



Available in
Black

PACKAGING



ACCESSORIES

**Security Fasteners
BT8435
BT8436
BT7895
BT7051 / BT7060**

NUMBERS

Registered Design No.
3021714

Patent Application No.
08 170 23.5

BT8413

HEAVY DUTY FLAT PANEL WALL MOUNT WITH SINGLE ARM EXTENSION

- Suitable for VESA & Non-VESA screens between 32" – 61"
- Mounts screens from 160mm - 500mm from wall
- Tilts +/-15°
- Two swivel points: 180° at wall, 240° at interface
- Horizontal screen levelling & screen can be mounted in landscape or portrait orientation
- Suitable for concrete / brick or stud walls up to 16"
- Choice of 5 arm mounting positions on wall plate
- Features post installation screen levelling
- Simple installation with all mounting hardware included
- Includes universal flat screen Interface Kit



COMPATIBILITY



FEATURES



Available in
Black, Silver

PACKAGING

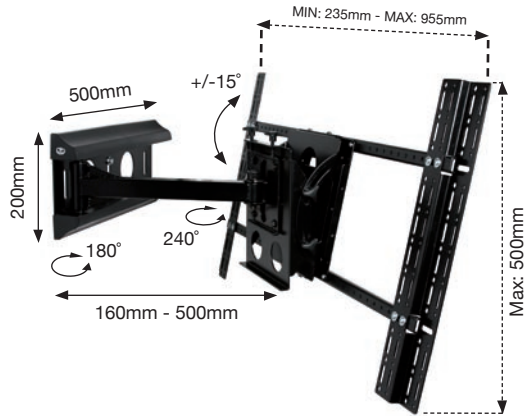


ACCESSORIES

Security Fasteners

NUMBERS

Registered Design No.
3015405



Screen Size	32" - 61"	
Max. Weight	70kg (154lbs)	
Dist. From Wall	160mm (6.3") - 500mm (19.7")	
Max. Dist. Between Fixings	H: 284mm (11.2") - 970mm (38.2") V: 500mm (19.7")	
Tilt	+/-15°	
Swivel	180°, 240°	
VESA	75 x 75 100 x 100 200 x 100 200 x 200 400 x 200 300 x 200	300 x 300 400 x 400 600 x 400 800 x 400 800 x 500

Colours Available **Black, Silver**

BT8412

HEAVY DUTY FLAT PANEL WALL MOUNT WITH DOUBLE ARM EXTENSION

- Suitable for VESA & Non-VESA screens between 32" – 61"
- Mounts screens from 160mm - 830mm from wall
- Tilts +/-15°
- Three swivel points: 180° at wall, 360° at central pivot & 240° interface
- Horizontal screen levelling & screen can be mounted in landscape or portrait orientation
- Suitable for concrete / brick or stud walls up to 16"
- Choice of 5 arm mounting positions on wall plate
- Features post installation screen levelling
- Simple installation with all mounting hardware included
- Includes universal flat screen Interface Kit



COMPATIBILITY



FEATURES



Available in
Black, Silver

PACKAGING

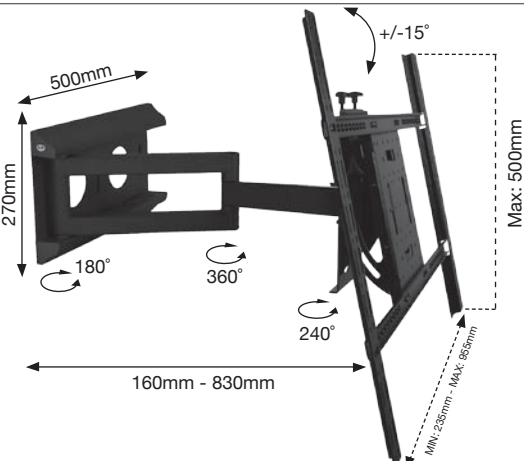


ACCESSORIES

Security Fasteners

NUMBERS

Registered Design No.
3015405



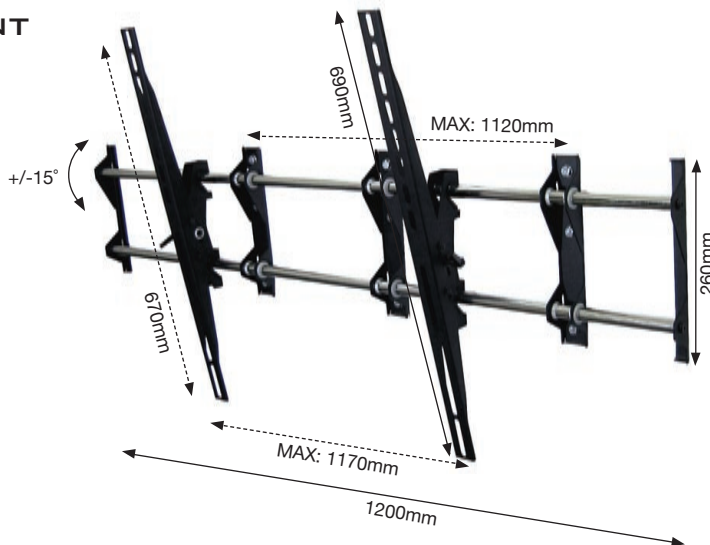
Screen Size	32" - 61"	
Max. Weight	70kg (154lbs)	
Dist. From Wall	160mm (6.3") - 830mm (32.6")	
Max. Dist. Between Fixings	H: 284mm (11.2") - 970mm (38.2") V: 500mm (19.7")	
Tilt	+/-15°	
Swivel	180°, 360°, 240°	
VESA	75 x 75 100 x 100 200 x 100 200 x 200 400 x 200 300 x 200	300 x 300 400 x 400 600 x 400 800 x 400 800 x 500

Colours Available **Black, Silver**

BT9904

X-LARGE FLAT SCREEN WALL MOUNT WITH TILT

- Suitable for VESA & Non-VESA screens between 57" – 82"
- Mounts screen only 80mm from wall
- Tilts +/-15°
- Suitable for concrete / brick or stud walls up to 32"
- Simple hook-on installation with all mounting hardware included



Screen Size 57" - 82"

Max. Weight 113kg (250lbs)

Distance From Wall 80mm (3.1")

Max. Distance Between Fixings H: 1170mm (46")
V: 670mm (23.6")

Tilt +/-15°

VESA	200 x 200	600 x 400
	400 x 200	800 x 400
	300 x 200	800 x 500
	300 x 300	800 x 600
	400 x 400	

Colours Available Black

COMPATIBILITY



PACKAGING



FEATURES



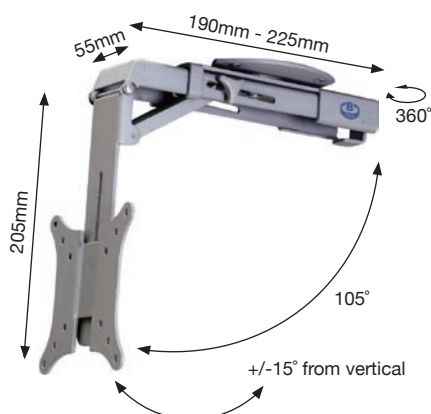
ACCESSORIES

Security Fasteners

BT7525

UNDER CABINET SMALL FLAT SCREEN MOUNT

- Fits 50 x 50mm, 75 x 75mm and 100 x 100mm VESA mounting patterns
- Mounts flat screens under cabinets and shelves - ideal for use in the kitchen
- Slide-out and flip-down action
- Tilts +/-15° from vertical and swivels 360°
- Simple installation with all mounting hardware included
- Additional separate interface for cupboards with pelmets



Screen Size 10" - 17"

Max. Weight 10kg (22lbs)

VESA Compatibility 50 x 50
75 x 75
100 x 100

Tilt +/-15°

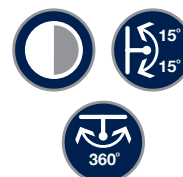
Swivel 360°

Colours Available Silver, White

COMPATIBILITY



FEATURES



Available in Silver, White

PACKAGING



ACCESSORIES

BT7506
Security Fasteners

NUMBERS

Registered Design No.
3021678

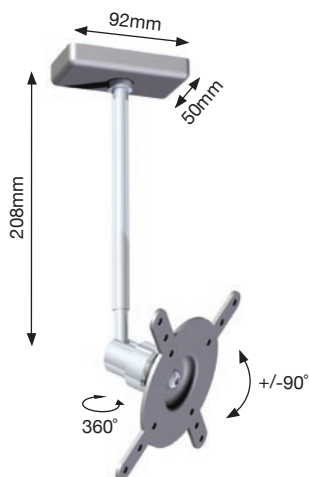
BT7581

SMALL FLAT SCREEN CEILING MOUNT WITH TILT AND SWIVEL

- Fits 50 x 50mm, 75 x 75mm and 100 x 100mm VESA mounting patterns
- Fixed Ceiling drop of 208mm to centre of VESA plate
- 360° Swivel at mount
- +/- 90° Tilt
- Cover plates included for smart installation



NEW FOR 2010



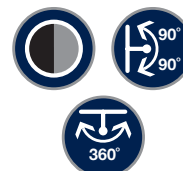
Screen Size	10" - 23"
Max. Weight	10kg (22lbs)
VESA Compatibility	50 x 50 75 x 75 100 x 100
Tilt	+/-50°, +/-90°
Swivel	360°

Colours Available Black, Silver

COMPATIBILITY



FEATURES



Available in
Black, Silver

PACKAGING



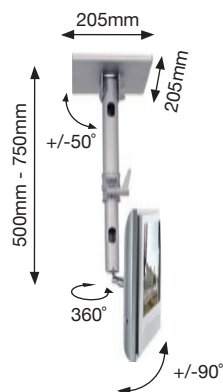
ACCESSORIES

Security Fasteners
BT7506
BT7502
BT7505
BT7590

BT7582

SMALL FLAT SCREEN CEILING MOUNT WITH TILT AND SWIVEL

- Fits 50 x 50mm, 75 x 75mm and 100 x 100mm VESA mounting patterns
- Adjustable ceiling drop: 500mm - 750mm
- Upper tube diameter: 42mm
- Lower tube diameter: 35mm
- +/-50° Tilt of pole for angled ceilings
- 360° Swivel at mount +/-90° Tilt facility
- Hand lever allows easy adjustment of ceiling drop
- Safety wire for extra security
- Cable management
- Coverplates included for smart installation



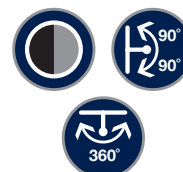
Screen Size	10" - 23"
Max. Weight	10kg (22lbs)
VESA Compatibility	50 x 50 75 x 75 100 x 100
Tilt	+/-50°, +/-90°
Swivel	360°

Colours Available Black, Silver

COMPATIBILITY



FEATURES



Available in
Black, Silver

PACKAGING



ACCESSORIES

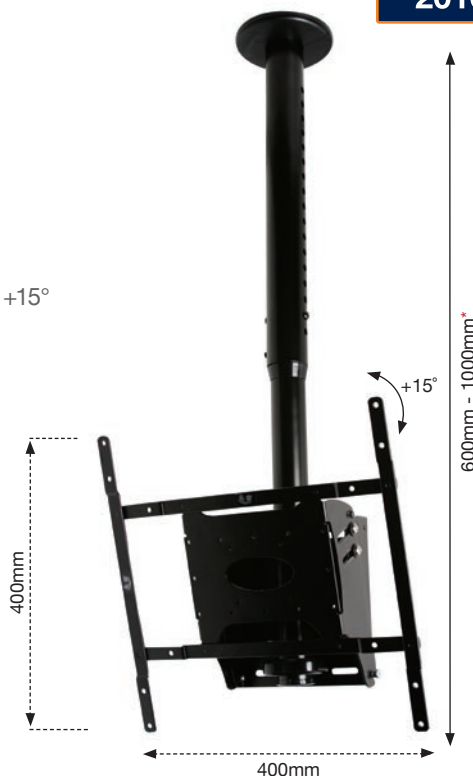
Security Fasteners
BT7506
BT7502
BT7505
BT7590

BT8426

TELESCOPIC FLAT SCREEN CEILING MOUNT

- Suitable for screens between 15" - 42"
- Cable Management
- Coverplate included for smart installation
- Mounts screen in landscape or portrait
- Simple hook on installation with all mounting hardware included
- Ceiling plate diameter: 150mm with cover plate
- Ceiling drop: 600mm - 1000mm in 25mm increments
- Tilts up to +15° with fixed tilt positions of 0°, +7.5° and +15°

NEW FOR 2010



* From top of ceiling plate to bottom of pole

Screen Size 15" - 42"

Max. Weight 40kg (88lbs)

Tilt +15°

VESA	75 x 75	300 x 200
	100 x 100	200 x 300
	200 x 100	400 x 200
	200 x 200	400 x 400

Colours Available Black, Silver



COMPATIBILITY

40kg
88lbs

42"
107cm

FEATURES



Available in
Black, Silver

PACKAGING

RETAIL

ACCESSORIES

Security Fasteners
BT7540
BT7508
BT7823-Pole Joiner
BT7850-Pole

NUMBERS

Registered Design No.
4010378

BT8427

TELESCOPIC FLAT SCREEN CEILING MOUNT

- Suitable for screens between 30" - 50"
- Cable management
- Coverplate included for smart installation
- Mounts screen in landscape or portrait style
- Simple hook-on installation with all mounting hardware included
- Ceiling plate diameter: 150mm with cover plate
- Ceiling drop: 745mm - 1000mm in 25mm increments
- Tilts up to +20° down with fixed positions of 0°, +15° and +20°
- Includes universal flat screen Interface Kit

Screen Size 30" - 50"

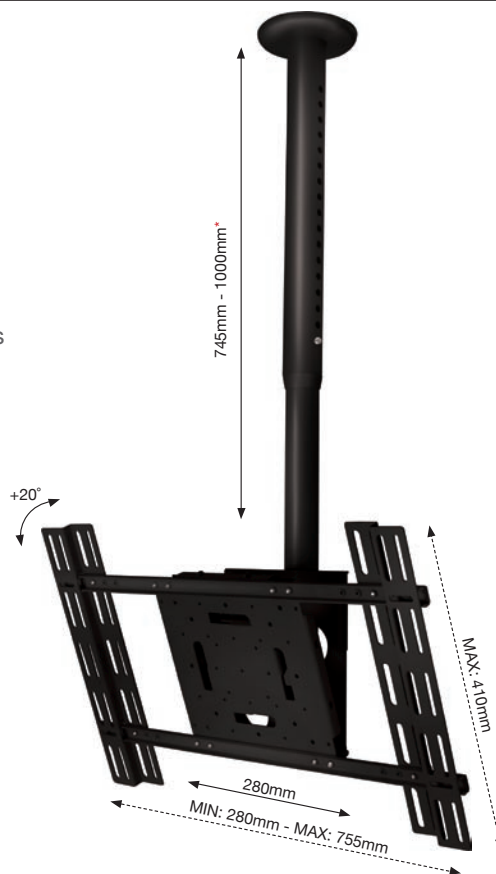
Max. Weight 70kg (154lbs)

Max. Dist. Between Fixings
H: 280mm (11") - 755mm (29.7")
V: 410mm (16.1")

Tilt +20°

VESA	75 x 75	400 x 200
	100 x 100	300 x 300
	200 x 100	400 x 400
	200 x 200	600 x 400
	300 x 200	

Colours Available Black, Silver



* From top of ceiling plate to bottom of pole

COMPATIBILITY

70kg
154lbs

50"
127cm

FEATURES



Available in
Black, Silver

PACKAGING

RETAIL

















ACCESSORIES

Security Fasteners
BT7823-Pole Joiner
BT7850-Pole

NUMBERS











Registered Design No.
4010380

B-TECH FLAT SCREEN MOUNTS - FIXING COMPATIBILITY CHART

	Reference No.	Function	Max. Screen Size	Max. Weight	VESA Mounting Patterns	Universal Mounting Patterns	Colors Available	Page
	BT7510	Fixed	23"	20kg (44lbs)	50 x 50, 75 x 75, 100 x 100		Black, Silver	8
	BT7511	Tilt	23"	20kg (44lbs)	75 x 75, 100 x 100		Black, Silver	8
	BT7518	Tilt & Swivel	23"	20kg (44lbs)	75 x 75, 100 x 100		Piano Black, Silver	9
	BT7519	Tilt & Swivel	23"	15kg (33lbs)	50 x 50, 75 x 75, 100 x 100		Black, Silver, Chrome	9
	BT7512	Single Arm	23"	15kg (33lbs)	75 x 75, 100 x 100		Piano Black, Silver	10
	BT7513	Articulated Arm	23"	15kg (33lbs)	75 x 75, 100 x 100		Piano Black, Silver	10
	BT7525	Under cabinet mount	17"	10kg (22lbs)	50 x 50, 75 x 75, 100 x 100		Silver, White	19
	BT7581	Ceiling Mount	23"	10kg (22lbs)	50 x 50, 75 x 75, 100 x 100		Black, Silver	20
	BT7582	Ceiling Mount	23"	10kg (22lbs)	50 x 50, 75 x 75, 100 x 100		Black, Silver	20
	BT7521	Fixed	32"	25kg (55lbs)	75 x 75, 100 x 100, 200 x 100		Black, Silver	12
	BT7522	Tilt	32"	25kg (55lbs)	75 x 75, 100 x 100, 200 x 100		Black, Silver	12
	BT7514	Single Arm	32"	25kg (55lbs)	75 x 75, 100 x 100, 200 x 100 (200 x 200, 2010 Model)		Piano Black, Silver	13
	BT7515	Articulated Arm	32"	25kg (55lbs)	75 x 75, 100 x 100, 200 x 100 (200 x 200, 2010 Model)		Piano Black, Silver	13
	BT7532	Fixed	42"	40kg (88lbs)	75 x 75, 100 x 100, 200 x 100, 200 x 200		Black, Silver	14
	BT7533	Tilt	42"	40kg (88lbs)	75 x 75, 100 x 100, 200 x 100, 200 x 200,		Black, Silver	14
	BT7534	Single Arm	50"	40kg (88lbs)	75 x 75, 100 x 100, 200 x 100, 200 x 200 (200 x 300, 300 x 200, 400 x 200, 300 x 300, 400 x 300, 400 x 400, 2010 Model)		Piano Black, Silver	15

STANDARD

MEDIUM

	BT7535	Articulated Arm	50"	40kg (88lbs)	75 x 75, 100 x 100, 200 x 100, 200 x 200, 200 x 300, 300 x 200, 300 x 300, 400 x 200, 400 x 300, 400 x 400 2010 Model)	Piano Black, Silver	15
	BT8421	Fixed	37"	35kg (77lbs)	75 x 75, 100 x 100, 200 x 100, 200 x 200, 200 x 300, 300 x 200, 300 x 300, 400 x 200, 400 x 300	Black	16
	BT8431	Tilt	37"	35kg (77lbs)	75 x 75, 100 x 100, 200 x 100, 200 x 200, 200 x 300, 300 x 200, 300 x 300, 400 x 200, 400 x 300, 400 x 400	Black	16
	BT8422	Fixed	61"	70kg (154lbs)	75 x 75, 100 x 100, 200 x 100, 200 x 200, 200 x 300, 300 x 200, 300 x 300, 400 x 200, 400 x 400, 600 x 400, 800 x 400, 800 x 500	Black	17
	BT8432	Tilt	61"	70kg (154lbs)	75 x 75, 100 x 100, 200 x 100, 200 x 200, 200 x 300, 300 x 200, 300 x 300, 400 x 200, 400 x 400, 600 x 400, 800 x 400, 800 x 500S	Black	17
	BT8413	Single Arm	60"	70kg (154lbs)	75 x 75, 100 x 100, 200 x 100, 200 x 200, 200 x 300, 300 x 200, 300 x 300, 400 x 200, 400 x 400, 600 x 400, 800 x 400, 800 x 500	Black, Silver	18
	BT8412	Articulated Arm	60"	70kg (154lbs)	75 x 75, 100 x 100, 200 x 100, 200 x 200, 200 x 300, 300 x 200, 300 x 300, 400 x 200, 400 x 400, 600 x 400, 800 x 400, 800 x 500	Black, Silver	18
	BT8426	Ceiling Mount	50"	40kg (88lbs)	75 x 75, 100 x 100, 200 x 100, 200 x 200, 200 x 300, 300 x 200, 300 x 300, 400 x 200, 400 x 400, 600 x 400, 800 x 400, 800 x 500	Black, Silver	21
	BT8427	Ceiling Mount	50"	70kg (150lbs)	75 x 75, 100 x 100, 200 x 100, 200 x 200, 200 x 300, 300 x 200, 300 x 300, 400 x 200, 400 x 400, 600 x 400	Black, Silver	21
	BT9904	Tilt	72"	113kg (249lbs)	200 x 200, 400 x 200, 300 x 200, 300 x 300, 400 x 200, 400 x 300, 400 x 400, 800 x 400, 800 x 500, 800 x 600	Black	19

LARGE

X-LARGE

BT7332

AVIBALL FLAT SCREEN DESK MOUNT FOR 2 SCREENS WITH GLASS BASE

- Suitable for screens using 50 x 50mm, 75 x 75mm and 100 x 100mm VESA mounting patterns
- Designed to hold 2 screens up to 22" Widescreen (Max 15kg per screen)
- Glass base provides a stylish storage area under the screen to hold a keyboard when not in use
- Lateral screen adjustment along horizontal rail for optimum screen positioning
- Easy tilt and swivel adjustment 37° in any direction
- Base made from 10mm thick, tempered safety glass with non slip rubber feet
- Cable management and pole end ring included for smart installation
- All fixings included

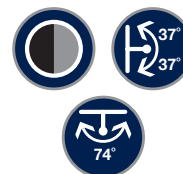


COMPATIBILITY

30kg
66lbs

22"
55cm

FEATURES



Available in
Black, Silver

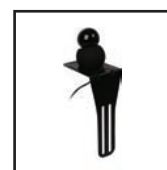
PACKAGING

PRO

ACCESSORIES

Security Fasteners
BT7590
BT7506
BT7502

BT7340
Webcam Shelf



NUMBERS

Registered Design No.
4010372

Patent No: 2437850B



Screen Size	22"
Max. Weight	30kg (66lbs)
VESA Compatibility	50 x 50 75 x 75 100 x 100
Tilt	+/-37°
Swivel	+/-37°

Colours Available Silver Pole, Clear Base OR
Black Pole, Black Base



**SEE PAGES 94-99
FOR MORE DESK MOUNTING SOLUTIONS**

BT7333

AVIBALL FLAT SCREEN DESK MOUNT FOR 3 SCREENS WITH GLASS BASE

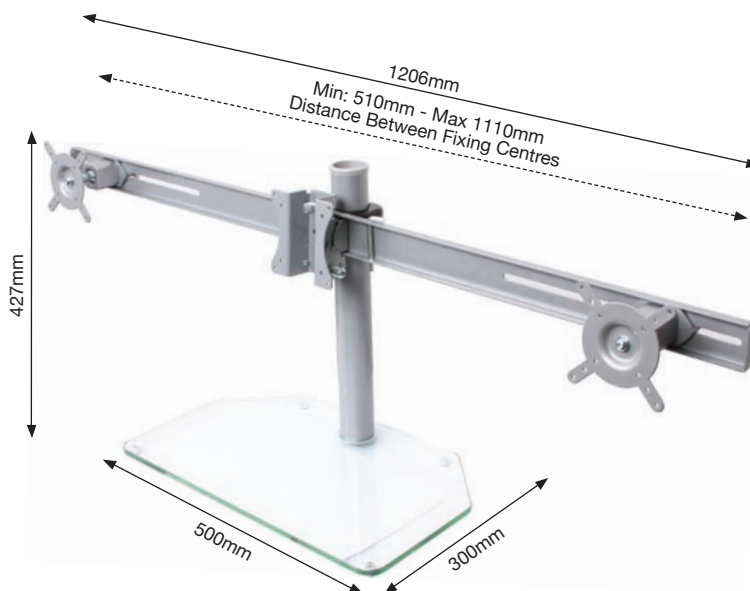


- Suitable for screens using 75 x 75mm and 100 x 100mm VESA mounting patterns
 - Designed to hold 3 screens up to 22" Widescreen (Max 15kg per screen)
 - Glass base provides a stylish storage area under the screen to hold a keyboard when not in use
 - Lateral screen adjustment along horizontal rail for optimum screen positioning
 - Easy tilt and swivel adjustment 37° in any direction
 - Base made from 10mm thick, tempered safety glass with non slip rubber feet
 - Cable management and pole end ring included for smart installation
 - All fixings included
- * Centre interface tilt function is +15° / -10° with no swivel



Screen Size	22"
Max. Weight	45kg (99lbs)
VESA Compatibility	75 x 75 100 x 100
Tilt	+/-37° (+15° / -10°)*
Swivel	+/-37°

Colours Available Silver Pole, Clear Base OR Black Pole, Black Base



COMPATIBILITY

45kg
99lbs

22"
55cm

FEATURES



Available in
Black, Silver

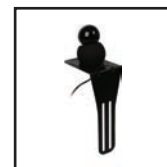
PACKAGING

PRO

ACCESSORIES

Security Fasteners
BT7590
BT7506
BT7502

BT7340
Webcam Shelf



NUMBERS

Registered Design No.
4010388

Patent No: 2437850B

**SEE PAGES 94-99
FOR MORE DESK MOUNTING SOLUTIONS**



FLAT SCREEN MOUNTS

The Ventry range features low cost alternatives to the comprehensive Mountlogic Range. All products are designed to securely support flat screens whilst offering excellent value for money and universal screen compatibility.

Ventry[™]
r a n g e

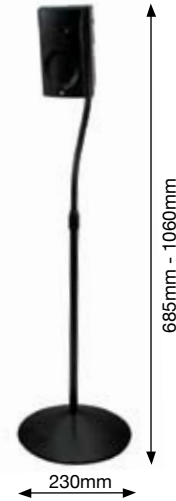
BTV910

HOME CINEMA SPEAKER STAND

- Floor stands designed for small home cinema / satellite speakers
- Quick and simple 3 step installation
- Cable management for a clean and tidy appearance
- Supplied with a dual point adaptor – alternative platform also included
- All necessary fixings and mounting hardware included
- Adjustable height for optimal speaker positioning: 685mm - 1060mm
- Max weight of speakers 2kg
- **SUPPLIED IN PAIRS**



Distance Between Dual Point Fixings
MIN: 45mm - MAX: 67mm



COMPATIBILITY



FEATURES



Available in
Black

PACKAGING



BTV110

FLAT SCREEN WALL MOUNT

- Fits 75 x 75mm and 100 x 100mm VESA mounting patterns
- Mounts screen only 15mm from wall
- Locking screw provided to prevent screen removal
- Simple hook-on installation with all mounting hardware included



Screen Size	10" - 23"
Max. Weight	20kg (44lbs)
Dist. From Wall	15mm (0.6")
VESA Compatibility	75 x 75 100 x 100
Colours Available	Black



COMPATIBILITY



FEATURES



Available in
Black

PACKAGING



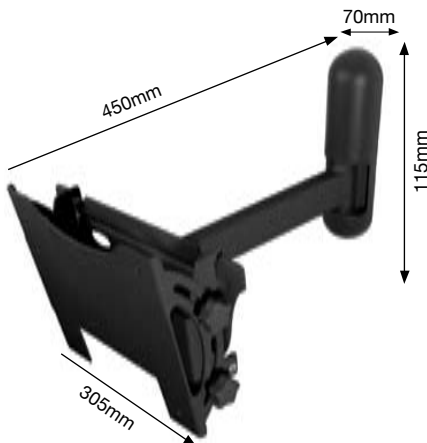
NUMBERS

Registered Design No:
566831-0001

BTV222

FLAT SCREEN WALL MOUNT WITH SWING ARM EXTENSION

- Fits 50 x 50mm, 75 x 75mm, 100 x 100mm, 200 x 100mm and 200mm x 200mm VESA mounting patterns
- Mounts screens 450mm from wall
- Tilts +/-15°
- Two swivel points: 180° at wall, 240° at interface
- Simple installation with all mounting hardware included



Screen Size	15" - 45"
Max. Weight	40kg (88lbs)
Dist. From Wall	450mm (17.7")
Tilt	+/-15°
VESA Compatibility	50 x 50 75 x 75 100 x 100 200 x 100 200 x 200



Colours Available **Black**

COMPATIBILITY



FEATURES



Available in
Black, Silver

PACKAGING



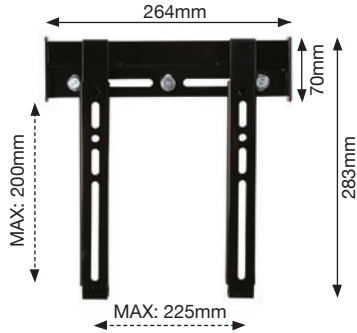
NUMBERS

Registered Design No:
566831-0005

BTV500

MEDIUM FLAT SCREEN WALL MOUNT

- Suitable for VESA screens up to 42"
- Mounts screen only 20mm from wall
- Suitable for concrete, brick or stud walls up to 10"
- Post-installation screen alignment
- Simple hook-on installation with all mounting hardware included



Screen Size	15" - 42"	
Max. Weight	40kg (88lbs)	
VESA Compatibility	50 x 50	200 x 100
	75 x 75	200 x 200
	100 x 100	
Dist. From Wall	20mm (0.8")	
Max. Distance Between Fixings	H: 225mm (8.6")	V: 200mm (7.9")

Colours Available **Black**

COMPATIBILITY

40kg
88lbs

42"
107cm

FEATURES



Available in
Black

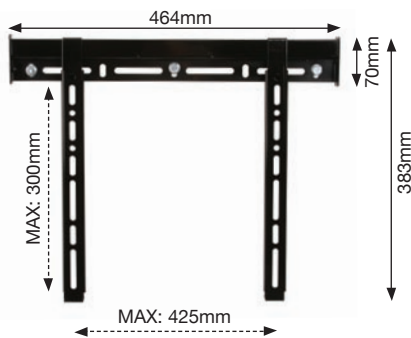
PACKAGING

RETAIL

BTV510

LARGE FLAT SCREEN WALL MOUNT

- Suitable for VESA and Non-VESA screens up to 52"
- Mounts screen only 20mm from wall
- Suitable for concrete, brick or stud walls up to 16"
- Post-installation screen alignment
- Simple hook-on installation with all mounting hardware included



Screen Size	22" - 52"	
Max. Weight	50kg (110lbs)	
VESA Compatibility	50 x 50	300 x 200
	75 x 75	200 x 300
	100 x 100	300 x 300
	200 x 100	400 x 200
	200 x 200	
Dist. From Wall	20mm (0.8")	
Max. Distance Between Fixings	H: 425mm	V: 300mm

Colours Available **Black**

COMPATIBILITY

50kg
110lbs

52"
132cm

FEATURES



Available in
Black

PACKAGING

RETAIL

BTV520

X-LARGE FLAT SCREEN WALL MOUNT

- Suitable for VESA and Non-VESA screens up to 63"
- Mounts screen only 20mm from wall
- Suitable for concrete, brick or stud walls up to 32"
- Post-installation screen alignment
- Simple hook-on installation with all mounting hardware included



Screen Size	37" - 63"	
Max. Weight	70kg (154lbs)	
VESA Compatibility	50 x 50	300 x 300
	75 x 75	400 x 200
	100 x 100	400 x 400
	200 x 100	600 x 400
	200 x 200	800 x 400
	200 x 300	800 x 500
Dist. From Wall	20mm (0.8")	
Max. Distance Between Fixings	H: 825mm	V: 500mm

Colours Available **Black**

COMPATIBILITY

70kg
154lbs

63"
160cm

FEATURES



Available in
Black

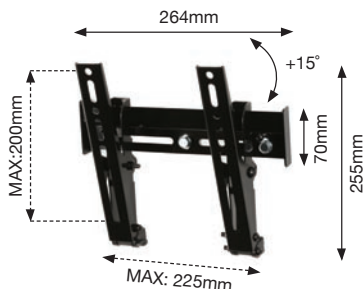
PACKAGING

RETAIL

BTV501

MEDIUM FLAT SCREEN WALL MOUNT WITH TILT

- Suitable for VESA screens up to 42"
- Mounts screen only 44mm from wall
- 5 fixed tilt positions up to +15°
- Suitable for concrete, brick or stud walls up to 10"
- Post-installation screen alignment
- Simple hook-on installation with all mounting hardware included



Screen Size	15" - 42"	
Max. Weight	40kg (88lbs)	
VESA Compatibility	50 x 50 75 x 75 100 x 100	200 x 100 200 x 200
Dist. From Wall	44mm	
Max. Distance Between Fixings	H: 225mm	V: 200mm
Tilt	+15°	
Colours Available	Black	

COMPATIBILITY



FEATURES



Available in **Black**

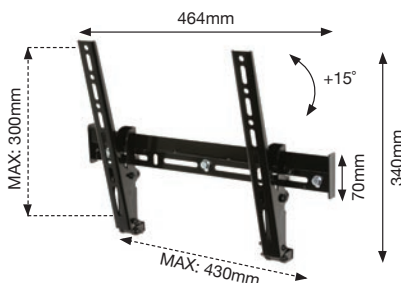
PACKAGING

RETAIL

BTV511

LARGE FLAT SCREEN WALL MOUNT WITH TILT

- Suitable for VESA and Non-VESA screens up to 52"
- Mounts screen only 44mm from wall
- 5 fixed tilt positions up to 15°
- Suitable for concrete, brick or stud walls up to 16"
- Post-installation screen alignment
- Simple hook-on installation with all mounting hardware included



Screen Size	22" - 52"	
Max. Weight	50kg (110lbs)	
VESA Compatibility	50 x 50 75 x 75 100 x 100 200 x 100 200 x 200	300 x 200 200 x 300 300 x 300 400 x 200
Dist. From Wall	44mm	
Max. Distance Between Fixings	H: 430mm	V: 300mm
Tilt	+15°	
Colours Available	Black	

COMPATIBILITY



FEATURES



Available in **Black**

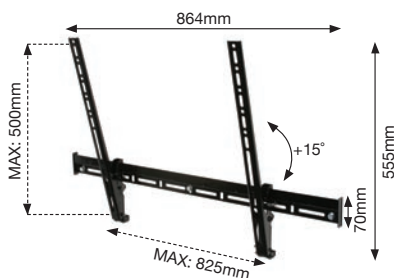
PACKAGING

RETAIL

BTV521

X-LARGE FLAT SCREEN WALL MOUNT WITH TILT

- Suitable for VESA and Non-VESA screens up to 63"
- Mounts screen only 44mm from wall
- 5 fixed tilt positions up to 15°
- Suitable for concrete, brick or stud walls up to 32"
- Post-installation screen alignment
- Simple hook-on installation with all mounting hardware included



Screen Size	37" - 63"	
Max. Weight	70kg (154lbs)	
VESA Compatibility	50 x 50 75 x 75 100 x 100 200 x 100 200 x 200 200 x 300	300 x 300 400 x 200 400 x 400 600 x 400 800 x 400 800 x 500
Dist. From Wall	44mm	
Max. Distance Between Fixings	H: 825mm	V: 500mm
Tilt	+15°	
Colours Available	Black	

COMPATIBILITY



FEATURES



Available in **Black**

PACKAGING

RETAIL



FLAT SCREEN MOUNTING ADAPTORS

An extensive range of adaptor plates that can be used in conjunction with any VESA compatible mount. These adaptors allow increased VESA fixing compatibility or allow for non-VESA screens to be mounted on VESA standard mounts.

mountlogic[®]
range

B-Tech offer an extensive range of adaptor plates that can be used in conjunction with the B-Tech range of flat screen wall mounts. B-Tech also offer a range of adaptors for specific sets where the mounting points are positioned in a way that requires a non universal mounting solution.

BT7506

VESA ADAPTOR PLATE

- Adaptor plate for flat screens which have holes in a VESA 200 x 100mm pattern
- Simple installation with all mounting hardware included
- Must be used with a 75mm x 75mm and/or 100 x 100mm screen mount (BT7510 / BT7511 / BT7512 / BT7513 / BT7518 / BT7519)
- Actual screen size and weight limit dependent on mount to which BT7506 is attached

FEATURES

Available in **Black, Silver**

PACKAGING

PRO

ACCESSORIES

Security Fasteners

VESA Compatibility 200 x 100

Colours Available **Black, Silver**

BT7502

VESA ADAPTOR PLATE

- Adaptor plate for flat screens which have holes in 200 x 200mm OR 200 x 100mm patterns
- Simple installation with all mounting hardware included
- Must be used with a 75 x 75mm, 100 x 100mm and/or 200 x 100mm screen mount (BT7510 / BT7511 / BT7512 / BT7513 / BT7518 / BT7519 / BT7521 / BT7522 / BT7514 / BT7515)
- Actual screen size and weight limit dependent on mount to which BT7502 is attached

FEATURES

Available in **Black, Silver**

PACKAGING

PRO

ACCESSORIES

Security Fasteners **BT7540 BT7527**

VESA Compatibility 200 x 100 200 x 200

Colours Available **Black, Silver**

BT7541

300x300 & 300x200 VESA ADAPTOR ARMS

- Adapter plate for screens with fixings at 300 x 300mm or 300 x 200mm
- Simple installation with all mounting hardware included
- For 300 x 300mm use with a 200 x 200mm screen mount (BT7507 / BT7532 / BT7533 / BT7534 / BT7535)
- For 300 x 200mm OR 200 x 300mm use with any 200 x 200mm mount as above, plus BT7521, BT7522

COMPATIBILITY

FEATURES

PACKAGING

PRO

ACCESSORIES

Security Fasteners

NUMBERS

Registered Design No. 4010379

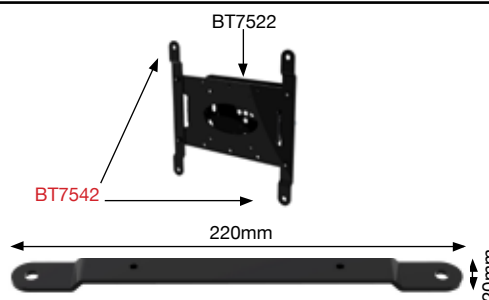
Screen Size	23" - 50"
Max. Weight	40kg (88lbs)
VESA Compatibility	300 x 200 300 x 300 200 x 300

Colours Available **Black, Silver**

BT7542

200x100 / 200x200 VESA ADAPTOR ARMS

- Adapter arms to convert VESA 100 x 100mm mounts to VESA 200 x 100mm
- Converts VESA 200 x 100mm mounts to VESA 200 x 200mm
- Simple installation with all mounting hardware included
- For 200 x 100 use with any 100 x 100 VESA mount (BT7510 / BT7511 / BT7512 / BT7513)
- For 200 x 200 use with any 200 x 100 VESA mount (BT7521 / BT7522 / BT7514 / BT7515)
- * Actual screen size and weight limit dependent on mount to which BT7540 is attached



Screen Size	42"
Max. Weight	40kg (88lbs)
Adaptor Depth	7mm (0.27")
VESA Compatibility	200 x 100 200 x 200
Colours Available	Black, Silver

COMPATIBILITY



FEATURES



PACKAGING



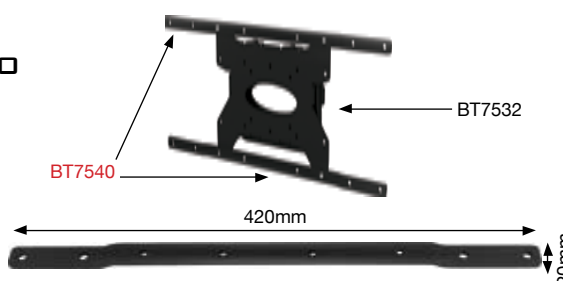
ACCESSORIES

Security Fasteners

BT7540

400x200, 300x200 & 200x300 VESA ADAPTOR ARMS

- Adapter plate for screens with fixings at 400 x 200mm, 300 x 200mm or 200 x 300mm
- Simple installation with all mounting hardware included
- For 400 x 200 or 300 x 200 use with any 200 x 200 screen mount (BT7507 / BT7532 / BT7533 / BT7534 / BT7535)
- For 200x300 use with any 200 x 200 mount as above plus 200 x 100 mount (BT7521 / BT7522 / BT7514 / BT7515)
- Use 2 x BT7540 with any 200 x 200 mount to achieve 400 x 400 VESA fixings
- M8 screen fixing screws included
- * Actual screen size and weight limit dependent on mount to which BT7540 is attached



Screen Size	23" - 50"
Max. Weight	40kg (88lbs)
Adaptor Depth	7mm (0.27")
VESA Compatibility	400 x 200 200 x 300 300 x 200
Colours Available	Black, Silver

COMPATIBILITY



FEATURES



PACKAGING



ACCESSORIES

Security Fasteners

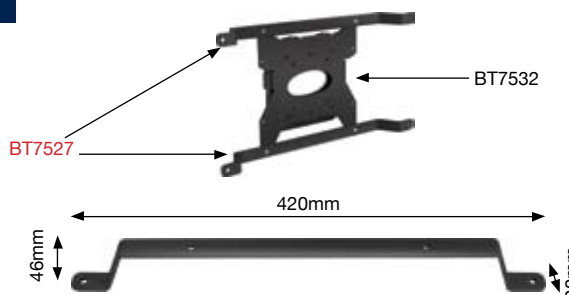
NUMBERS

Registered Design No:
4010376

BT7527

400MM X 200MM OFFSET VESA ADAPTOR ARMS

- Adaptor plate for flat screens which have holes in a VESA 400 x 200mm
- To be used where extra distance from the rear of the screen is necessary
- Simple installation with all mounting hardware included
- Must be used with a 200 x 200mm screen mount sold separately (BT7507 / BT7532 / BT7533 / BT7534 / BT7535)
- * Actual screen size and weight limit dependent on mount to which BT7527 is attached



Screen Size	23" - 50"
Max. Weight	40kg (88lbs)
Adaptor Depth	46mm (1.8")
VESA Compatibility	400 x 200
Colours Available	Black, Silver

COMPATIBILITY



FEATURES



PACKAGING



ACCESSORIES

Security Fasteners

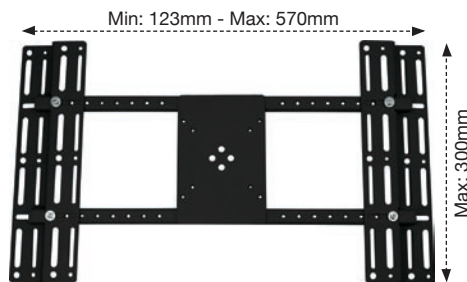
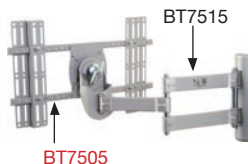
NUMBERS

Registered Design No:
4010376

BT7505

NON-VESA FLAT SCREEN ADAPTOR PLATE

- Universal adaptor kit to allow fitting of non-VESA screens to 75 x 75mm and 100 x 100mm VESA mounts
- Simple installation with all mounting hardware included
- **Must be used with a 75 x 75mm or 100 x 100mm screen mount (BT7510 / BT7511 / BT7512 / BT7513 / BT7518 / BT7519 / BT7521 / BT7522 / BT7514 / BT7515)**
- * Actual screen size and weight limit dependent on mount to which BT7505 is attached



Screen Size	26" - 40"
Max. Weight	40kg (88lbs)
Max. Dist. Between Fixings	H: 123mm (4.8") - 570mm (22.4") V: 300mm (11.8")
VESA Compatibility	400 x 200 300 x 200 300 x 300
Colours Available	Black, Silver

COMPATIBILITY



FEATURES



PACKAGING



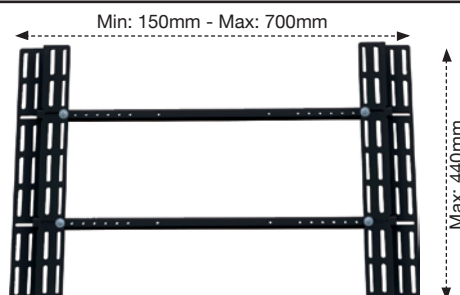
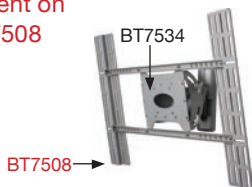
ACCESSORIES

Security Fasteners

BT7508

NON-VESA FLAT SCREEN ADAPTOR

- Universal adaptor kit to allow fitting of non-VESA screens to 200 x 200mm VESA mounts
- Simple installation with all mounting hardware included
- **Must be used with a 200 x 200mm screen mount (BT7507 / BT7532 / BT7533 / BT7534 / BT7535)**
- * Actual screen size and weight limit dependent on mount to which BT7508 is attached



Screen Size	32" - 50"
Max. Weight	60kg (132lbs)
Max. Dist. Between Fixings	H: 150mm (5.9") - 700mm (27.5") V: 440mm (17.3")
VESA Compatibility	400 x 200 400 x 400 300 x 200 600 x 400 300 x 300
Colours Available	Black, Silver

FEATURES



Available in Black, Silver

PACKAGING



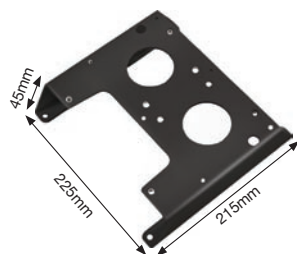
ACCESSORIES

Security Fasteners

BT7529

200MM X 150MM ADAPTOR PLATE

- To be used where extra distance from the rear of the screen is necessary
- For use with some Sony® Bravia™ models and other flat screens with fixing centres 200 x 150mm and 200 x 200mm
- **Must be used with a 200 x 100mm screen mount (BT7521 / BT7522 / BT7514 / BT7515) or mounts directly to 2 x accessory collars**
- * Actual screen size and weight limit dependent on mount to which BT7529 is attached

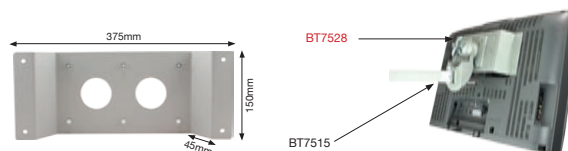


Screen Size	23" - 42"
Max. Weight	40kg (88lbs)
Adaptor Depth	45mm (1.8")
VESA Compatibility	200 x 200 200 x 150
Colours Available	Black, Silver

COMPATIBILITY	PACKAGING
FEATURES	ACCESSORIES
	NUMBERS
	Registered Design No. 4003646

BT7528

340MM X 120MM ADAPTOR PLATE FOR USE WITH PANASONIC® FLAT SCREENS



- This adaptor plate is designed for use with the following Panasonic® flat models: TX26LXD500, TX26LXD60, TXLXD500, TX32LXD60 and other models with fixing centres of 340mm x 120mm
- **Must be used with an LCD mount.** (BT7514 / BT7515 / BT7521 / BT7522 / BT8421 / BT8422 / BT8431 / BT8432 / BT7507 / BT7532 / BT7533 / BT7534 / BT7535)
- * Actual screen size and weight limit dependent on mount to which BT7528 is attached

FEATURES



PACKAGING



ACCESSORIES

Security Fasteners

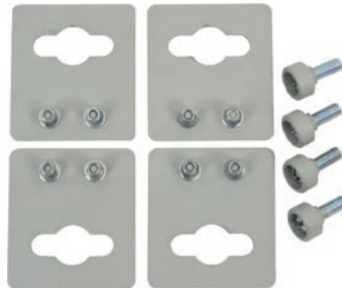
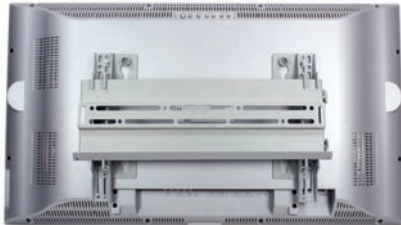
NUMBERS

Registered Design No. 4003646

BT8522

KEYHOLE ADAPTOR KIT

- Allows screens to be simply 'hooked on' to flat screen mounts, for quick and easy fitment and removal without the need for tools
- Suitable for screens with M8 fixings
- **Must be used with one of the following products: BT7505, BT7508, BT8421, BT8422, BT8431, BT8432, BT8600, BT8500, BT8501**



COMPATIBILITY



FEATURES



Available in
Silver

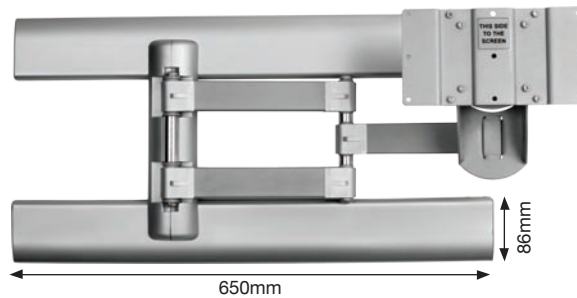
PACKAGING

PRO

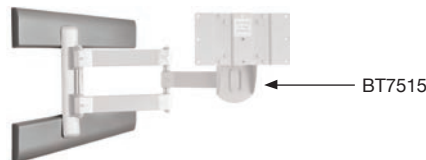
BT8006

DOUBLE STUD WALL MOUNT

- Adaptor plates designed to allow B-Tech wall mounts to be mounted safely on double stud walls
- Suitable for 8", 12", 16", 20" and 24" stud walls
- Ideal for use with BT7512, BT7513, BT7514, BT7515, BT7534 and BT7535
- Can also be used with BT8007 adaptor for the mounting of CRT and speaker mounts
- Plate depth with cover 16.5mm
- **Must be used with suitable screen mount sold separately**



BT8006



BT7515

COMPATIBILITY



FEATURES



PACKAGING

PRO

ACCESSORIES

**Security Fasteners
BT8007**

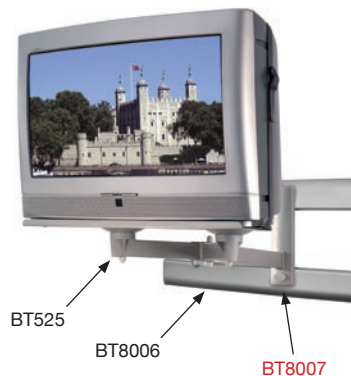
NUMBERS

Registered Design No.
4003648

BT8007

CRT & SPEAKER WALL MOUNT ADAPTOR PLATE

- Adaptor plate designed for use with BT8006 to allow B-Tech CRT and speaker wall mounts to be mounted safely on stud walls
- Suitable for 8", 12", 16", 20" and 24" stud walls when used with BT8006
- Ideal for use with BT77, BT514, BT517, BT518, BT520, BT521 and BT525
- Can also be used with 2 x B-Tech accessory collars for pole mounting CRT and speaker mounts
- **Must be used with BT8006 stud wall adaptor or 2 x accessory collars**



COMPATIBILITY



FEATURES



PACKAGING

PRO

ACCESSORIES

**Security Fasteners
BT8006**



CABLE MANAGEMENT & FLAT SCREEN CLEANERS

Bib[®]
mountlogic[®]
range

The B-Tech cable management system is a stylish alternative to plastic conduit. The extruded cable management strip integrates with a range of AV component shelves to provide a comprehensive cable management and AV component mounting system. The range of high quality Bib flat screen cleaners offer excellent anti-static cleaning properties in a convenient hand-grip unit.



B-Tech offer a range of Cable Management solutions to hide the ever present problem of trailing AV cables. The BT7070 Cable Manager is an aesthetically pleasing aluminium extrusion and is a stylish alternative to plastic conduit/trunking. In addition to the cable manager itself, B-Tech offer 90° corner connectors and a range of

shelves to integrate with the cable manager itself. The shelving solutions provide a stylish way to support AV equipment under a wall mounted screen.



BT7070

CABLE MANAGER

- Holds up to 4 AV cables
- May be cut to length if desired and the white model can also be painted to match its surroundings
- Made from a single aluminium extrusion
- A stylish alternative to plastic conduit / trunking
- Supplied with 3 wall mounting clips (extra clips available - BT7073 - see below)
- Available in the following lengths: -
1m = BT7070-100
1.5m = BT7070-150



Available in **Black, Silver, White** Registered Design No. 3022076

BT7072

90° CORNER CONNECTOR

- The BT7072 creates a stylish right angle corner between two cable managers
- Easy installation - connector fits into two BT7070 cable managers



Available in **Black, Silver, White**



BT7073

ADDITIONAL WALL MOUNTING CLIPS

- Set of 3 BT7070 cable manager clips
- Wall plugs and screws included
- Required when cable manager is cut into shorter lengths



Available in **Black**

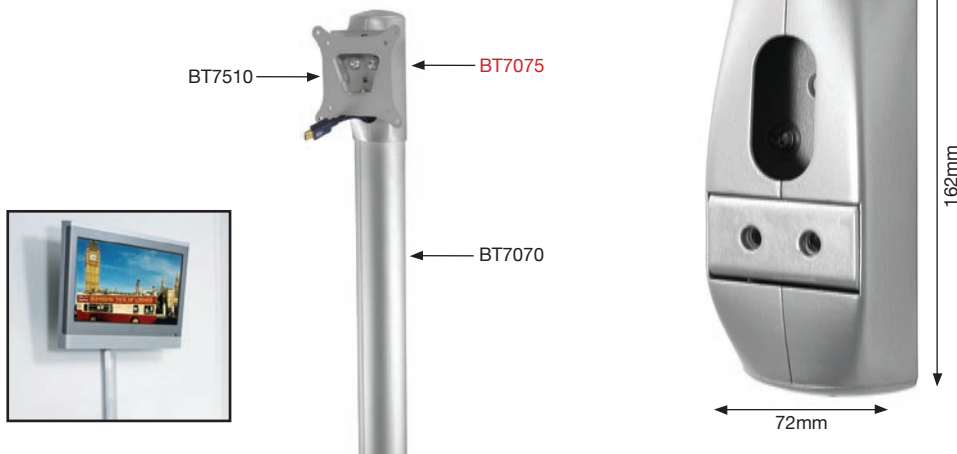


BT7075

MODULAR WALL PLATE

- Wall plate designed to hold B-Tech flat screen mounts & AV shelves when used with the cable manager range
- Can be used in conjunction with B-Tech's BT7070 Cable Manager or as a standalone mount
- Cable can pass up / down the wall plate hole (40mm x 20mm)
- Simple installation with all mounting hardware included
- Maximum load with screen mount: 25kg
- Maximum load with shelf: 10kg
- **Designed for use with BT7510, BT7511, BT7521 and BT7522 flat screen mounts or BT7030, BT7036, BT7037, BT7038 and BT7040 component AV shelves**

*Cable manager & flat screen mount available separately



COMPATIBILITY



Used with shelf



Used with screen mount

Available in
Black, Silver, White

FEATURES



PACKAGING



ACCESSORIES

BT7070 - Cable Manager

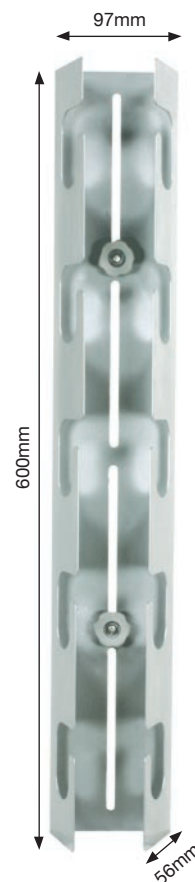
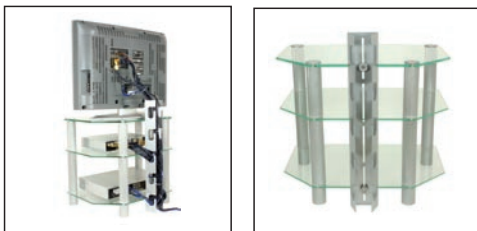
NUMBERS

Registered Design No.
4003648

BTG600 / 601

AV FURNITURE CABLE HIDEAWAY

- The BTG600 and BTG601 cable hideaways attach to the rear of a glass shelf and provide a management solution for AV cables.
- The manager will hide a large number of cables securely out of view
- Simple installation with all mounting hardware included
- **BTG600 Cable hideaway for 6-10mm thick glass (Available in silver and chrome)**
- **BTG601 Cable hideaway for 12-15mm thick glass (Available in chrome only)**



FEATURES



Available in
Silver, Chrome

PACKAGING



ACCESSORIES

BT7070 - Cable Manager

NUMBERS

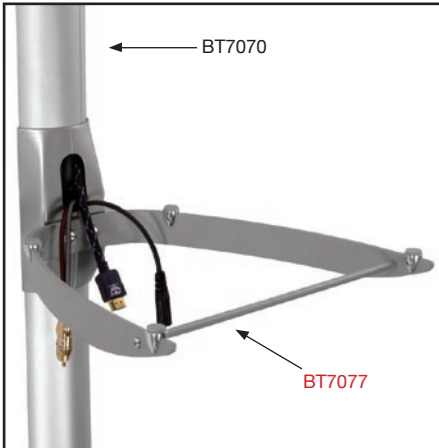
Registered Design No.
3024397

BT7077

AV COMPONENT SHELF

- Can be used in conjunction with the BT7070 Cable Manager or as a standalone shelf
- Supplied with 4 polished alloy feet and non-slip rubber inlays

- Maximum load: 10kg
- Simple installation with all mounting hardware included
- Best suited for equipment up to 430mm wide x 260mm deep
- 40mm x 20mm cable hole



*Cable manager (BT7070) and leads available separately

COMPATIBILITY



FEATURES



Available in
Black, Silver

PACKAGING



ACCESSORIES

BT7070
Cable Manager

NUMBERS

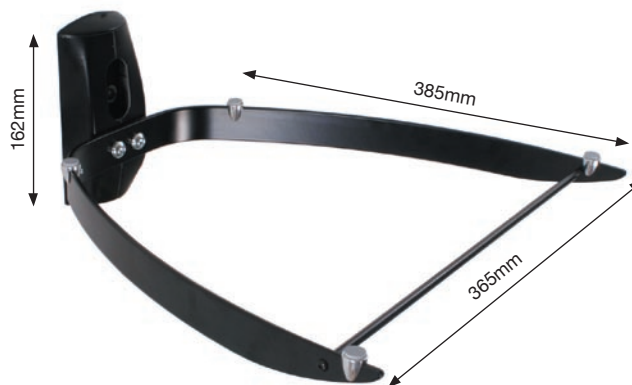
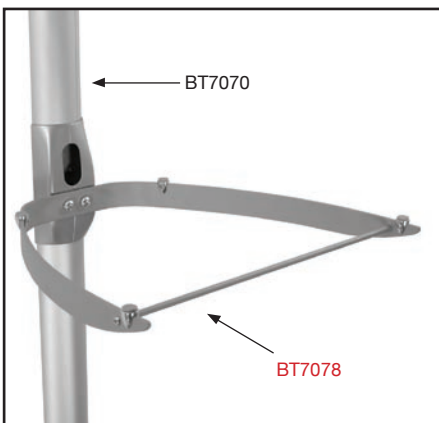
Registered Design No.
4003647

BT7078

LARGE AV COMPONENT SHELF

- Can be used in conjunction with the BT7070 Cable Manager or as a standalone shelf
- Supplied with 4 polished alloy feet and non-slip rubber inlays

- Maximum load: 10kg
- Simple installation with all mounting hardware included
- Best suited for equipment up to 430mm wide x 360mm deep



*Cable manager (BT7070) available separately

COMPATIBILITY



FEATURES



Available in
Black, Silver

PACKAGING



ACCESSORIES

BT7070
Cable Manager

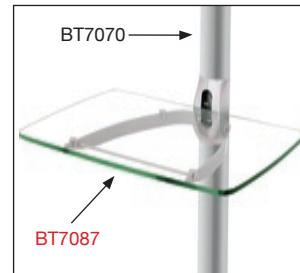
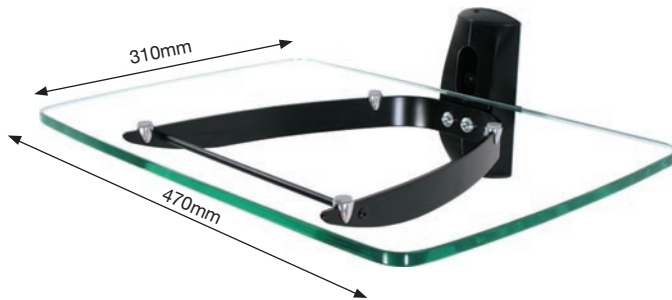
NUMBERS

Registered Design No.
4003647

BT7087

AV COMPONENT GLASS SHELF

- Standard sized wall mounted glass shelf designed to hold AV equipment such as DVD players, satellite receivers and games consoles
- Can be used in conjunction with the BT7070 Cable Manager or as a standalone shelf
- Supplied with 4 polished alloy feet, non-slip rubber inlays and tempered safety glass shelf
- Maximum load: 10kg
- Glass Shelf dimensions: 470mm x 310mm x 10mm
- Simple installation with all mounting hardware included
- 40mm x 20mm cable hole



*Cable manager (BT7070) available separately

COMPATIBILITY



FEATURES



Available in
Black, Silver

PACKAGING



ACCESSORIES

**BT7070
Cable Manager**

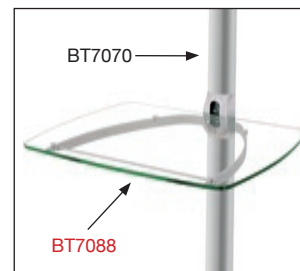
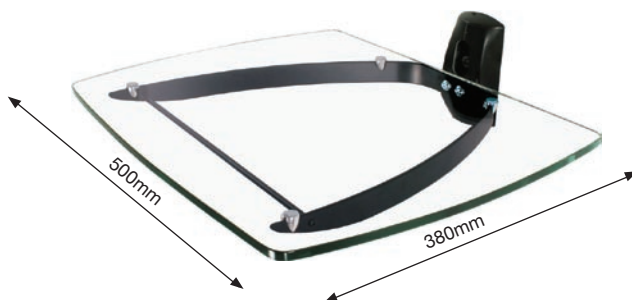
NUMBERS

Registered Design No.
4003647

BT7088

LARGE AV COMPONENT GLASS SHELF

- Large wall mounted glass shelf designed to hold AV equipment such as DVD players, satellite receivers and games consoles
- Can be used in conjunction with the BT7070 Cable Manager or as a standalone shelf
- Supplied with 4 polished alloy feet, non-slip rubber inlays and tempered safety glass shelf
- Maximum load: 10kg
- Glass Shelf dimensions: 500mm x 380mm x 10mm
- Simple installation with all mounting hardware included
- 40mm x 20mm cable hole



*Cable manager (BT7070) available separately

COMPATIBILITY



FEATURES



Available in
Black, Silver

PACKAGING



ACCESSORIES

**BT7070
Cable Manager**

NUMBERS

Registered Design No.
4003647

Bib®

AV CARE AND CLEANING ACCESSORIES

BTBIB37N

PREMIUM 10 BRUSH DVD LASER LENS CLEANER

- Cleans dvd laser lens for improved picture and sound quality
- Ten micro-fibre, optical grade brushes
- On-screen instructions and menu
- Surround sound test program
- Colour calibration program
- Also compatible with PS3®, Xbox 360® and PCs



BTBIB639N

PREMIUM 10 BRUSH CD LASER LENS CLEANER

- Cleans cd laser lens for improved sound quality
- ten micro-fibre, optical grade brushes
- On-disc audio instructions
- audio system diagnostic test program
- Also compatible with PS3®, Xbox 360®, PCs and CD autochangers



BTBIB47N

PREMIUM BLU-RAY LASER LENS CLEANER

- Cleans Blu-Ray lens for improved picture and sound quality
- Three ultra-fine microfibre, optical grade brushes
- On-screen instructions and menu
- Compatible with Blu-Ray players, PS3®, BD and BD-R drives



BTBIB641

FLAT SCREEN CLEANING KIT FOR SMALL SCREENS

- Specifically designed for cleaning small LCD and TFT screens
- Anti-static cleaning gel – specifically formulated not to run down screen
- Replacement cloth included
- To keep screens clean and to prevent static build up, it is recommended that the screen is cleaned at least once a week with this kit



BTBIB642

FLAT SCREEN CLEANING KIT FOR LARGE SCREENS

- Specifically designed for cleaning LCD and Plasma screens
- Anti-static cleaning gel – specifically formulated not to run down screen
- Replacement cloth included
- To keep screens clean and to prevent static build up, it is recommended that the screen is cleaned at least once a week with this kit





PROJECTOR MOUNTS

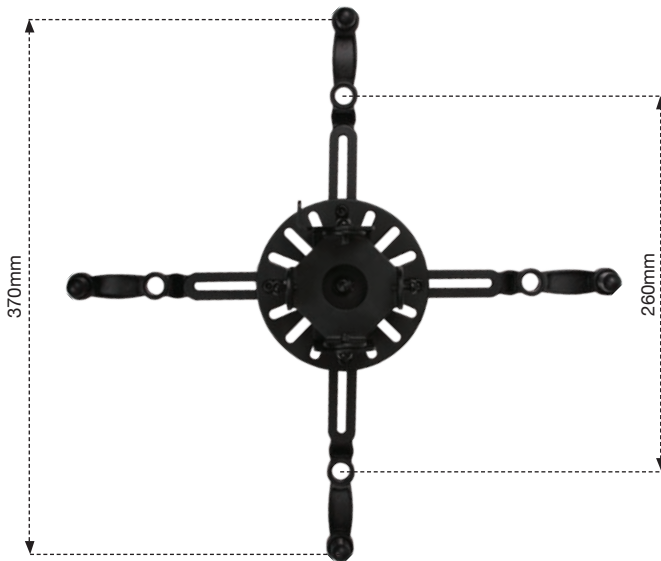
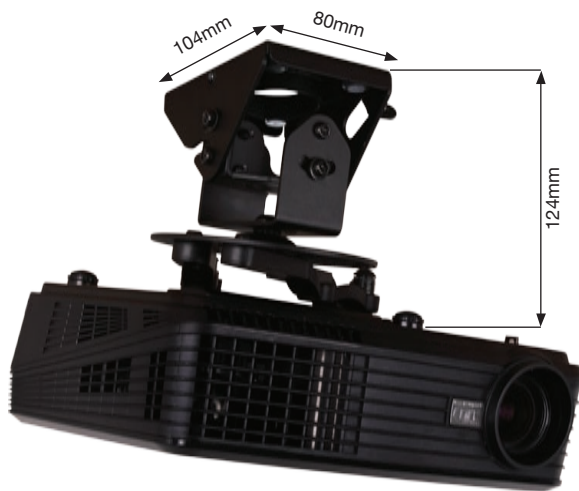
mountlogic[®]
range

The Mountlogic range of projector mounts includes solutions for mounting projectors close to the ceiling or with an extension, and from angled ceilings or a walls. All mounts feature a 'carousel' projector mounting interface for universal projector compatibility.

BTB99

HEAVY DUTY PROJECTOR CEILING MOUNT WITH MICRO-ADJUSTMENT

- Use flush to ceiling - only 124mm drop to top of projector
- Can be mounted onto any 50mm extension poles and 1.5" NPT pipes for alternative installations
- +/-13° tilt adjustment, +/-6° roll adjustment & 360° swivel
- Maximum distance between any 2 fixing points: 370mm
- Micro-adjustment feature for short throw projectors
- Theft-deterrent security fasteners as standard
- Pre-assembled for simple three step installation with all mounting hardware included
- Suitable for projectors using M2.5, M3, M4, M5 and M6 fixings
- Can be used with B-Tech System 2 for additional mounting options. See page 66.



NEW FOR 2010

COMPATIBILITY



FEATURES



Available in **Black**

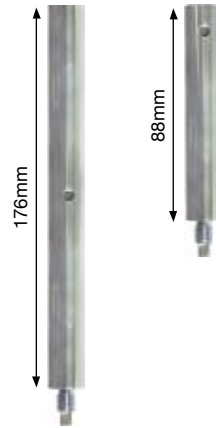
PACKAGING



BT889

AVIBALL PROJECTOR CEILING MOUNT

- Use flush to ceiling - only 124mm drop to top of projector
- Optional extension bars are included to increase ceiling drop to 212mm or 300mm
- +/-37° tilt adjustment, 360° Swivel at mount
- Aviball technology allows easy adjustment and simple locking in place
- Coverplate included for smart installation
- Includes unique universal carousel mount to fit all LCD / DLP projectors with all mounting hardware included
- Maximum distance between any 2 fixing points: 340mm
- Suitable for projectors using M2.5, M3, M4, M5 and M6 fixings



COMPATIBILITY



FEATURES



Available in
Black, Silver

PACKAGING



ACCESSORIES

Security Fasteners

NUMBERS

Patent No: 2437850B

BT881

PROJECTOR CEILING MOUNT

- Use flush to ceiling - only 135mm drop to top of projector
- Optional extension bar is included to increase ceiling drop to 280mm
- +/-90° tilt adjustment, 360° Swivel at mount
- Coverplates included for smart installation
- Includes unique universal carousel mount to fit all LCD / DLP projectors with all mounting hardware included
- Safety wire for extra security
- Maximum distance between any 2 fixing points: 340mm
- Suitable for projectors using M2.5, M3, M4, M5 and M6 fixings



COMPATIBILITY



FEATURES



Available in
Black, Silver, White

PACKAGING



ACCESSORIES

Security Fasteners

NUMBERS

Registered Design No:
3016251

BT882

PROJECTOR CEILING MOUNT WITH EXTENSION ARM

- **BT882 adjustable ceiling drop: 500mm - 750mm**
- Outer tube diameter: 42mm
- Inner tube diameter: 35mm
- +/-50° tilt of pole for angled ceilings,
- +90° tilt adjustment, 360° Swivel at mount
- Coverplates included for smart installation
- Hand lever allows easy adjustment of ceiling drop
- Safety wire for extra security
- Cable management
- Includes unique universal carousel mount to fit all LCD / DLP projectors with all mounting hardware included
- Maximum distance between any 2 fixing points: 340mm
- **Suitable for projectors using M2.5, M3, M4, M5 and M6 fixings**



BT883

- **BT883 adjustable ceiling drop: 750mm - 1222mm**
- * All other details as per BT882

COMPATIBILITY



FEATURES



Available in
Black, Silver

PACKAGING



ACCESSORIES

Security Fasteners

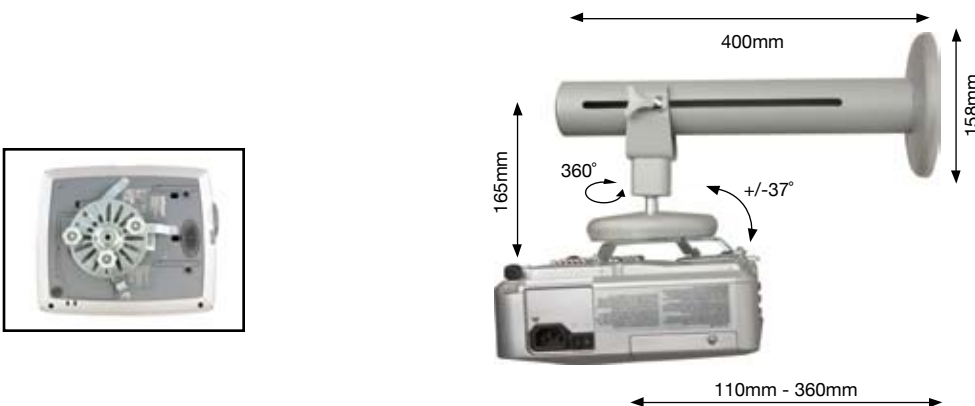
NUMBERS

Registered Design No:
3016251

BT885

AVIBALL PROJECTOR WALL MOUNT

- Adjustable distance from the wall to centre of ball joint: 110mm - 360mm
- Quick release and simple hook-on installation with all mounting hardware included
- +/-37° tilt adjustment, 360° Swivel at mount
- Coverplate included for smart installation
- Includes unique universal carousel mount to fit all LCD / DLP projectors with all mounting hardware included
- Projector can be inverted
- Cable management
- Maximum distance between any 2 fixing points: 340mm
- **Suitable for projectors using M2.5, M3, M4, M5 and M6 fixings**



COMPATIBILITY



FEATURES



Available in
Black, Silver

PACKAGING



ACCESSORIES

Security Fasteners

NUMBERS

Registered Design No.
4003648
Patent No: 2437850B



CRT WALLMOUNTS

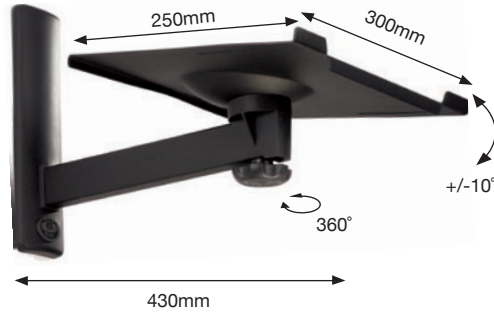
mountlogic[®]
range

B-Tech continue to offer a core range of CRT wall mounts, including mounts with single and dual articulated arms. Supplied complete with security straps for enhanced mounting security, these products offer the ideal solution for low cost installations.

BT5 14

VIEWLOGIC™ 14 CRT WALL MOUNT

- Designed for traditional televisions between 13" and 16"
- Tilts +/-10° and swivels 360°
- Simple installation with all mounting hardware included
- Easy adjustment - handwheel secures tilt and swivel
- Includes safety strap + strap retainer
- Available in silver and black



COMPATIBILITY

30kg
66lbs

16"
41cm

FEATURES



PACKAGING

RETAIL

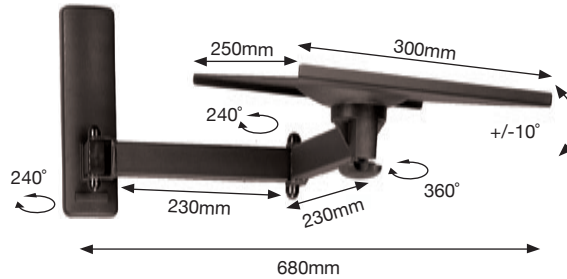
ACCESSORIES

BT8006, BT8007, BT20

BT5 17

VIEWLOGIC™ 17 CRT WALL MOUNT

- Designed for traditional televisions between 13" and 16"
- Tilts +/-10° and swivels 360°
- Double arm for maximum swivel
- Simple installation with all mounting hardware included
- Easy adjustment - handwheel secures tilt and swivel
- Includes safety strap + strap retainer
- Available in silver and black



COMPATIBILITY

25kg
55lbs

16"
41cm

FEATURES



PACKAGING

RETAIL

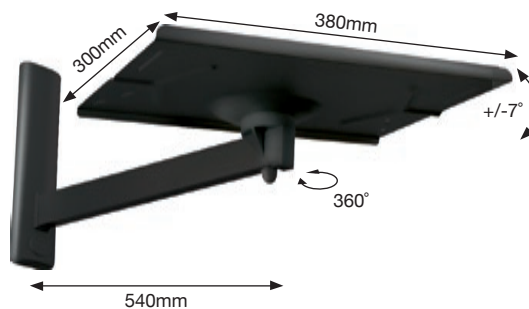
ACCESSORIES

BT8006, BT8007, BT20

BT5 21

VIEWLOGIC™ 21 CRT WALL MOUNT

- Designed for traditional televisions between 14" and 21"
- Tilts +/-7° and swivels 360°
- Simple installation with all mounting hardware included
- Easy adjustment of tilt and swivel
- Includes safety strap + strap retainer
- Available in silver and black



COMPATIBILITY

35kg
77lbs

21"
54cm

FEATURES



PACKAGING

RETAIL

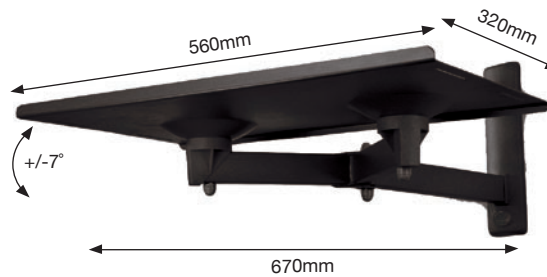
ACCESSORIES

BT8006, BT8007, BT20

BT525

VIEWLOGIC™ 25 LARGE CRT WALL MOUNT

- Designed for widescreen televisions up to 29" and standard televisions up to 27"
- Tilts +/-7°
- Simple installation with all mounting hardware included
- Easy adjustment of tilt and swivel
- Includes safety strap + strap retainer
- Available in silver and black



COMPATIBILITY



FEATURES



PACKAGING



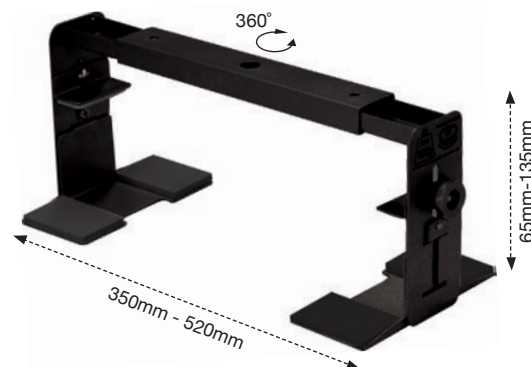
ACCESSORIES

BT8006, BT8007, BT20

BT20

VCR / DVD MOUNT

- Fits on all B-Tech standard CRT mounts
- Suitable for VCRs DVD players & recorders, satellite receivers etc
- Swivels 360°
- Suitable for width 350mm to 520mm and height 65mm to 135mm
- Available in silver and black



COMPATIBILITY



FEATURES



Available in
Black, Silver

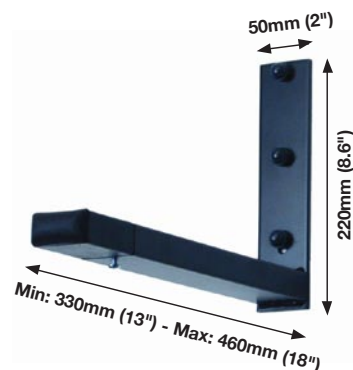
PACKAGING



BT19

MICROWAVE WALL MOUNT

- Heavy duty wall mount for microwave ovens and heavy AV equipment
- Adjustable arms from 330mm - 460mm
- Simple installation with all mounting hardware included



COMPATIBILITY



FEATURES



Available in
White

PACKAGING





SPEAKER MOUNTS AND STANDS

The award winning range of B-Tech speaker mounts and stands includes mounts for wall and ceiling applications, plus stylish floor stands for small, medium and large speakers.

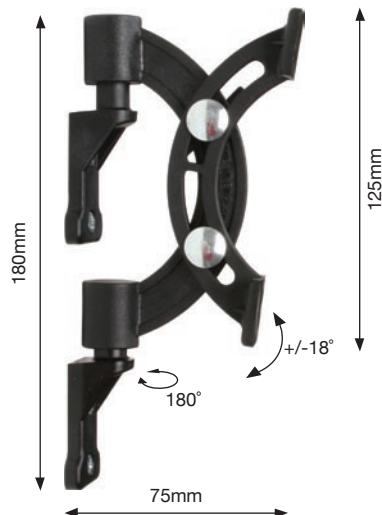


mountlogic[®]
range

BT1

TILT & SWIVEL SPEAKER WALL MOUNT

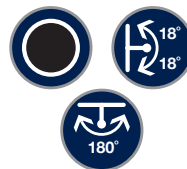
- The original 'tilt and swivel' mount
- Designed for small to medium loudspeakers weighing up to 10kg
- Moulded from glass-filled nylon for low resonance and durability
- Simple hook-on installation with all mounting hardware included
- Mounts speaker only 75mm from wall
- **SUPPLIED IN PAIRS**



COMPATIBILITY



FEATURES



Available in **Black**

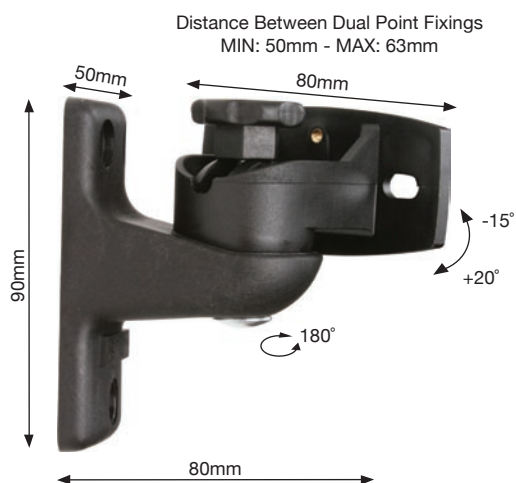
PACKAGING



BT5

HOME CINEMA SPEAKER WALL MOUNT

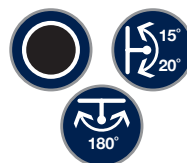
- Designed for small home cinema speakers weighing up to 5kg
- Thumbwheel for easy tilt and swivel adjustment
- Moulded from glass filled nylon for low resonance and durability
- Simple installation with all mounting hardware included
- Mounts speaker only 80mm from wall
- Suitable for single point and dual point fixings
- **Suitable for speakers using M5, M6, UNC 1/4" & Wood Screws**
- **SUPPLIED IN PAIRS**



COMPATIBILITY



FEATURES



Available in **Black**

PACKAGING



ACCESSORIES

Security Fasteners

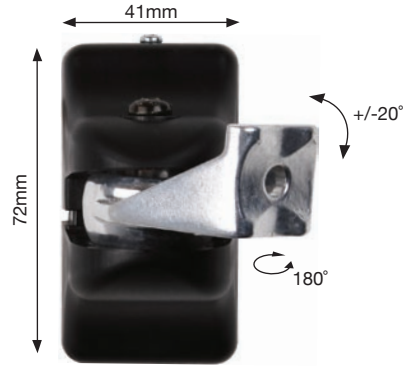
NUMBERS

Registered Design No. 2071083

BT33 / BT332

HOME CINEMA SPEAKER WALL MOUNT

- Designed for small home cinema speakers weighing up to 5kg
- Tilts +/-20° and swivels 180°
- Simple installation with all mounting hardware included
- Mounts speaker only 72mm from wall
- Suitable for single point, dual point and keyhole fixings
- **Suitable for speakers using M5, M6, UNC 1/4" & Wood Screws**
- **PACKED INDIVIDUALLY - BT33**
- **SUPPLIED IN PAIRS - BT332**



Distance Between Dual Point Fixings
MIN: 51mm - MAX: 67mm



COMPATIBILITY



FEATURES



Available in
Black, Silver, White

PACKAGING



NUMBERS

Registered Design No:
4010389

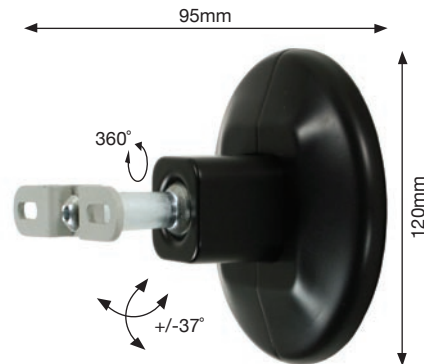
Patent No:
1546599

US Patent No:
7,523,906, B2

BT38

AVIBALL SPEAKER WALL / CEILING MOUNT

- Designed for medium to large loudspeakers weighing up to 15kg
- Simple hook-on installation with all mounting hardware included
- Coverplate included for smart installation
- Mounts speaker only 95mm from wall
- Suitable for dual point fixings and wooden backed speakers
- **Suitable for speakers using M5, M6, UNC 1/4" & Wood Screws**
- **SUPPLIED INDIVIDUALLY**



Distance Between Dual Point Fixings
MIN: 51mm - MAX: 77mm



COMPATIBILITY



FEATURES



Available in
Black, Silver, White

PACKAGING



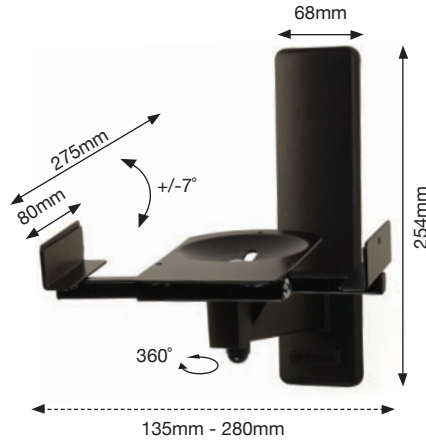
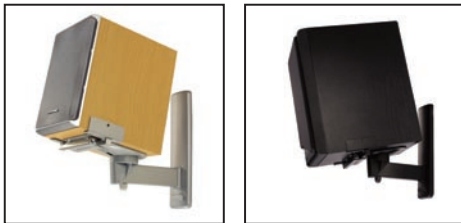
NUMBERS

Patent No: 2437850B

BT77

ULTRAGRIP PRO SIDE CLAMPING LOUDSPEAKER WALL MOUNT

- Designed for large loudspeakers weighing up to 25kg
- Adjustable clamp size: 135mm - 280mm
- Simple installation with all mounting hardware included
- Simple adjustment of tilt and swivel
- Coverplate included for smart installation
- **SUPPLIED IN PAIRS**



COMPATIBILITY



FEATURES



Available in **Black, Silver**

PACKAGING



ACCESSORIES

BT8006
BT8007

BT34 / BT342

HOME CINEMA SPEAKER CEILING MOUNT

- Designed for small home cinema speakers weighing up to 5kg
- Simple installation with all mounting hardware included
- Can also be wall mounted
- Tilts +/-90° and swivels 360°
- Coverplate included for smart installation
- Suitable for single point, dual point and keyhole fixings
- **PACKED INDIVIDUALLY - BT34**
- **SUPPLIED IN PAIRS - BT342**



Distance Between Dual Point Fixings
MIN: 57mm - MAX: 67mm



COMPATIBILITY



FEATURES



Available in **Black, Silver**

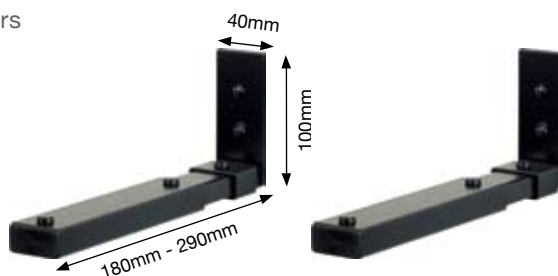
PACKAGING



BT15

CENTRE SPEAKER WALL MOUNT

- Designed for centre loudspeakers, DVD players and other AV devices weighing up to 15kg
- Adjustable arm length from 180mm - 290mm
- Simple installation with all mounting hardware included
- **2 ARMS SUPPLIED**



COMPATIBILITY



FEATURES



Available in
Black, Silver

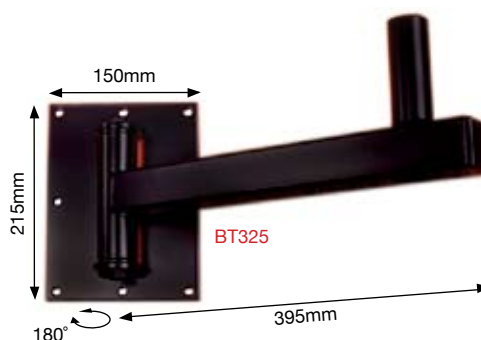
PACKAGING



BT325

'PRO-TOP' PROFESSIONAL DISCO/PA SPEAKER WALL MOUNT

- Designed for disco / PA loudspeakers with a 'top-hat' fitting weighing up to 70kg
- Fits 'top-hat' fixing holes of 32mm and 35mm
- Arm length from wall plate to shaft: 300mm
- Simple installation with all mounting hardware included
- Adaptor for external mounting also available (BT325X)
- **SUPPLIED INDIVIDUALLY**



COMPATIBILITY



FEATURES



Available in
Black

PACKAGING



BT325X

EXTERNAL MOUNTING ADAPTOR FOR USE WITH BT325



BTV910

HOME CINEMA SPEAKER STAND

- Floor stands designed for small home cinema / satellite speakers
- Quick and simple 3 step installation
- Cable management for a clean and tidy appearance
- Supplied with a dual point adaptor – alternative platform also included
- All necessary fixings and mounting hardware included
- Adjustable height for optimal speaker positioning: 685mm - 1060mm
- Max weight of speakers 2kg
- **SUPPLIED IN PAIRS**

Ventry™
range



Distance Between Dual Point Fixings
MIN: 45mm - MAX: 67mm



COMPATIBILITY



FEATURES



Available in
Black

PACKAGING



BT111

'STEALTH CRYSTAL' HOME CINEMA SPEAKER FLOOR STAND

- Deluxe speaker floor stand with 15mm thick tempered glass base and chrome plate support tubes
- Designed for small home cinema speakers weighing up to 3kg
- Suitable for single point, dual point and keyhole fixings
- Alternative platform also provided
- Adjustable spikes and padded feet are provided to match different floor surfaces
- Simple installation with all mounting hardware included
- Adjustable height: 685mm - 1060mm
- Cable management system, cable pull through wire is included
- **SUPPLIED IN PAIRS**



Distance Between Dual Point Fixings
MIN: 45mm - MAX: 67mm



COMPATIBILITY



FEATURES



Available in
Chrome

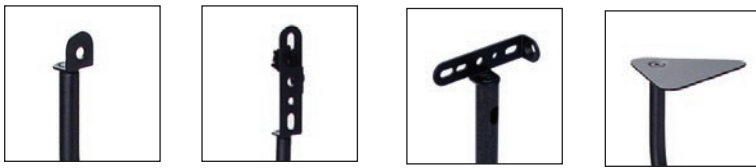
PACKAGING



BT11

'STEALTH' HOME CINEMA SPEAKER FLOOR STAND

- Stylish diecast base for greater stability and to curb unwanted vibration
- Designed for small home cinema speakers weighing up to 5kg
- Suitable for single point, dual point and keyhole fixings
- Alternative platform also provided
- Simple installation with all mounting hardware included
- Adjustable height: 685mm - 1060mm
- Cable management system, cable pull through wire is included
- **SUPPLIED IN PAIRS**



Distance Between Dual Point Fixings
MIN: 45mm - MAX: 67mm



COMPATIBILITY



FEATURES



Available in
Black, Silver

PACKAGING



NUMBERS

Registered Design No.
3003354

BT10

'HI-LOGIC PLUS' SPEAKER FLOOR STAND

- Stylish diecast base for greater stability and to curb unwanted vibration
- Designed for small to medium loudspeakers weighing up to 10kg
- Suitable for single point, dual point and keyhole fixings
- Adjustable vice clamp adaptor included, suits widths 80mm - 160mm
- Simple installation with all mounting hardware included
- Adjustable height: 660mm - 1200mm
- Cable management system, cable pull through wire is included
- **SUPPLIED IN PAIRS**



Distance Between Dual Point Fixings
MIN: 45mm - MAX: 67mm



COMPATIBILITY



FEATURES



PACKAGING



NUMBERS

Registered Design No.
3003354

ATLAS STANDS

Available in three different heights: 40cm, 60cm and 80cm. The Atlas Loudspeaker Floor Stands offer a solution for mounting larger home theatre speakers and bookshelf loudspeakers. They are genuinely fillable for added esoteric performance which is also enhanced by the top and bottom spikes that are included (alternatively foam pads are provided). The bases have unique scroll-turned corners giving a clean appearance with maximum stability.



BT604

40cm ATLAS LOUDSPEAKER FLOOR STAND

- Top plate dimensions: 190mm x 190mm
- Base plate dimensions: 240mm x 240mm
- Max weight of speaker: 50kg
- **SUPPLIED IN PAIRS**



Fillable for superior dampening and added esoteric performance



Unique scroll-turned base with sound isolating spikes & floor protection discs



Isolating speaker support spikes



Alternative foam pads for speaker or floor protection



Available in Black, Silver

BT606

60cm ATLAS STAND LOUDSPEAKER FLOOR STAND

- Top plate dimensions: 160mm x 160mm
- Base plate dimensions: 240mm x 240mm
- **SUPPLIED IN PAIRS**



Fillable for superior dampening and added esoteric performance



Unique scroll-turned base with sound isolating spikes & floor protection discs



Isolating speaker support spikes



Alternative foam pads for speaker or floor protection



Available in Black, Silver

BT608

80cm ATLAS STAND LOUDSPEAKER FLOOR STAND

- Top plate dimensions: 125mm x 125mm
- Base plate dimensions: 240mm x 240mm
- Max weight of speaker: 15kg
- **SUPPLIED IN PAIRS**



Fillable for superior dampening and added esoteric performance



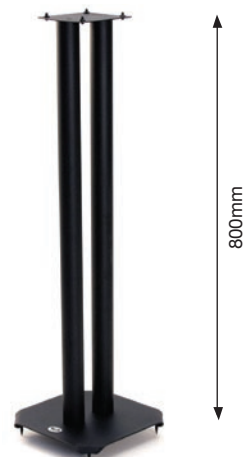
Unique scroll-turned base with sound isolating spikes & floor protection discs



Isolating speaker support spikes



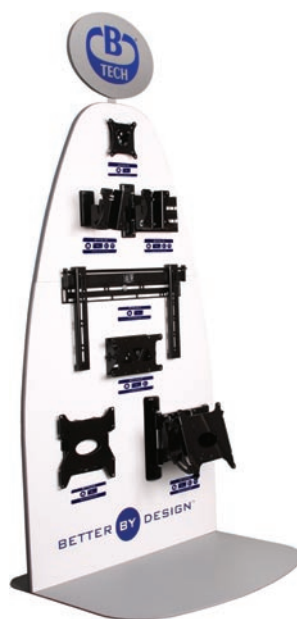
Alternative foam pads for speaker or floor protection



Available in Black, Silver

DS3

STANDARD RETAIL DISPLAY STAND



As standards, the DS3 is designed to display the following B-Tech AV mounts: -

BT7510
BT7518
BT7513
BT8421
BT7522
BT7532
BT7535

Alternatively the following models can be substituted: -

BT7510 can be replaced with BT7511
BT7518 can be replaced with BT7512
BT8431 can be replaced with BT8432
BT7532 can be replaced with BT7533
BT7535 can be replaced with BT7515

The B-Tech DS3 retail display stand has been developed to demonstrate the quality of B-Tech AV mounts in retail environments. The DS3 comes flat packed and can be easily assembled in store in approximately 5 minutes. The stand comes supplied with pre-drilled holes, fitted with insert nuts for ease of product mounting.

The stand has been designed with stability in mind and B-Tech articulated arms can be fully demonstrated with no stability issues thanks to the steel base and framework. The stand is finished with a silver header and base, and a durable white display area. The B-Tech logo and "Better by Design" graphics are pre-applied as shown and the rear of the stand is finished with a silver cover for an aesthetically pleasing appearance.

There are various mounting options available with the new DS3. Thanks to multiple fitted inserts, the product layout can be changed depending on the desired display products.



SYSTEM 2 PROFESSIONAL RANGE

The B-Tech professional range of AV mounts is one of the most versatile in the industry and consists of flat screen mounts, the System 2 pole mounting system, professional projector mounts, exhibition mounts, AV security devices, security fasteners and professional install cables. Using heavy Gauge steel, the range is designed to make professional installations safe, solid and secure.

The System 2 range is a modular component system enabling professional installers to tailor the mounting solution to suit their own individual requirements. This B-Tech range has been installed in some of the most prestigious sports stadia, airports, hotels, schools and government offices worldwide.

SYSTEM 2TM

SYSTEM 2 RANGE

B-Tech's "System 2" series is a component based system for professional installations. For greater flexibility and convenience components are supplied individually. Ceiling / wall brackets, extension poles, accessory collars and AV mounts are ordered separately, depending on the requirements of the installation.

The "System 2" range works on a modular principle with 50mm (2") diameter poles that can easily be cut to length and joined. Poles may be attached to the wall or ceiling and can hold all manner of AV devices with the use of accessory collars and mounts from B-Tech.

Mounts for joists, purlins, I-beams and both internal and external pole joiners make the "System 2" range a truly versatile and flexible modular mounting system. This new range is compatible with existing installations and may also be used in conjunction with truss systems, scaffolding poles, NPT pipes or other poles from 48mm to 51mm (2") in diameter.

Accessory brackets and collars also allow other AV equipment such as Speakers, DVD players or Laptop computers to be mounted onto the installation. The full range has been designed to include coverplates that hide the mounting fixings. This combined with the new 'taper trim' that clearly blends the mounts to the pole, results in a very aesthetically pleasing and highly adaptable mounting range to suit any installation requirement.



1. With Installation Screens Attached 2. Modular Items in Place 3. Exploded View



HOW TO USE B-TECH ACCESSORY COLLARS

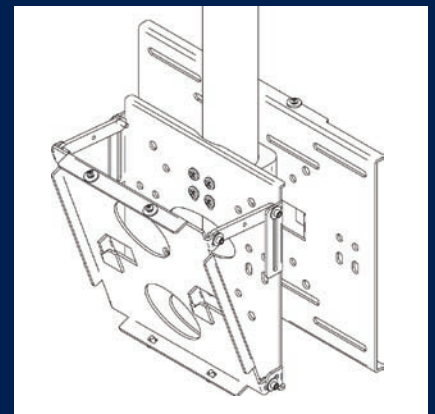
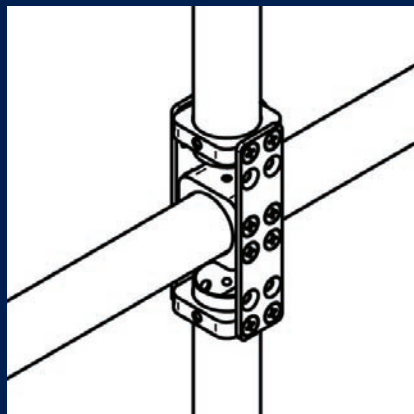
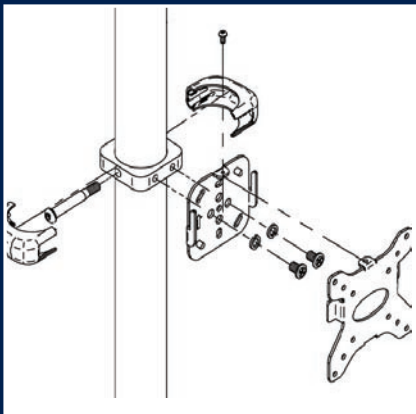


Any B-Tech product showing the 'collar compatible' symbol can be fixed to our range of accessory collars, allowing a variety of AV equipment to be securely attached to any B-Tech pole. This includes the System 2 range of professional components, our range of desk mounting solutions, and our floor stands and trolleys.

Accessory collars are also supplied as standard for use with many of our professional mounting solutions, including plasma trolleys and heavy duty flat screen ceiling mounts.

ATTACHING A COLLAR

- Slide the collar into position and affix using the provided grub screws
- A safety bolt is also provided which can pass through the pre-drilled hole at the end of a B-Tech System 2 pole. You may choose to re-drill the safety hole in an alternative location if preferred. B-Tech floor stands, trolleys and desk mounts do not require the use of this safety bolt
- Attach your chosen mount to the collar using the screws and washers provided
- Each collar has fixings on the front and rear, allowing you to produce 'back to back' installations
- When you are happy with the location of the mount you can fit the collar covers for a more aesthetic finish. The collar covers cannot be used for back to back installations

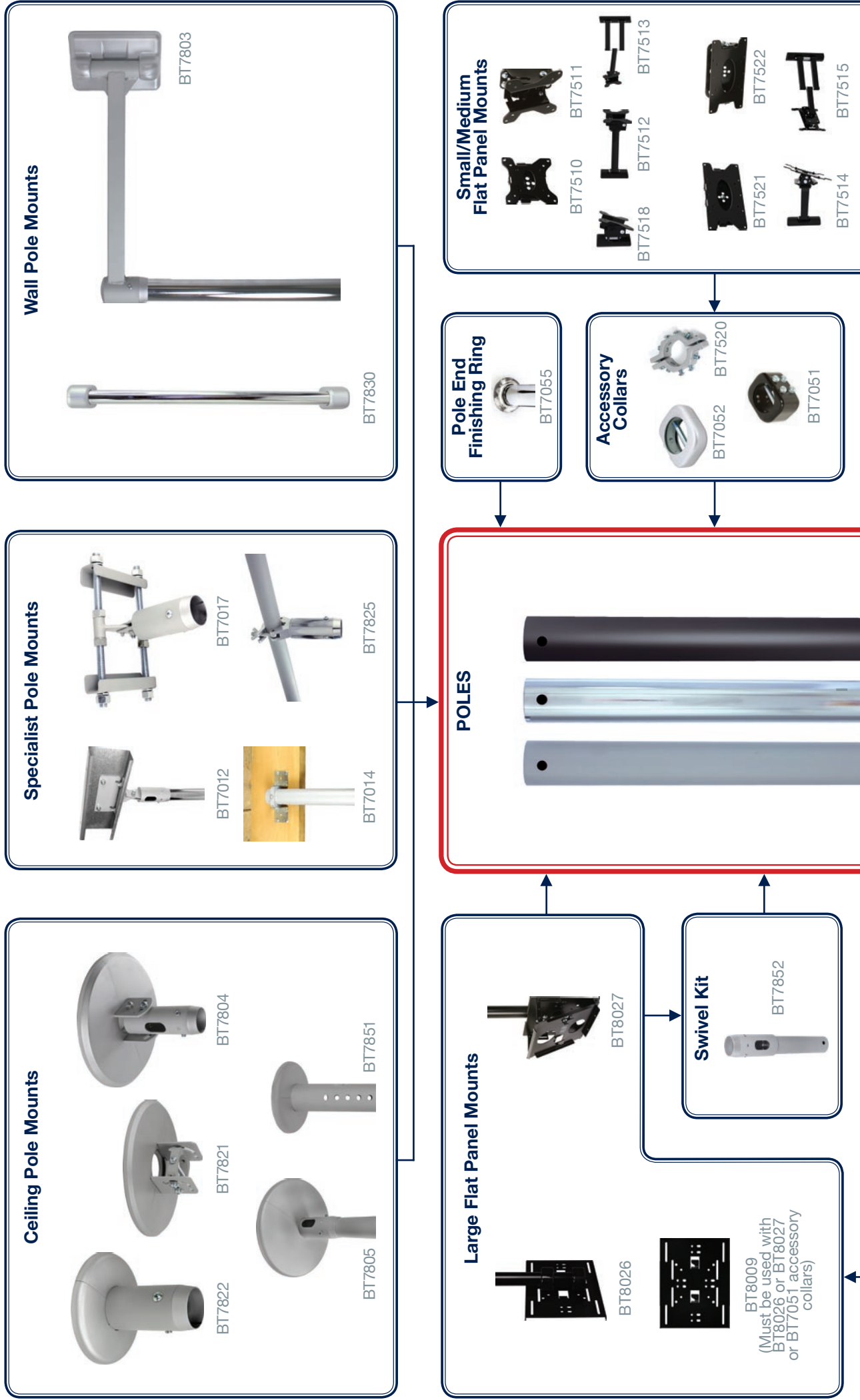


- Use 50mm collars for System 2, or any other 50mm / 2" pole including competitor products
- Use 50mm collars for our range of desk mounted solutions excluding BT7305
- Use 60mm collars for our range of LCD and Plasma floor stands and trolleys, and the BT7305 desk mount
- Use 42mm or 35mm collars for the BT890 projector trolley, or BT880 range of adjustable projector ceiling mounts

For more information please visit www.btechavmounts.com

SYSTEM 2 MOUNTING CHART

SYSTEM 2



Flat Panel Interface Kits



Swivel Kit



Floor Fixing



B-Tech offer a cut to length service

- BT7850 - 025 - (0.25m)
- BT7850 - 05 - (0.5m)
- BT7850 - 10 - (1.0m)
- BT7850 - 15 - (1.5m)
- BT7850 - 20 - (2.0m)

Pole Joiners (to extend poles)



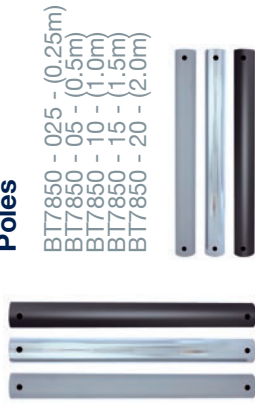
Accessory Collars



Horizontal Pole Adaptor



Poles



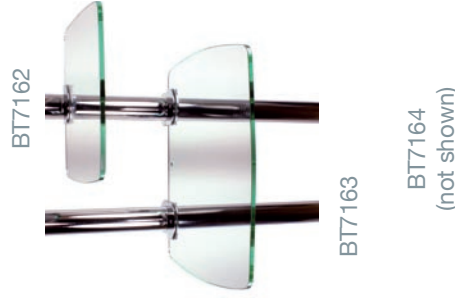
Projector and CRT Mounts



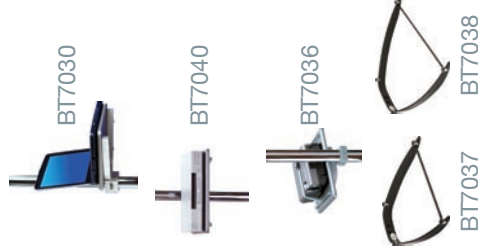
Glass Shelf Mount



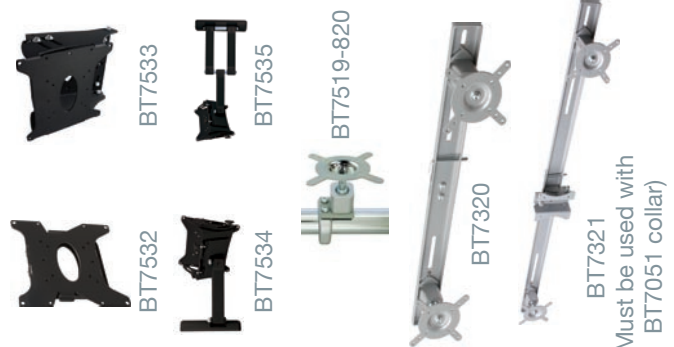
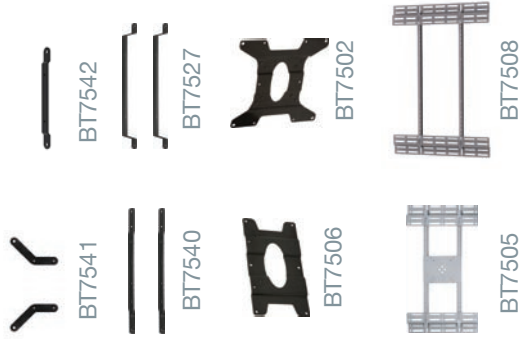
Glass Shelves



AV Shelves



Mounting Adaptors



BT7822

FIXED CEILING MOUNT FOR 50MM POLES

- Small ceiling plate with attractive finish
- Cable management
- Coverplate included for smart installation
- Supplied with safety bolt for secure installation
- Ceiling plate diameter: 150mm (without covers)
- Ceiling drop: 120mm
- **POLE SOLD SEPARATELY**

COMPATIBILITY

FEATURES

Available in
Black, Silver, Chrome

PACKAGING

PRO

ACCESSORIES

Security Fasteners

BT7821

CEILING / WALL MOUNT WITH TILT FOR 50MM POLES

- Coverplate included for smart installation
- Supplied with safety bolt for secure installation
- 70° Tilt of pole for angled ceilings
- +90° Tilt of pole (fixed) when wall mounted
- Ceiling plate diameter: 240mm (without covers)
- Ceiling drop: 83mm
- **POLE SOLD SEPARATELY**

COMPATIBILITY

FEATURES

Available in
Black, Silver

PACKAGING

PRO

ACCESSORIES

Security Fasteners

BT7805

HEAVY DUTY FIXED CEILING MOUNT FOR 50MM POLES

- Coverplate included for smart installation
- Heavy duty 5mm thick steel construction
- Cable management
- Supplied with safety bolt for secure installation
- Ceiling plate diameter: 300mm (without covers)
- Ceiling drop: 126mm
- **POLE SOLD SEPARATELY**

COMPATIBILITY

FEATURES

Available in
Black, Silver

PACKAGING

PRO

ACCESSORIES

Security Fasteners

BT7804

HEAVY DUTY CEILING MOUNT WITH TILT FOR 50MM POLES

- Coverplate included for smart installation
- Heavy duty 5mm thick steel construction
- Cable management
- Supplied with safety bolt for secure installation
- +/-40° Tilt of pole for angled ceilings
- Ceiling plate diameter: 300mm without covers
- Ceiling drop: 183mm
- **POLE SOLD SEPARATELY**



COMPATIBILITY



FEATURES



Available in
Black, Silver

PACKAGING

PRO

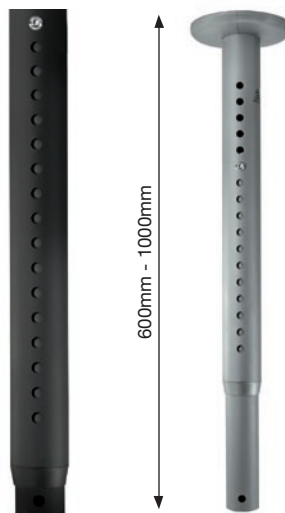
ACCESSORIES

Security Fasteners

BT7851

TELESCOPIC CEILING MOUNT FOR 50MM POLES

- Small ceiling plate with attractive finish
- Cable management
- Coverplate included for smart installation
- Ceiling plate diameter: 150mm
- Ceiling drop: 600mm - 1000mm in 25mm increments
- **Longer drop available using BT7823-Pole Joiner and any BT7850-Pole**



COMPATIBILITY



FEATURES



Available in
Black, Silver

PACKAGING

PRO

ACCESSORIES

Security Fasteners
BT7823-Pole Joiner
BT7850-Pole

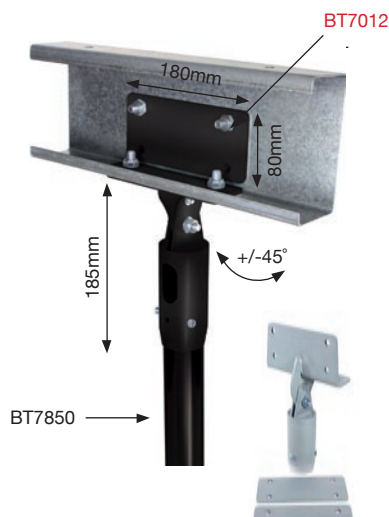
NUMBERS

Registered Design No:
4003650

BT7012

PURLIN MOUNT FOR 50MM POLES

- Adjustable purlin mount for use with 50mm poles
- Cable management
- Supplied with safety bolt for secure installation
- Locking bolt included to securely set the pole vertical at any angle up to 45°
- Fits "Cee" and "Zee" section purlin with a minimum height of 95mm
- Can also be mounted to beams and girders
- **POLE SOLD SEPARATELY**



COMPATIBILITY



FEATURES



Available in
Black, Silver

PACKAGING

PRO

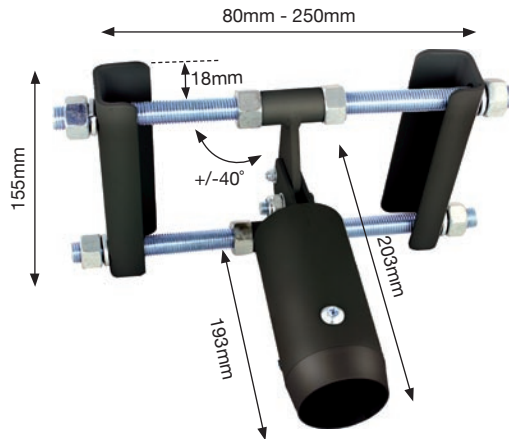
ACCESSORIES

Security Fasteners

BT7017

I-BEAM (GIRDER) MOUNT FOR 50MM POLES

- Adjustable I-Beam (girder) mount for use with 50mm poles
- Cable management
- Supplied with safety bolt for secure installation
- Locking bolt included to securely set the pole vertical at any angle up to 40°
- Fits I-Beams and thick steel from 80mm – 250mm in width
- **POLE SOLD SEPARATELY**



COMPATIBILITY



FEATURES



Available in
Black, Silver

PACKAGING

PRO

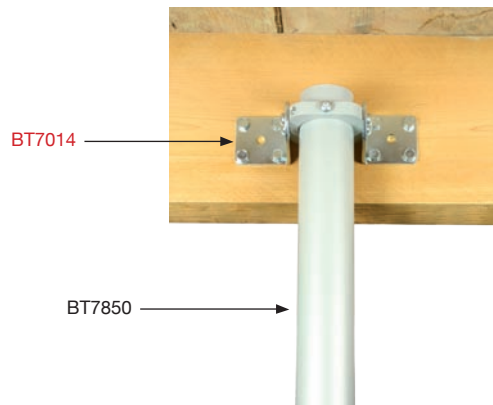
ACCESSORIES

Security Fasteners

BT7014

JOIST MOUNT FOR 50MM POLES

- Designed to be mounted to the side / underside of a beam / joist
- Supplied with safety bolt for secure installation
- Can be bolted through a joist using supplied back plates
- Screws / bolts not included
- **POLE SOLD SEPARATELY**



COMPATIBILITY



FEATURES



Available in
Zinc

PACKAGING

PRO

ACCESSORIES

Security Fasteners

BT7825

TRUSS CLAMP FOR 50MM / 2" POLES

- Adjustable adaptor for attaching 50mm poles to truss systems, scaffolding and other horizontal poles
- Cable management
- Supplied with safety bolt for secure installation
- Fits truss size from 42mm – 50mm
- Zinc plated clamp
- **POLE SOLD SEPARATELY**



COMPATIBILITY



FEATURES



Available in
Black, Silver, Chrome

PACKAGING

PRO

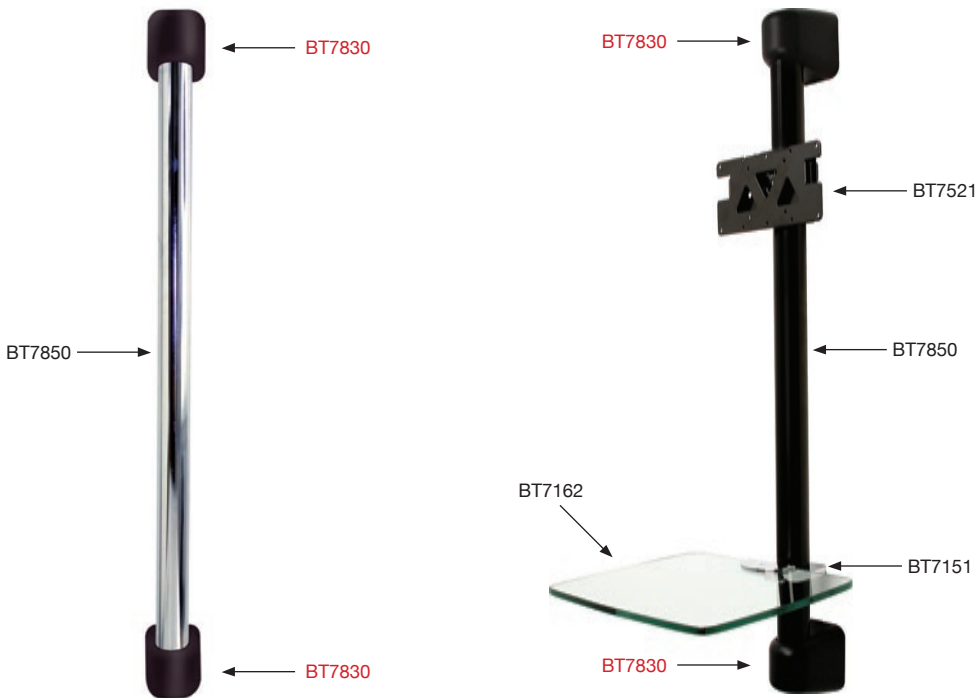
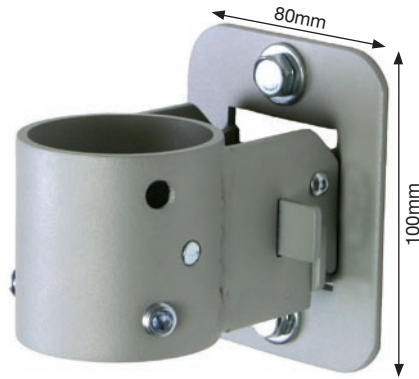
ACCESSORIES

Security Fasteners

BT7830

WALL MOUNTING BRACKET FOR 50MM POLES

- Wall bracket for attaching 50mm poles to the wall
- Covers included for smart installation
- Can be used with any length Ø50mm B-Tech pole
- 48mm from wall when mounted
- Supplied with safety bolt for secure installation
- Maximum load weight 120kg when used with 2 x BT7830
- **MINIMUM OF 2 BT7830's REQUIRED FOR SECURE POLE MOUNTING**
- **POLE SOLD SEPARATELY**
- **ONLY 1 SUPPLIED PER BOX**



COMPATIBILITY



FEATURES



Available in
Black, Silver

PACKAGING

PRO

ACCESSORIES

Use with BT7052 to
mount accessories:
BT7521
BT7037

Security Fasteners

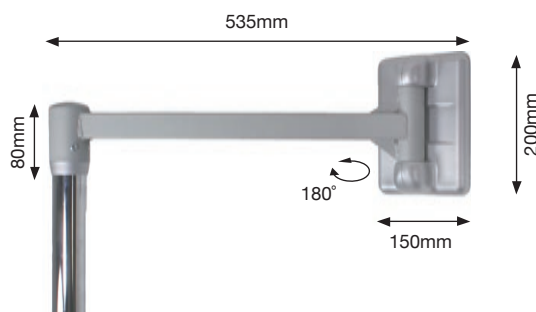
NUMBERS

Registered Design No.
3015404

BT7803

WALL ARM FOR 50MM POLES

- Single arm for 180° swivel
- Coverplate included for smart installation
- Supplied with safety bolt for secure installation
- Arm length: 535mm
- **POLE SOLD SEPARATELY**



COMPATIBILITY



FEATURES



Available in
Black, Silver

PACKAGING

PRO

ACCESSORIES

Security Fasteners

BT7850

50MM DIAMETER POLES

- Available in black, silver or chrome
- Can be cut to length if required
- Poles are internally unobstructed to allow cables to pass through easily
- Features safety bolt holes at top and bottom for secure installation
- Poles can be linked together using BT7823 or BT7824
- Includes BT7057 pole ring
- **Cut to length service available, please contact us for details**

BT7850-025
0.25m pole

BT7850-05
0.5m pole

BT7850-10
1m pole

BT7850-15
1.5m pole

BT7850-20
2m pole



COMPATIBILITY



FEATURES



Available in
Black, Silver, Chrome

PACKAGING

PRO

ACCESSORIES

BT7850-CAP
BT7057
BT7823
BT7824
Security Fasteners

BT7823

INTERNAL 50MM POLE JOINER

- Joins two 50mm poles together internally
- Still allows cables to pass through extension poles
- Hidden from view once installed
- Zinc plated
- **POLE SOLD SEPARATELY**



BT7823

BT7850



FEATURES



Available in
Zinc

PACKAGING

PRO

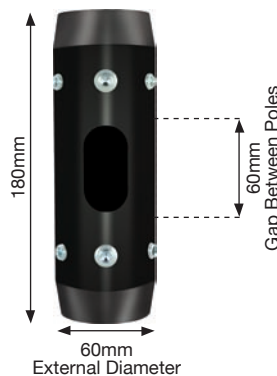
ACCESSORIES

Security Fasteners

BT7824

EXTERNAL 50MM POLE JOINER

- Joins two 50mm poles together externally
- Cable management to allow cable access
- Can be used as a mid-pole cable exit point
- Supplied with safety bolts for secure installation
- **POLE SOLD SEPARATELY**



FEATURES



Available in
Black, Silver, Chrome

PACKAGING

PRO

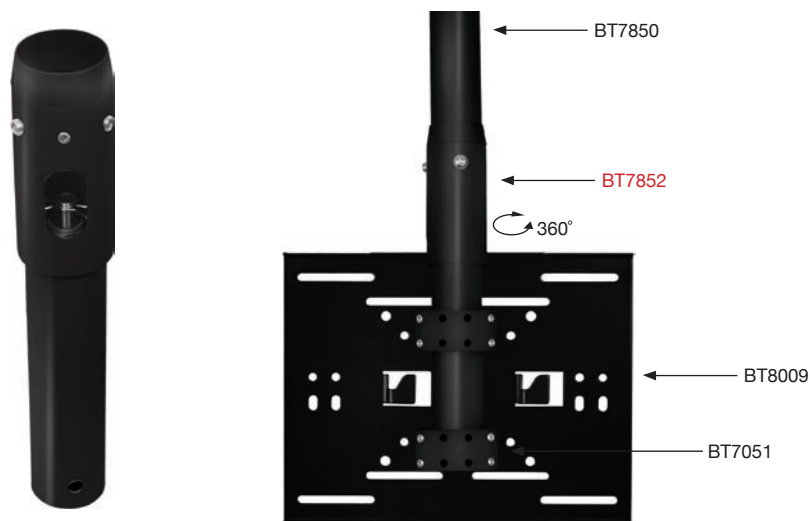
ACCESSORIES

Security Fasteners

BT7852

SWIVEL ADAPTOR FOR 50MM POLES

- Swivel adaptor for 50mm poles
- Allows a screen or AV equipment mounted at the bottom of a vertical pole to be swivelled 360°
- Swivel action has moderate resistance to prevent unwanted movement
- Must be used in conjunction with 50mm pole – cannot be mounted directly to ceiling mount
- Suitable for loads up to 70kg
- **CEILING MOUNTS, POLE AND FLAT SCREEN INTERFACE SOLD SEPARATELY**



COMPATIBILITY



FEATURES



Available in
Black, Silver, Chrome

PACKAGING

PRO

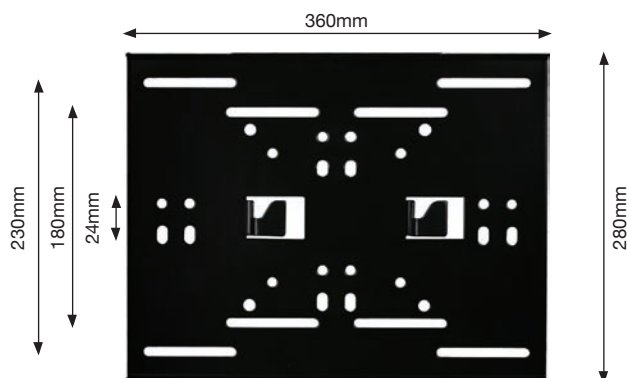
ACCESSORIES

**BT8026
BT8027
BT8009
Security Fasteners**

BT8009

FLAT SCREEN MOUNTING PLATE LOW PROFILE

- Suitable for concrete / brick or stud wall up to 12"
- Mounts screen only 22mm from wall when BT7507 interface kit used, 41mm when BT8600 / BT8500 / BT8501 used
- Security Allen key and screws provided
- Simple hook-on installation with all mounting hardware included
- Compatible with BT8016, BT8017 and BT8026, BT8027 for back to back screen mounting
- Fixes to BT8003 or BT8005 for flat to wall option (without tilt)
- Fixes to non B-Tech trolley / floor stands (with pole centres 62.5mm - 157.5mm or 204mm - 299mm) using accessory collars
- Fits industry standard 150 x 150mm fixing points
- **COLLARS NOT INCLUDED**
- **MUST BE USED WITH FLAT SCREEN INTERFACE KIT (BT7507 / BT8600 / BT8500 / BT8501)**
- * Actual screen size and weight limit dependant on which screen interface is used



Screen Size*	23" - 60"
Max. Weight*	70kg (150lbs)
Dist. From Wall	22mm or 41mm

COMPATIBILITY



FEATURES



Available in
Black, Silver

PACKAGING

PRO

ACCESSORIES

Flat Screen Interface Kit
**BT7507
BT8600
BT8500
BT8501**

**BT8026
BT8027
BT8003
BT8005
BT8412
BT8413**

BT8026

LARGE FLAT SCREEN 50MM POLE MOUNT

- 2 Heavy duty collars included with covers
- Mounts screen in landscape or portrait style
- Security Allen key and screws provided
- Supplied with safety bolt for secure installation
- Simple hook-on installation with all mounting hardware included
- Use with BT8009 for back-to-back screen installations
- Can be used with both vertical and horizontal poles
- **MUST BE USED WITH FLAT SCREEN INTERFACE KIT (BT7507 / BT8600 / BT8500 / BT8501)**
- **CEILING MOUNTS, POLE AND FLAT SCREEN INTERFACE SOLD SEPARATELY**



COMPATIBILITY



FEATURES



Available in
Black, Silver

PACKAGING

PRO

ACCESSORIES

Flat Screen Interface Kit
BT7507
BT8600
BT8500
BT8501

BT8009
Security Fasteners

BT8027

LARGE FLAT SCREEN 50MM POLE MOUNT WITH TILT

- Tilts up to +20° with fixed positions of 0°, 15° and 20°
- 2 Heavy duty collars included with covers
- Mounts screen in landscape or portrait style
- Security Allen key and screws provided
- Supplied with safety bolt for secure installation
- Simple hook-on installation with all mounting hardware included
- Use with BT8009 for back-to-back screen installations (only one screen will tilt)
- Can be used with both vertical and horizontal poles
- **MUST BE USED WITH FLAT SCREEN INTERFACE KIT (BT7507 / BT8600 / BT8500 / BT8501)**
- **CEILING MOUNTS, POLE AND FLAT SCREEN INTERFACE SOLD SEPARATELY**



COMPATIBILITY



FEATURES



Available in
Black, Silver

PACKAGING

PRO

ACCESSORIES

Flat Screen Interface Kit
BT7507
BT8600
BT8500
BT8501

BT8009
Security Fasteners

BT7055

50MM POLE CEILING FINISHING RING

- Escutcheon ring designed to improve the installed look of a ceiling or floor mounted pole
- Attractive appearance when used with a suspended ceiling
- Designed for 50mm poles only
- **POLE SOLD SEPARATELY**



FEATURES



PACKAGING

PRO

Available in
Black, Silver,
White, Chrome

BT7056

50MM POLE FLOOR FIXING KIT

- Allows poles to be fixed to the floor to stop lateral movement in a floor to ceiling installation
- Suitable for most floor types including concrete and wooden floors
- Chrome cover and fixing hardware included
- Kit comprises of three different solutions for optimum installation choice
- **POLE MUST BE SUSPENDED FROM A CEILING MOUNT**
- * Please note: When the load is taken by this product it is necessary to support the pole at the top as per a standard ceiling installation



FEATURES



Available in
Chrome

PACKAGING

PRO

ACCESSORIES

BT7055
Alternative Cover Colour

NUMBERS

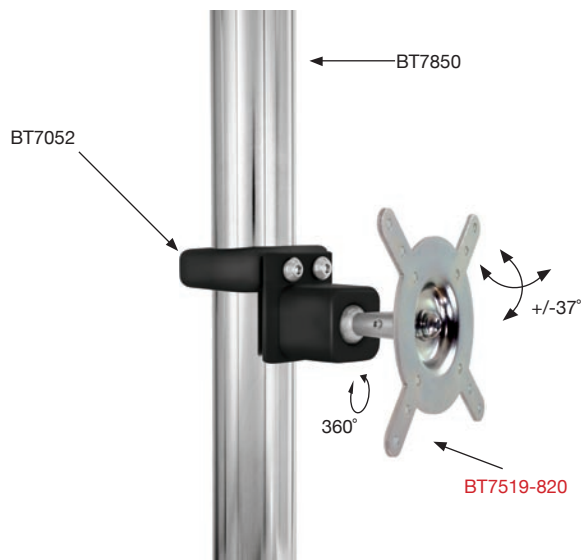
Registered Design No:
4003652
4003653

	Fixing A	Fixing B	Fixing C
Recommended Installation	Load ideally suspended from the ceiling	Load taken by the floor or suspended from the ceiling	Load taken by the floor only
Fixing Method	Centre only	Centre or External	External only
Trim Ring	Optional	Advisable	Advisable
Features	Hidden fixings. Pole length tolerance up to minus 10mm.	Plate to spread load. Pole length tolerance up to minus 10mm.	Plate to spread load. Clear hole in centre to pass cables.

BT7519-820

AVIBALL POLE MOUNTED VESA SCREEN MOUNT

- Fits 50mm x 50mm, 75mm x 75mm and 100mm x 100mm VESA mounting patterns
- Also available in component parts – see below
- Tilts +/-37°
- 360° rotation
- **Must be used with B-Tech accessory collar**



Screen Size	10" - 23"
Max. Weight	15kg (33lbs)
VESA Compatibility	50 x 50 75 x 75 100 x 100
Tilt	+/-37°
Swivel	74°

Colours Available **Black, Silver**

Component parts: BT7820 Ball Joint & BT7588 VESA interface



COMPATIBILITY



FEATURES



Available in **Black, Silver**

PACKAGING



ACCESSORIES

- Security Fasteners**
BT7052
BT7260
BT7506
BT7502
BT7590

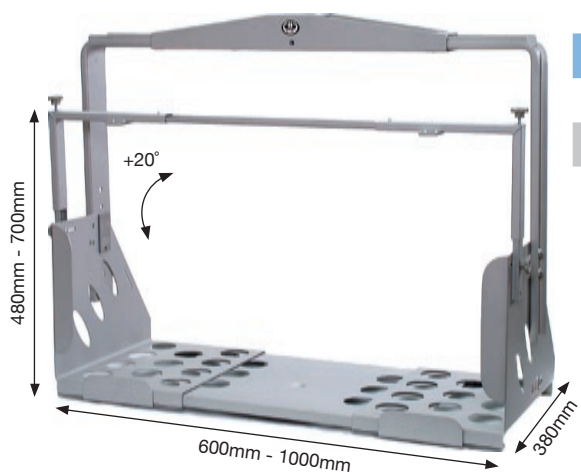
NUMBERS

Patent No: 2437850B

BT7000

HEAVY DUTY 21" - 33" CRT CRADLE

- Designed for traditional CRT televisions from 21" - 33"
- Tilts +20°
- Simple installation with all mounting hardware included
- Cradle dimensions:
Platform width: 600mm - 1000mm
Cradle depth: 380mm
Cradle height: 480mm - 700mm
- **CEILING AND WALL MOUNTS SOLD SEPERATELY**
- **Compatible with all 'M16' threaded ceiling and wall mounts, including 60mm range**
- **Supplied with BT7019 50mm pole adaptor where required**



Screen Size	21" - 33"
Max. Weight	90kg (198lbs)
Tilt	+20°

Colours Available **Graphite Black, Silver**

COMPATIBILITY



FEATURES



Available in **Graphite Black**

PACKAGING







ACCESSORIES

- BT20**
Security Fasteners

BT7052	50MM ACCESSORY COLLAR <ul style="list-style-type: none"> Accessory collar for use with 50mm poles. Includes silver, black or chrome coverplate 				Available in Black, Silver, Chrome
				NUMBERS	<i>Registered Design No: 4003652</i>

BT7051	50MM HEAVY DUTY ACCESSORY COLLAR <ul style="list-style-type: none"> Heavy duty accessory collar for use with 50mm poles Double attachment 				Available in Black, Silver, Chrome
				NUMBERS	<i>Registered Design No: 4003652</i>

BT7520	50MM RETRO-FIT ACCESSORY COLLAR <ul style="list-style-type: none"> Accessory collar for use with 50mm poles Clamp on design ideal for retro-fitting Suits any pole with a 2" / 50mm diameter 				Available in Black, Silver
				NUMBERS	<i>Registered Design No: 4003652</i>

BT7260	60MM ACCESSORY COLLAR <ul style="list-style-type: none"> Accessory collar for use with 60mm ceiling poles, LCD trolleys and floor stands Includes chrome or silver coverplate 				Available in Black, Silver, Chrome
				NUMBERS	<i>Registered Design No: 4003652</i>

BT7060	60MM HEAVY DUTY ACCESSORY COLLAR <ul style="list-style-type: none"> Heavy duty accessory collar for use with 60mm ceiling poles, LCD trolleys and floor stands Double attachment 				Available in Black, Silver, Chrome
				NUMBERS	<i>Registered Design No: 4003652</i>

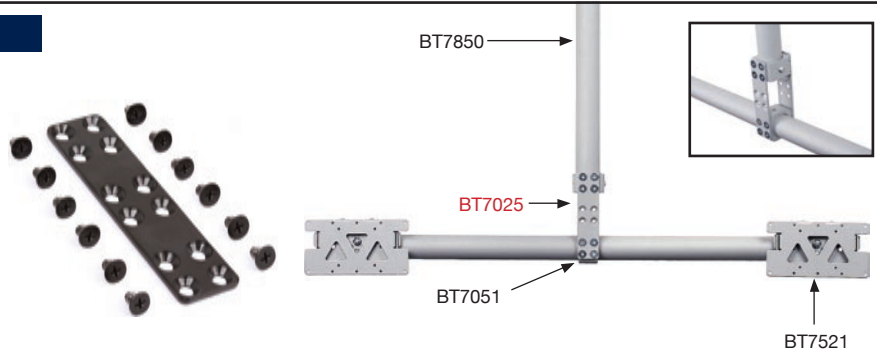
BT8435	50MM COLLAR KIT FOR POLE MOUNTING B-TECH HOOK ON MOUNTS <ul style="list-style-type: none"> Collar kit which allows B-Tech hook-on mounts (BT8431 and BT8432) to be attached to single 50mm poles Can be used for back-to-back mounting Kit comprises 2 x heavy duty collars & mounting spacers BT8436 version available for Ø60mm poles 				Available in Black, Silver
				NUMBERS	<i>Registered Design No: 4003652</i>

<p>BT7035</p>	<p>35MM ACCESSORY COLLAR</p> <ul style="list-style-type: none"> Accessory collar for use with inner tubes of BT890, BT880-M, BT880-L, BT870-M, BT870-L 				<p>Available in Black, Silver</p>
<p>BT7042</p>	<p>42MM ACCESSORY COLLAR</p> <ul style="list-style-type: none"> Accessory collar for use with outer tubes of BT890, BT880-M, BT880-L, BT870-M, BT870-L 				<p>Available in Black, Silver</p>
<p>BT7024</p>	<p>MULTI-PURPOSE FIXING</p> <ul style="list-style-type: none"> Multi-purpose fixing to mount equipment such as speakers or notice boards to accessory collars and ball-joints 	 <p>MIN: 67mm - MAX: 84mm</p>			<p>Available in Black, Silver</p>
<p>BT7850 - CAP</p>	<p>END CAP FOR 50MM POLES</p> <ul style="list-style-type: none"> The BT7850-CAP end cap will fit any 50mm pole and is available in silver or black 				<p>Available in Black, Silver</p>
<p>BT7006 - CAP</p>	<p>END CAP FOR 60MM POLES</p> <ul style="list-style-type: none"> The BT7006-CAP end cap will fit any 60mm pole which is not obstructed at the end This end cap is suitable for use with B-Tech floor stand poles or B-Tech trolley poles and is available in silver or black 				<p>Available in Black, Silver</p>
<p>BT7057</p>	<p>50MM (2 INCH) POLE END RING</p> <ul style="list-style-type: none"> The BT7057 pole end ring creates a neat appearance at either end of any B-Tech 50mm pole The ring is quickly and easily fitted by means of a tight and secure push fit This ring also doubles up as a cable protector against the rough edge of hand sawn poles upon cutting to length during installation 				<p>Available in Black, Silver, Chrome</p>
<p>NUMBERS</p>					<p>Registered Design No: 4003652</p>

BT7025

COLLAR ADAPTOR FOR HORIZONTAL POLES

- Allows poles to be mounted horizontally across fixed vertical poles
- Suitable for both 50mm and 60mm poles
- 50mm thin collar BT7052
- 50mm thick collar BT7051
- 60mm thin collar BT7260
- 60mm thick collar BT7060



TYPICAL CONFIGURATIONS

1

BT7025 (x2)
Thick Collar (x2)
B-Tech Pole (x2)

In line 'T' configuration.
The horizontal pole can only be mounted at the end of the vertical pole. Please note: Thick collars must be used for this configuration.

2

BT7025 (x2)
Thin Collar (x2)
Thick Collar (x1)
B-Tech Pole (x3)

In line 'cross' configuration.
This allows multiple horizontal poles to be mounted in line with vertical poles.

3

BT7025 (x1)
Thin Collar (x2)
Thick Collar (x1)
B-Tech Pole (x2)

Horizontal pole mounted in front of a vertical pole.
Can be mounted anywhere along the vertical pole.

4

BT7025 (x2)
Thin Collar (x2)
Thick Collar (x2)
B-Tech Pole (x3)

Horizontal poles mounted back to back in front of a vertical pole.
Can be mounted anywhere along the vertical pole.

5

BT7025 (x2)
Thin Collar (x2)
Thick Collar (x2)
B-Tech Pole (x4)

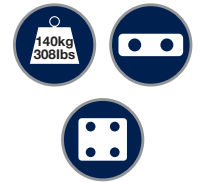
Horizontal poles mounted back to back on the front of two in line vertical poles.
The horizontal poles can only be mounted at the end of the vertical pole.

6

BT7025 (x1)
Thin Collar (x2)
Thick Collar (x1)
B-Tech Pole (x2)

Horizontal pole mounted in front of a vertical pole.
Can be mounted anywhere along the vertical pole. This is an alternative to configuration 'C'. It can also be mounted back to back as an alternative to configuration 'D'.

COMPATIBILITY



FEATURES



Available in
Black, Silver

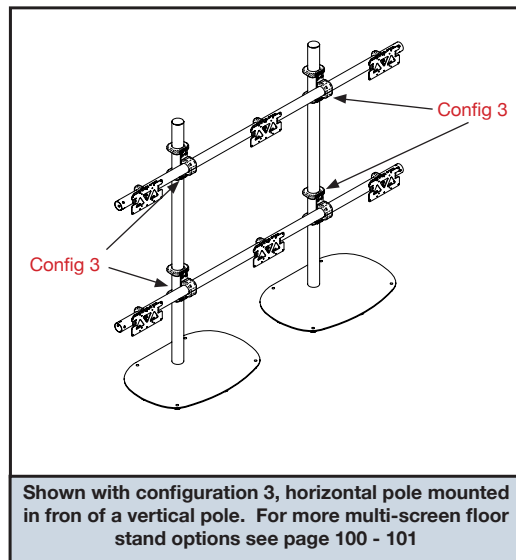
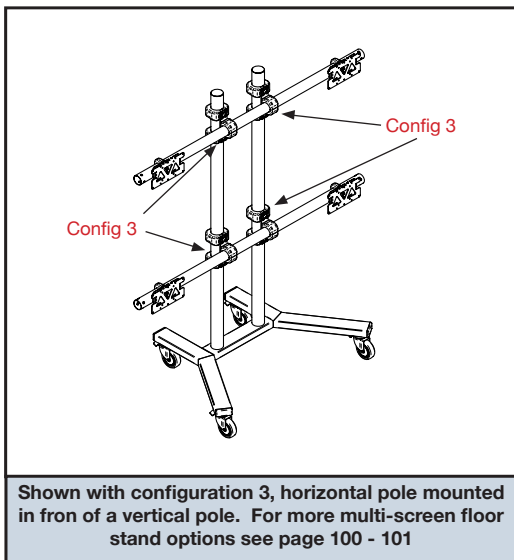
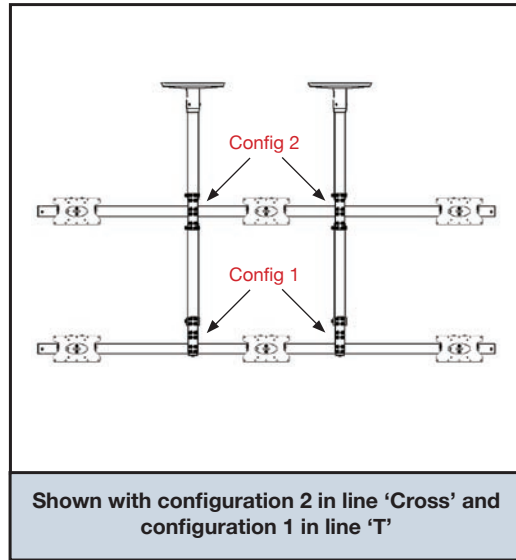
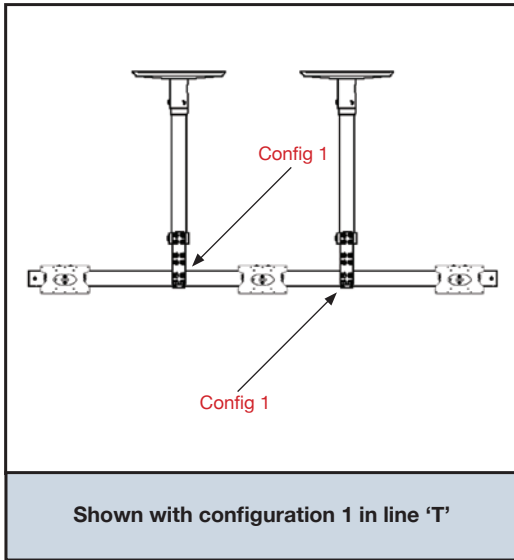
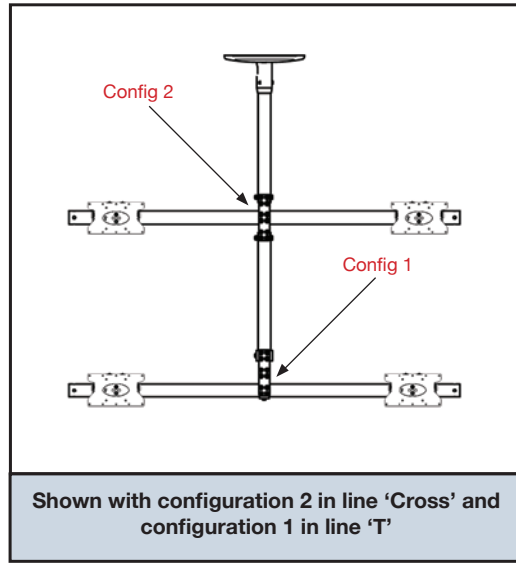
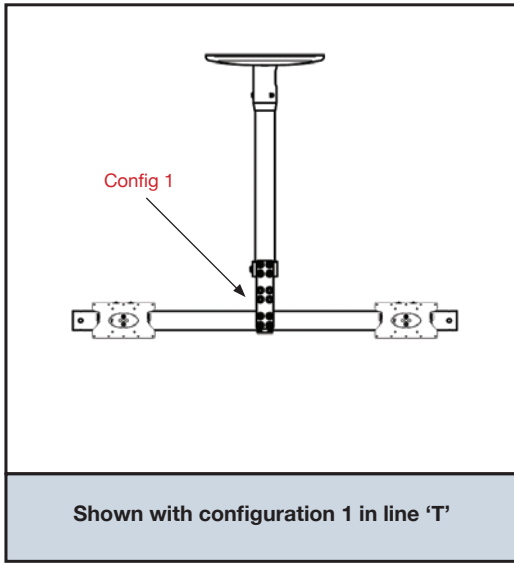
PACKAGING



WARNING

The recommended weight limit of the BT7025 is 140Kg (70Kg each side of the BT7025). Individual weight limits of attached and supporting mounts must not be exceeded. As B-Tech has no control over how this product is used, it is important that installers ensure the structure is strong enough before attaching AV equipment and that the structure is counterbalanced at both ends of all horizontal poles. B-Tech accept no liability for loss or damage caused by improper installation or mounting on unstable structures.

BT7025 EXAMPLE INSTALLATIONS





AV COMPONENT SHELVES

PRO
INSTALL

Designed to compliment a pole mounted screen, the range of B-Tech AV component shelves is the perfect accessory to support all your AV equipment. Compatible with our hugely successful System 2 and floor stand ranges, B-Tech component shelves provide you with a huge choice of accessory mounting options.

AV COMPONENT ACCESSORY SHELVES

B-Tech glass shelves are a stylish add-on for any professional pole installation, floor stand or AV trolley

The 12mm thick, toughened safety glass shelves can be mounted to 1 or 2 poles depending on the model chosen and will support up to 7.5kg or 15kg of AV equipment respectively.

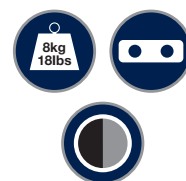


<p>BT7151</p>	<p>50MM GLASS SHELF MOUNT</p> <ul style="list-style-type: none"> Glass shelf mount designed to mount glass shelves to 50mm poles as used with System 2 range 		
<p>BT7161</p>	<p>60MM GLASS SHELF MOUNT</p> <ul style="list-style-type: none"> Glass shelf mount designed to mount glass shelves to 60mm pole system and B-Tech trolleys and floor stands 		<p>Available in Chrome</p> <p>NUMBERS</p> <p>Registered Design No: 3024288</p>
<p>BT7162</p>	<p>SMALL GLASS SHELF</p> <ul style="list-style-type: none"> Mounts across 1 pole Shelf dimensions: 350mm x 300mm 10mm Thick tempered safety glass MUST BE USED WITH 1 x BT7151 or BT7161 		
<p>BT7164</p>	<p>MEDIUM GLASS SHELF</p> <ul style="list-style-type: none"> Can be mounted across 1 pole Shelf dimensions: 470mm x 310mm 10mm Thick tempered safety glass MUST BE USED WITH 1 x BT7151 or BT7161 		
<p>BT7163</p>	<p>LARGE GLASS SHELF</p> <ul style="list-style-type: none"> Can be mounted across 1 pole or 2 poles Shelf dimensions: 500mm x 380mm 10mm Thick tempered safety glass MUST BE USED WITH 1 or 2 x BT7151 or BT7161 		 <p>1 x BT7151 / BT7161</p> <p>2 x BT7151 / BT7161</p>

BT7037

SMALL COMPONENT SHELF

- Low profile component shelf with cross bar provides a rigid platform for all common equipment sizes
- 4 Polished alloy feet with non-slip rubber inlays included
- Feet can be clamped solid in any position
- Best suited for equipment up to 430mm wide and 260mm deep
- **MUST BE USED WITH B-TECH ACCESSORY COLLAR**

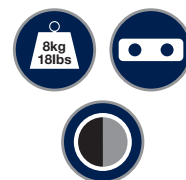
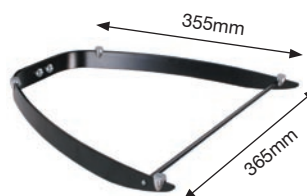


Available in
Black, Silver
Registered Design No.
4003647

BT7038

LARGE COMPONENT SHELF

- Low profile component shelf with cross bar provides a rigid platform for all common equipment sizes
- 4 Polished alloy feet with non-slip rubber inlays included
- Feet can be clamped solid in any position
- Best suited for equipment up to 430mm wide and 330mm deep
- **MUST BE USED WITH B-TECH ACCESSORY COLLAR**

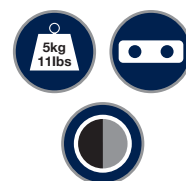


Available in
Black, Silver
Registered Design No.
4003647

BT7030

MEDIUM MDF SHELF

- 300mm x 300mm
- **POLES, ACCESSORY COLLARS AND MOUNTS SOLD SEPARATELY**
- **MUST BE USED WITH B-TECH ACCESSORY COLLAR**

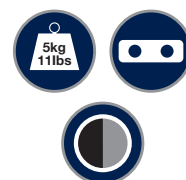


Available in
Black, Silver

BT7040

LARGE MDF SHELF

- 450mm x 400mm
- **POLES, ACCESSORY COLLARS AND MOUNTS SOLD SEPARATELY**
- **MUST BE USED WITH B-TECH ACCESSORY COLLAR**

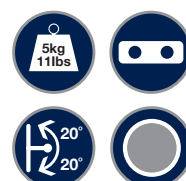


Available in
Black, Silver

BT7036

PROJECTOR SHELF

- 360mm x 360mm with tilt and safety rails
- Tilts +/-20° from horizontal
- Supplied with safety strap
- **POLES, ACCESSORY COLLARS AND MOUNTS SOLD SEPARATELY**
- **MUST BE USED WITH B-TECH ACCESSORY COLLAR**

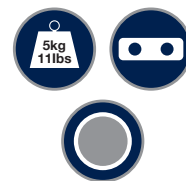


Available in
Silver

BT7503

SMALL UTILITY SHELF

- 250mm x 120mm
- Fits B-Tech accessory collars or BT7512 / BT7513
- Safety strap included
- **POLES, ACCESSORY COLLARS AND MOUNTS SOLD SEPARATELY**
- **MUST BE USED WITH B-TECH ACCESSORY COLLAR OR SCREEN MOUNT**



Available in
Silver



PRO FLAT SCREEN MOUNTS

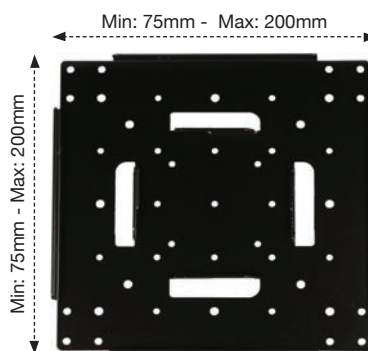
Designed for the professional installer, the range of pro flat screen mounts provides a simple and cost effective flat screen mounting solution for commercial and public installations. The modular range is designed to offer quick and easy installation whilst offering enhanced installation security in a GS/TUV safety certified package.

PRO
INSTALL

BT7507

VESA SCREEN INTERFACE KIT

- Fits 75mm x 75mm, 100mm x 100mm, 200mm x 100mm and 200mm x 200mm VESA mounting patterns
- Simple hook-on installation with all mounting hardware included
- Suitable for screens using M4 and M6 fixings
- Can be fitted to mount in either landscape or portrait style
- **MUST BE USED WITH A PROFESSIONAL SCREEN MOUNTING SOLUTION (BT8000 / BT8001 / BT8002 / BT8009 / BT8004 / BT8005 / BT8003 / BT8026 / BT8027 / BTX26)**



Screen Size	23" - 50"
Max. Weight	70kg / 154lbs
VESA Compatibility	75 x 75 100 x 100 200 x 100 200 x 200



COMPATIBILITY



FEATURES



Available in
Black, Silver

PACKAGING



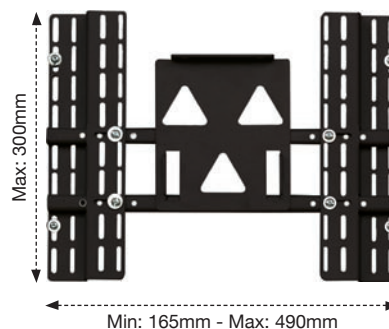
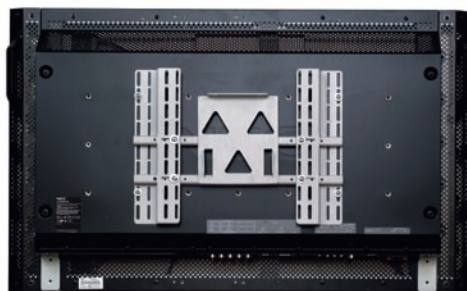
ACCESSORIES

**BT7540
BT7527
BT7508
Security Fasteners**

BT8600

UNIVERSAL FLAT SCREEN INTERFACE KIT

- Suitable for screens between 20" – 40"
- Suitable for screens using M4, M5 and M6 fixings
- Simple hook-on installation with all mounting hardware included
- **MUST BE USED WITH A PROFESSIONAL SCREEN MOUNTING SOLUTION (BT8000 / BT8001 / BT8002 / BT8009 / BT8004 / BT8005 / BT8003 / BT8026 / BT8027 / BTX26)**



Screen Size	20" - 40"
Max. Weight	40kg / 88lbs
Max. Dist. Between Fixings	H: 165mm - 490mm V: 300mm
VESA Compatibility	200 x 100 300 x 200 200 x 200 300 x 300 400 x 200 200 x 300

COMPATIBILITY



FEATURES



Available in
Black, Silver

PACKAGING



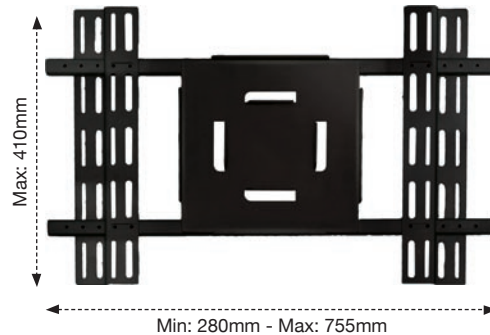
ACCESSORIES

**BT7540
BT7527
BT7508
Security Fasteners**

BT8500

UNIVERSAL FLAT SCREEN INTERFACE KIT

- Suitable for screens between 30" – 50"
- Suitable for screens using M4, M5, M6 and M8 fixings
- Simple hook-on installation with all mounting hardware included
- Can be fitted to mount in either landscape or portrait style
- **MUST BE USED WITH A PROFESSIONAL SCREEN MOUNTING SOLUTION (BT8000 / BT8001 / BT8002 / BT8004 / BTX26 / BT8009 / BT8005 / BT8003 / BT8026 / BT8027)**
- **Is NOT compatible with 200 x 200mm VESA fixings or smaller**



Screen Size	30" - 50"	
Max. Weight	70kg (154lbs)	
Max. Dist. Between Fixings	H: 280mm - 755mm V: 410mm	
VESA Compatibility	400 x 200 300 x 200 300 x 300	400 x 400 600 x 400

COMPATIBILITY



FEATURES



Available in
Black, Silver

PACKAGING



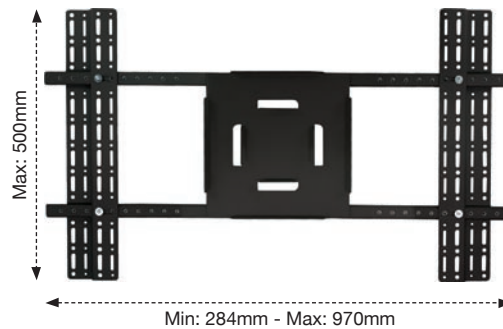
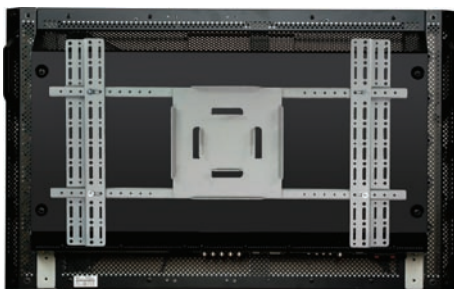
ACCESSORIES

Security Fasteners

BT8501

UNIVERSAL LARGE FLAT SCREEN INTERFACE KIT

- Suitable for screens between 32" – 60"
- Suitable for screens using M4, M5, M6 and M8 fixings
- Simple hook-on installation with all mounting hardware included
- Can be fitted to mount in either landscape or portrait style
- **MUST BE USED WITH A PROFESSIONAL SCREEN MOUNTING SOLUTION (BT8000 / BT8001 / BT8002 / BT8004 / BT8009 / BT8005 / BT8003 / BT8026 / BT8027 / BTX26)**
- **Is NOT compatible with 200 x 200mm VESA fixings or smaller**



Screen Size	32" - 60"	
Max. Weight	70kg (154lbs)	
Max. Dist. Between Fixings	H: 284mm - 970mm V: 500mm	
VESA Compatibility	400 x 200 300 x 200 300 x 300 400 x 400	600 x 400 800 x 400 800 x 500

COMPATIBILITY



FEATURES



Available in
Black, Silver

PACKAGING



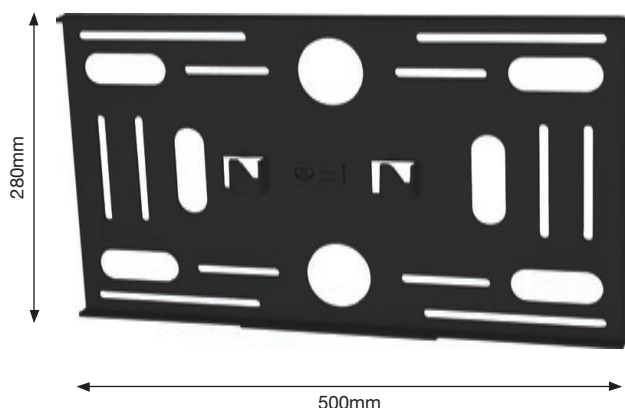
ACCESSORIES

Security Fasteners

BT8000

FLAT SCREEN MOUNTING PLATE LOW PROFILE

- Mounts screen only 22mm from wall when BT7507 interface kit used, 41mm when BT8600 / BT8500 / BT8501 used
 - Allows screen to be mounted in portrait or landscape orientation
 - Suitable for concrete / brick or stud walls up to 16"
 - Security Allen key and screws provided
 - Simple hook-on installation with all mounting hardware included
 - **MUST BE USED WITH FLAT SCREEN INTERFACE KIT (BT7507 / BT8600 / BT8500 / BT8501)**
- * Actual screen size and weight limit dependant on which screen interface is used



Screen Size*	23" - 60"
Max. Weight*	70kg (154lbs)
Dist. From Wall	22mm or 41mm



Suitable for Landscape or Portrait mounting

COMPATIBILITY



FEATURES



Available in
Black, Silver

PACKAGING



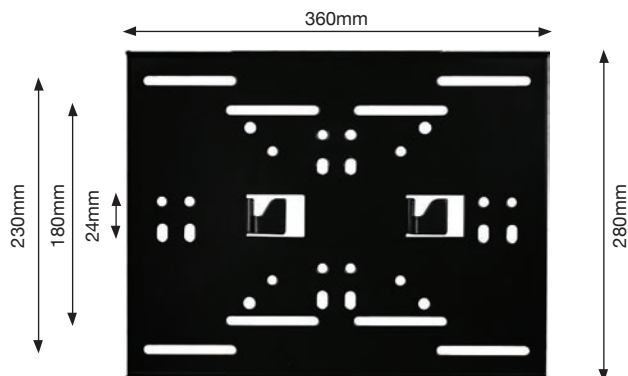
ACCESSORIES

Flat Screen Interface Kit
BT7507
BT8600
BT8500
BT8501

BT8009

FLAT SCREEN MOUNTING PLATE LOW PROFILE

- Suitable for concrete / brick or stud wall up to 12"
 - Mounts screen only 22mm from wall when BT7507 interface kit used, 41mm when BT8600 / BT8500 / BT8501 used
 - Allows screen to be mounted in portrait or landscape orientation
 - Security Allen key and screws provided
 - Simple hook-on installation with all mounting hardware included
 - Compatible with BT8016, BT8017 and BT8026, BT8027 for back to back screen mounting
 - Fixes to BT8003 or BT8005 for flat to wall option (without tilt)
 - Fixes to non B-Tech trolley / floor stands (with pole centres 62.5mm - 157.5mm or 204mm - 299mm) using accessory collars
 - Fits industry standard 150 x 150mm fixing points
 - **COLLARS NOT INCLUDED**
 - **MUST BE USED WITH FLAT SCREEN INTERFACE KIT (BT7507 / BT8600 / BT8500 / BT8501)**
- * Actual screen size and weight limit dependant on which screen interface is used



Screen Size*	23" - 60"
Max. Weight*	70kg (150lbs)
Dist. From Wall	22mm or 41mm



Suitable for Landscape or Portrait mounting

COMPATIBILITY



FEATURES



Available in
Black, Silver

PACKAGING



ACCESSORIES

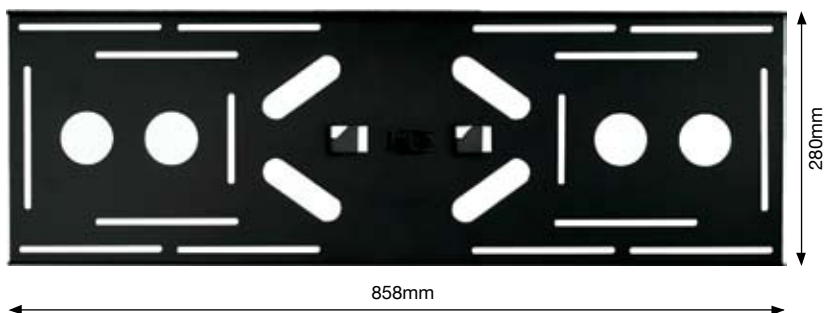
Flat Screen Interface Kit
BT7507
BT8600
BT8500
BT8501

BT8026
BT8027
BT8003
BT8005
BT8412
BT8413

BT8001

FLAT SCREEN MOUNTING PLATE EXTRA WIDE

- Mounts screen only 22mm from wall when BT7507 interface kit used, 41mm when BT8600 / BT8500 / BT8501 used
- Suitable for concrete / brick or stud walls up to 32"
- Security Allen key and screws provided
- Simple hook-on installation with all mounting hardware included
- **MUST BE USED WITH FLAT SCREEN INTERFACE KIT (BT7507 / BT8600 / BT8500 / BT8501)**
- * Actual screen size and weight limit dependant on which screen interface is used



Screen Size*	37" - 60"
Max. Weight*	70kg (150lbs)
Dist. From Wall	22mm or 41mm

COMPATIBILITY



FEATURES



Available in
Black, Silver

PACKAGING

PRO

ACCESSORIES

Flat Screen Interface Kit
BT7507
BT8600
BT8500
BT8501

NUMBERS

Registered Design No.
3015404

BT8002

FLAT SCREEN MOUNTING PLATE WITH TILT

- Mounts screen only 46mm from wall when BT7507 interface kit used, 65mm when BT8600 / BT8500 / BT8501 used
- Tilts +20° and can be fixed at 0°, 5° & 10°
- Allows screen to be mounted in portrait or landscape orientation
- Suitable for concrete / brick or stud walls up to 16"
- Security Allen key and screws provided
- Simple hook-on installation with all mounting hardware included
- **MUST BE USED WITH FLAT SCREEN INTERFACE KIT (BT7507 / BT8600 / BT8500 / BT8501)**
- * Actual screen size and weight limit dependant on which screen interface is used

Screen Size*	23" - 60"
Max. Weight*	70kg (154lbs)
Dist. From Wall	46mm
Tilt	+20°



Suitable for Landscape or Portrait mounting



COMPATIBILITY



FEATURES



Available in
Black, Silver

PACKAGING

PRO

ACCESSORIES

Flat Screen Interface Kit
BT7507
BT8600
BT8500
BT8501

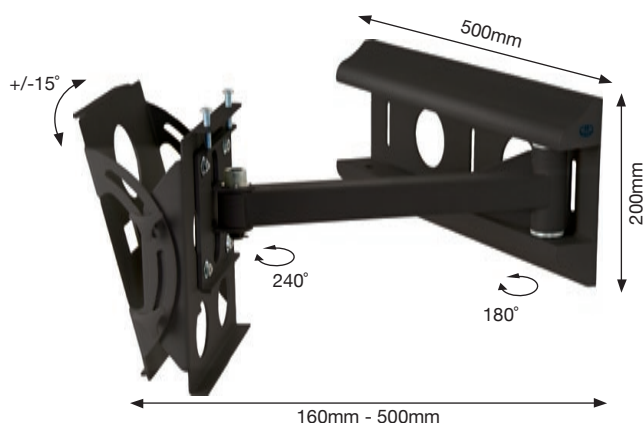
NUMBERS

Registered Design No.
3017233

BT8005

HEAVY DUTY LARGE FLAT SCREEN WALL MOUNT SINGLE ARM

- Suitable for screens between 32" – 60"
- Mounts screens from 160mm - 500mm from wall
- Tilts +/-15°
- Swivels at screen and wall plate
- Horizontal screen levelling & screen can be mounted in landscape or portrait orientation
- Suitable for concrete / brick or stud walls up to 16"
- Choice of 5 arm mounting positions on wall plate
- Simple installation with all mounting hardware included
- For a more flush installation without tilt, use with BT8009
- **MUST BE USED WITH FLAT SCREEN INTERFACE KIT (BT7507 / BT8600 / BT8500 / BT8501)**
- * Actual screen size and weight limit dependant on which screen interface is used



Screen Size*	32" - 60"
Max. Weight*	70kg (154lbs)
Dist. From Wall	160mm - 500mm
Tilt	+/-15°
Swivel	180°, 240°

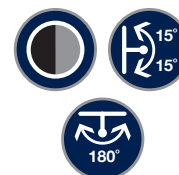


Suitable for Landscape or Portrait mounting

COMPATIBILITY



FEATURES



Available in
Black, Silver

PACKAGING

PRO

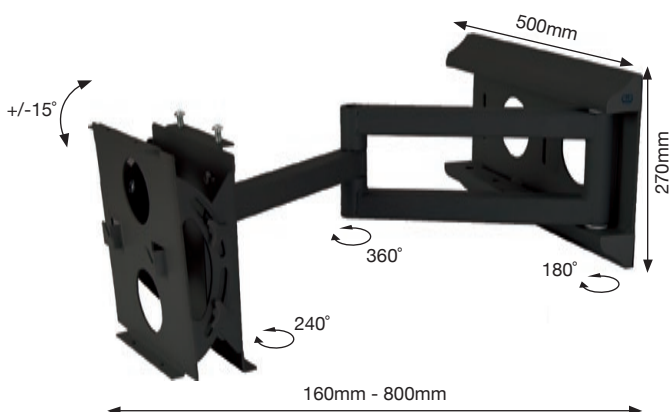
ACCESSORIES

Flat Screen Interface Kit
BT7507
BT8600
BT8500
BT8501
BT8009 for Flush Mount
Security Fasteners

BT8003

HEAVY DUTY LARGE FLAT SCREEN WALL MOUNT DUAL ARM

- Suitable for screens between 32" – 60"
- Mounts screens from 160mm - 800mm from wall
- Tilts +/-15°
- Double arm for maximum swivel
- Horizontal screen levelling & screen can be mounted in landscape or portrait orientation
- Suitable for concrete / brick or stud walls up to 16"
- Choice of 5 arm mounting positions on wall plate
- Simple installation with all mounting hardware included
- For a more flush installation without tilt, use with BT8009
- **MUST BE USED WITH FLAT SCREEN INTERFACE KIT (BT7507 / BT8600 / BT8500 / BT8501)**
- * Actual screen size and weight limit dependant on which screen interface is used



Screen Size*	32" - 60"
Max. Weight*	70kg (154lbs)
Dist. From Wall	160mm - 800mm
Tilt	+/-15°
Swivel	180°, 360°, 240°

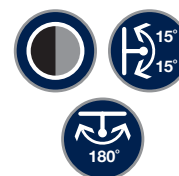


Suitable for Landscape or Portrait mounting

COMPATIBILITY



FEATURES



Available in
Black, Silver

PACKAGING

PRO

ACCESSORIES

Flat Screen Interface Kit
BT7507
BT8600
BT8500
BT8501
BT8009 for Flush Mount
Security Fasteners



FLAT SCREEN TROLLEYS AND FLOOR STANDS

This heavy duty, robust, yet stylish range of trolleys and floor stands offers the perfect blend of a long lasting build quality and striking good looks. From Plasmas to projectors, mobile or static, the range is ideal for schools, colleges, hospitals, hotels, exhibitions, digital signage sites and any training environment. Accompanying shelving solutions from our AV accessory collection compliment this range perfectly.

PRO
INSTALL

BT8504

LARGE FLAT SCREEN DISPLAY TROLLEY

- Heavy duty stylish flat screen trolley suitable for screens up to 50"
- Mounts screen in landscape or portrait style
- Security Allen key and screws provided
- Includes universal flat screen Interface Kit
- Non-marking 4" locking/braked castors included
- Also supplied with optional screw in levelling feet
- 1.5m Ø60mm chrome poles supplied with 5 cable management holes
- Trolley Dimensions (including wheels): Height: 1675mm Depth: 711mm Width: 1046mm

Screen Size 30" - 50"

Max. Weight 70kg (154lbs)

Max. Dist. Between Fixings H: 280mm - 755mm
V: 410mm

VESA Compatibility	75 x 75	400 x 200
	100 x 100	200 x 300
	200 x 100	300 x 300
	200 x 200	400 x 400
	300 x 200	600 x 400



Optional levelling feet & braked castors supplied



COMPATIBILITY

70kg
154lbs

50"
127cm

FEATURES



Available in
Black, Silver

PACKAGING

PRO

ACCESSORIES

2 x BT7161 + BT7163
1 x BT7161 +
BT7162 / BT7164

BT7260 + BT7040
BT7260 + BT7030

Security Fasteners



*CUSTOMISE



Shown with BT7163 Glass Shelf and 2 x BT7161 Glass Shelf Brackets



Shown With 2x BT7260, BT8009 & Screen Interface for dual screen mounting

BT7504

MEDIUM FLAT SCREEN DISPLAY TROLLEY

- Stylish LCD trolley suitable for screens up to 32"
- Fits 75mm x 75mm, 100mm x 100mm and 200mm x 100mm VESA mounting patterns
- Non-marking 50mm braked castors included
- Also supplied with optional screw in levelling feet
- 1.1m Ø60mm Chrome pole supplied with 4 cable management
- Trolley Dimensions (including wheels):
Height: 1310mm Depth: 455mm Width: 735mm
- **ADAPTOR PLATES AVAILABLE:**
 - BT7502 for VESA 200 x 200mm
 - BT7541 for 300 x 200mm fixings
 - BT7505 for VESA 400 x 200, 300 x 300 and non-VESA
H: 123mm - 570mm V: 300mm

Screen Size	15" - 32"
Max. Weight	24kg (53lbs)
VESA	75 x 75 100 x 100 200 x 100



***CUSTOMISE**
Optional DVD Player / VCR MDF Shelf (BT7040 Shelf + BT7260 Collar) or Tempered Glass Shelf BT7162 /BT7164 + BT7161 bracket available)

COMPATIBILITY



FEATURES



Available in
Piano Black, Silver

PACKAGING



ACCESSORIES

BT7502
BT7505
BT7161 + BT7164
+BT7162

BT7260 + BT7040
BT7260 + BT7030

Security Fasteners

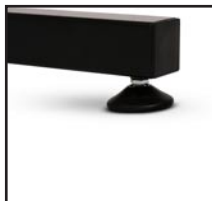
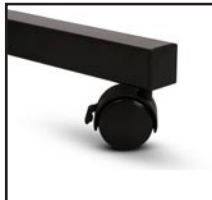
BT890

PROJECTOR TROLLEY

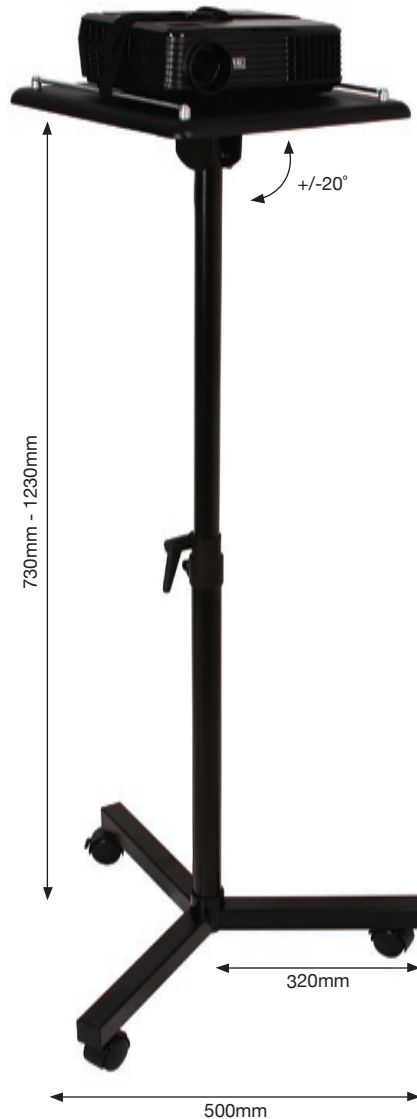
- Designed for use with projectors but may also be used as a portable lectern
- Supplied with braked castors and optional levelling feet for extra stability
- Supplied with safety rails and safety strap for secure installation
- Adjustable height (with castors): 785mm - 1265mm
- Adjustable height (with feet): 730mm - 1230mm
- Platform dimensions: 290mm x 360mm
- Adjustable tilt: +/-20°
- Inner pole diameter: 35mm
- Outer pole diameter: 42mm
- Easy to assemble



***CUSTOMISE**
Optional laptop shelf
(BT7030 Shelf + BT7035 Collar)



Optional levelling feet & braked castors supplied



COMPATIBILITY



FEATURES



Available in
Piano Black, Silver

PACKAGING

PRO

ACCESSORIES

BT7035
BT7042
BT7030

Security Fasteners

Please see pages 90-91 for ordering information



BT4000
SMALL FLOOR BASE

- Stylish small floor base suitable for LCD screens up to 23"
- Can be used free standing or bolted to the floor
- Supplied with optional rubber feet for use when free standing
- Screen size and weight may be increased if floor base is bolted to the floor
- Requires 1 support column
- **Maximum recommended screen size and weight when used free standing: 23" / 15kg**
- **For multiple screen installations, see page 100-101**
- **SUPPORT COLUMN, SCREEN MOUNT AND ACCESSORIES ALL SOLD SEPARATELY**



BT4001
MEDIUM FLOOR BASE

- Stylish medium floor base suitable for LCD screens up to 32"
- Can be used free standing or bolted to the floor
- Supplied with optional rubber feet for use when free standing
- Screen size and weight may be increased if floor base is bolted to the floor
- Requires 1 support column
- **Maximum recommended screen size and weight when used free standing: 32" / 24kg**
- **For multiple screen installations, see page 100-101**
- **SUPPORT COLUMN, SCREEN MOUNT AND ACCESSORIES ALL SOLD SEPARATELY**

SUPPORT COLUMNS

FOR USE WITH THE BT4000 RANGE

All columns are available in Black, Silver, Chrome and have cable management on the rear for smart installation

BT4005
0.5m long, 60mm diameter support column for B-Tech floor bases

BT4011
1.1m long, 60mm diameter support column for B-Tech floor bases

BT4015
1.5m long, 60mm diameter support column for B-Tech floor bases

BT4020
2.0m long, 60mm diameter support column for B-Tech floor bases



POLE SUITABILITY TABLE

BASE SIZE	MODEL NUMBER	POLE LENGTH			
		0.5M	1.1M	1.5M	2.0M
SMALL	BT4000	✓	✓	⊗	⊗
MEDIUM	BT4001	✓	✓	✓	⊗
LARGE	BT4002	✓	✓	✓	✓
LARGE	BT4003	✓	✓	✓	✗

KEY



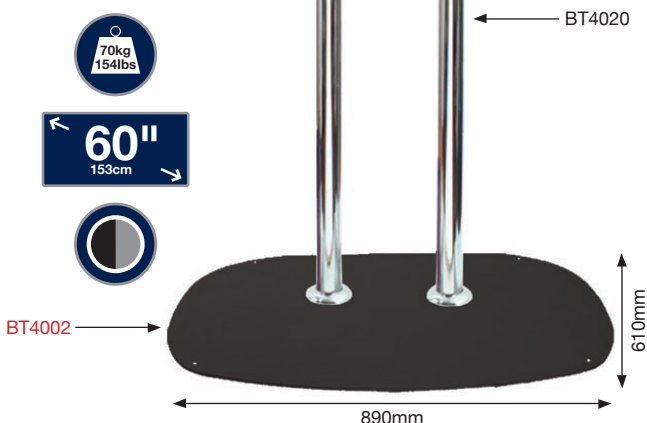
SAFE FOR FREE STANDING



NOT SUITABLE



MUST BE BOLTED TO THE FLOOR



BT4002
LARGE FLOOR BASE

- Stylish large floor base suitable for flat screens up to 60"
- Can be used free standing or bolted to the floor
- Supplied with optional rubber feet for use when free standing
- Screen size and weight may be increased if floor base is bolted to the floor
- Requires 2 support columns
- **Maximum recommended screen size and weight when used free standing: 60" / 70kg**
- **For multiple screen installations, see page 100-101**
- **SUPPORT COLUMNS, SCREEN INTERFACE KIT AND ACCESSORIES ALL SOLD SEPARATELY**



BT4003
LARGE FLOOR / TROLLEY BASE

- Large floor base suitable for flat screens up to 50"
- Can be used with supplied screw in levelling feet or optional BTW100 wheel castors
- Screen size and weight limit dependant on column length and feet type
- Requires 2 support columns
- **Maximum recommended screen size and weight when used with screw in feet: 50" / 70kg**
- **Screw in wheel casters available separately (BTW100 sold individually or as pack of 4 - BTW100-4)**
- **For multiple screen installations, see page 100-101**
- **SUPPORT COLUMNS, SCREEN MOUNT, ACCESSORY COLLARS, INTERFACE KIT AND ACCESSORIES ALL SOLD SEPARATELY**

BT4000 RANGE RECOMMENDED ACCESSORIES

B-Tech also offer a full range of shelving solutions to compliment the BT4000 range of floor stands. BT7162, BT7164 and BT7163 glass shelves with BT7161 glass shelf mount BT7040 DVD shelf, BT7030 laptop shelf and BT7037 / BT7038 component shelves with BT7260 accessory collar.



Screw in wheel casters suitable for use with BT4003 only

STEP 4

ORDER A
FLAT PANEL
BRACKET /
INTERFACE

BT4000

FLAT SCREEN MOUNT

BT7510 BT7511 BT7521
BT7522 BT7320 BT7505 use 1 collar

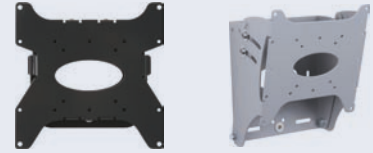


BT7532 BT7533
use 2 collars

BT4001

FLAT SCREEN MOUNT

BT7510 BT7511 BT7521
BT7522 BT7320 BT7505
use 1 collar



BT7532 BT7533
use 2 collars

STEP 3

ORDER AN
ACCESSORY
COLLAR
(2 MAY BE
REQUIRED)

BT7260



BT7260



STEP 2

CHOOSE A
SUPPORT
COLUMN
AND
COLOUR
(BLACK OR
CHROME)

**1 COLUMN
REQUIRED**

BT4005 - 0.5m

BT4011 - 1.1m

BT4015 - 1.5m

BT4020 - 2.0m



**1 COLUMN
REQUIRED**

BT4005 - 0.5m

BT4011 - 1.1m

BT4015 - 1.5m

BT4020 - 2.0m



STEP 1

CHOOSE
A FLOOR
BASE AND
COLOUR
(SILVER OR
BLACK)



BT4000
SMALL FLOOR BASE
DIMENSIONS:
575mm x 395mm



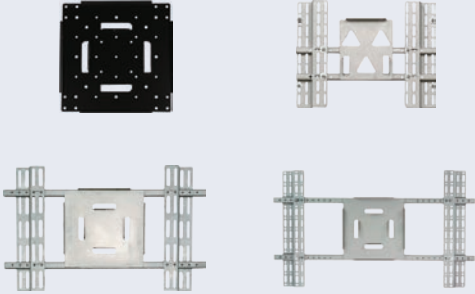
BT4001
MEDIUM FLOOR BASE
DIMENSIONS:
725mm x 495mm



BT4002

INTERFACE KIT

BT7507 / BT8600 / BT8500 / BT8501

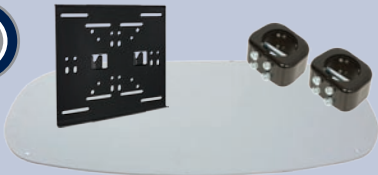


2 x BT7060 COLLARS & MOUNTING PLATE INCLUDED WITH BT4002 FLOOR BASE



2 COLUMNS REQUIRED

- BT4005 - 0.5m
- BT4011 - 1.1m
- BT4015 - 1.5m
- BT4020 - 2.0m

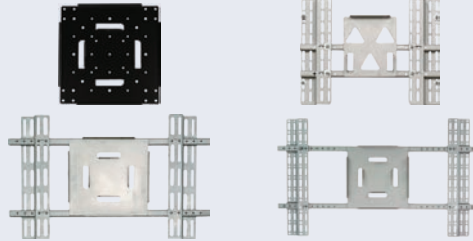


**BT4002
LARGE FLOOR BASE**
DIMENSIONS:
890mm x 610mm

BT4003

INTERFACE KIT

BT7507 / BT8600 / BT8500 / BT8501



This shows the parts required for a typical screen mounting application and is not an exhaustive list of mounting options



**BT8009
MOUNTING PLATE**

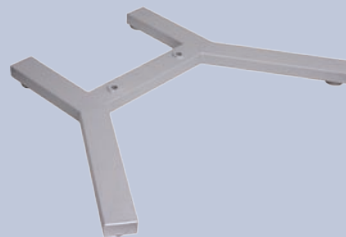


**2 x BT7060
COLLARS**



2 COLUMNS REQUIRED

- BT4005 - 0.5m
- BT4011 - 1.1m
- BT4015 - 1.5m
- BT4020 - 2.0m



**BT4003
LARGE FLOOR BASE**
DIMENSIONS:
1046mm x 711mm

STEP 4

ORDER A
FLAT PANEL
BRACKET /
INTERFACE

STEP 3

ORDER AN
ACCESSORY
COLLAR
(2 MAY BE
REQUIRED)
+ MOUNTING
PLATE FOR
BT4003

STEP 2

CHOOSE A
SUPPORT
COLUMN
AND
COLOUR
(BLACK OR
CHROME)

STEP 1

CHOOSE
A FLOOR
BASE AND
COLOUR
(SILVER OR
BLACK)

**2 x 42" SCREENS, SIDE-BY-SIDE
ON A LARGE FLOOR STAND**



COMPONENTS REQUIRED

- 1 x BT4002 Base + Accessory Kit
- 2 x Poles, BT4015 1.5m or BT4020 2.0m
- 2 x BT7025 Adapter Plate
- 2 x BT7060 60mm HD Collars
- 6 x BT7051 50mm HD Collars
- 1 x BT8009 Screen plate
- 2 x Interface Kits – (choose from BT7507, BT8500, BT8600 or BT8501)
- 1 x Horizontal 50mm pole, BT7850-10 1.0m, BT7850-15 1.5m or BT7850-20 2.0m

**2 x 42" SCREENS ON A LARGE
FLOOR STAND**



COMPONENTS REQUIRED

- 1 x BT4002 Base + Accessory Kit
- 2 x Poles, BT4015 1.5m or BT4020 2.0m
- 2 x BT7060 60mm HD Collars
- 1 x BT8009 Screen plate
- 2 x Interface Kits – (choose from BT7507, BT8500, BT8600 or BT8501)

**4 x 19" SCREENS IN A 2 x 2
FORMATION ON A MEDIUM FLOOR STAND**



COMPONENTS REQUIRED

- 1 x BT4001 Medium Floor Base
- 1 x Pole BT4015 1.5m or BT4020 2.0m
- 2 x BT7260 60mm Slim-line Accessory collars
- 2 x BT7320 AviBall Screen Rail for 2 screens

**6 x 19" SCREENS IN A 2 x 3
FORMATION ON A MEDIUM FLOOR STAND**



COMPONENTS REQUIRED

- 1 x BT4001 Medium Floor Base
- 1 x Pole BT4015 1.5m or BT4020 2.0m
- 3 x BT7260 60mm Slim-line Accessory collars
- 3 x BT7320 AviBall Screen Rail for 2 screens

2 x 32" SCREENS, SIDE-BY-SIDE ON A LARGE FLOOR STAND



COMPONENTS REQUIRED

- 1 x BT4002 Base + Accessory Kit
- 2 x Poles, BT4015 1.5m or BT4020 2.0m
- 2 x BT7025 Adapter Plate
- 2 x BT7060 60mm HD Collars
- 2 x BT7051 50mm HD Collars
- 2 x BT7052 50mm Slim-line Accessory collars
- 2 x BT7521 Screen Mount VESA 200x100 (may require adapter BT7502 or BT7505)
- 1 x Horizontal 50mm pole, BT7850-10 1.0m or BT7850-15 1.5m

4 x 32" SCREENS IN A 2 x 2 FORMATION ON A LARGE FLOOR STAND



COMPONENTS REQUIRED

- 1 x BT4002 Base + Accessory Kit
- 2 x Poles, BT4015 1.5m or BT4020 2.0m
- 4 x BT7025 Adapter Plate
- 6 x BT7060 60mm HD Collars
- 4 x BT7051 50mm HD Collars
- 4 x BT7052 50mm Slim-line Accessory collars
- 4 x BT7521 Screen Mount VESA 200x100 (may require adapter BT7502 or BT7505)
- 2 x Horizontal 50mm pole, BT7850-10 1.0m or BT7850-15 1.5m

6 x 19" SCREENS IN A 3 x 2 FORMATION ON A MEDIUM FLOOR STAND



COMPONENTS REQUIRED

- 1 x BT4001 Medium Floor Base
- 1 x Pole BT4015 1.5m or BT4020 2.0m
- 2 x BT7260 60mm HD Accessory collars
- 2 x BT7321 AviBall Screen Rail for 3 screens

9 x 19" SCREENS IN A 3 x 3 FORMATION ON A MEDIUM FLOOR STAND



COMPONENTS REQUIRED

- 1 x BT4001 Medium Floor Base
- 1 x Pole BT4015 1.5m or BT4020 2.0m
- 3 x BT7060 60mm HD Accessory collars
- 3 x BT7321 AviBall Screen Rail for 3 screens

THESE MULTI SCREEN SOLUTIONS CAN ALSO BE APPLIED TO OUR FULL RANGE OF CEILING MOUNTS AND TROLLEYS.

Need assistance in identifying the components required for your installation? Then contact your local B-Tech sales team.





FLAT SCREEN DESK MOUNTS

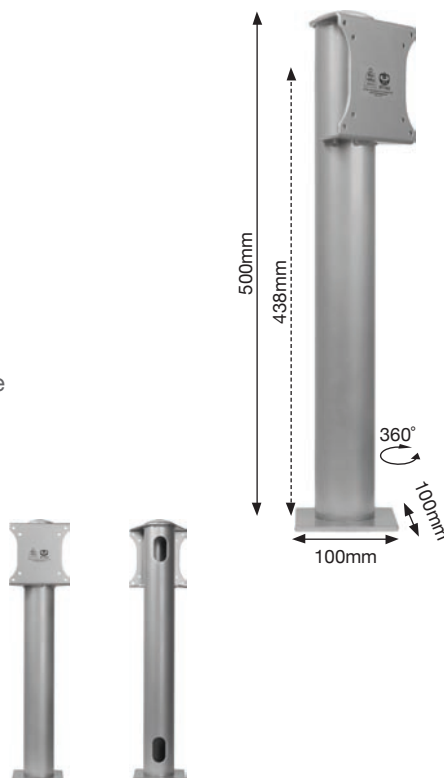
B-Tech offers a wide and varied range of desk mounting solutions. From stand alone stylish glass bases, to clamping options for mounting on desk tops up to 75mm thick. Many have a cable management feature for a smarter installation. The B-Tech accessory collars and adaptors from our unique 'System 2' modular component system makes the versatile desk mounts suitable for multi-screen desk mounting applications.

PRO
INSTALL

BT7304

VESA 100MM X 100MM FLAT SCREEN DESK MOUNT WITH SWIVEL

- Desk mount for flat screens up to 40kg
- Designed for screens using VESA 75mm x 75mm or 100mm x 100mm mounting patterns
- Overall pole length: 0.5m.
Height from desk to interface: 445mm
- Supplied with optional nylon bearings to allow 360° swivel of the screen and mount
- Bolt supplied is suitable for desks up to 40mm thick
- Available in gloss silver for easy cleaning
- All mounting hardware included
- Cable management included
- Ideal for heavy duty applications such as hotels and board rooms etc.
- Can be used with BT7506 or BT7502 VESA interface plates for use with VESA 200 x 100mm or 200 x 200mm screen mounting patterns



COMPATIBILITY

40kg
88lbs

42"
106cm

FEATURES



Available in
Gloss Silver, Chrome

PACKAGING

PRO

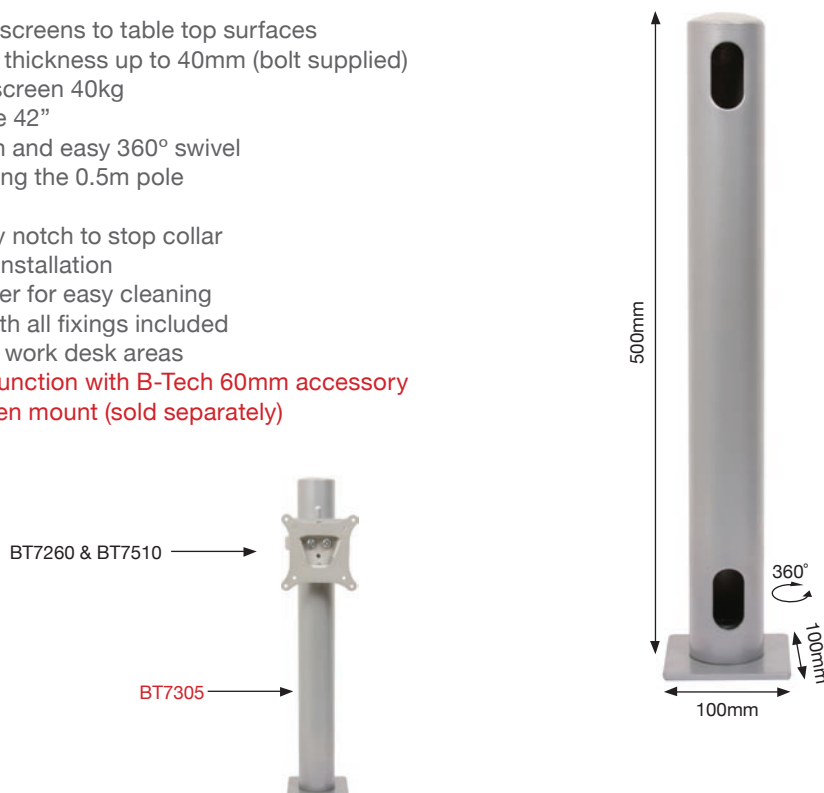
ACCESSORIES

Security Fasteners
BT7502
BT7506
BT7505
BT7590

BT7305

FLAT SCREEN DESK MOUNT POLE WITH SWIVEL

- Securely mounts flat screens to table top surfaces
- Suitable for table top thickness up to 40mm (bolt supplied)
- Maximum weight of screen 40kg
- Maximum screen size 42"
- Bearing allow smooth and easy 360° swivel
- Height adjustable along the 0.5m pole
- Cable management
- Pole features security notch to stop collar being removed after installation
- Available in gloss silver for easy cleaning
- Simple installation with all fixings included
- Ideal for use on hotel work desk areas
- **Must be used in conjunction with B-Tech 60mm accessory collar(s) and flat screen mount (sold separately)**



COMPATIBILITY

40kg
88lbs

42"
106cm

FEATURES



Available in
Gloss Silver, Chrome

PACKAGING

PRO

ACCESSORIES

Security Fasteners
BT7260
BT7060
BT7510
BT7521
BT7320

The BT7300 range is a modular desk mounting system for the mounting of up to 6 screens. The range contains mount which allow the mounting of screens on a desk by means of clamping at the rear or side of a desk or through cable management holes found on most desks. The range also includes a glass base which supports a multi screen setup with a weight up to 90kg.

Please refer to page 99 for ordering information.



BT7325

0.4M DESK MOUNT POLE

BT7326

0.8M DESK MOUNT POLE

- Ø50mm pole designed for use with BT7300 desk mount range
- Integrated cable management allows cables to pass through the pole
- Supplied with pole end ring for a smart installation
- Maximum weight 90Kg
- Can be cut to required length
- **MUST BE USED WITH BT7322, BT7323 or BT7324 SOLD SEPARATELY**
- **MUST BE USED WITH 50mm ACCESSORY COLLAR BT7052 OR BT7051**
- **RECOMMENDED FOR USE WITH BT7320 OR BT7321 FOR MULTIPLE SCREEN MOUNTING OR BT7510 OR BT7511 FOR SINGLE SCREEN MOUNTING**



BT7325



BT7326

COMPATIBILITY



FEATURES



Available in
Black, Gloss Silver

PACKAGING

PRO

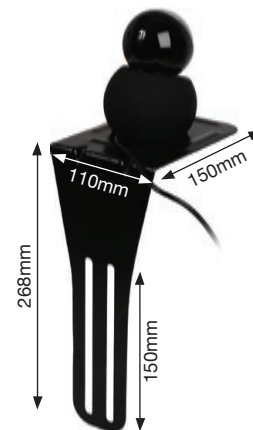
ACCESSORIES

BT7052
BT7051
BT7510
BT7511
BT7320
BT7321

BT7340

WEBCAM SHELF FOR COLLAR MOUNTING

- Webcam shelf designed to attach to B-Tech accessory collars and mount a webcam above a pole mounted screen
- Maximum webcam footprint: W 82mm x D 102mm
- Slot mounting allows adjustment for use with screens up to 22" when used with BT7300 range
- Ideal for use with the BT7320, BT7321, BT7332 or BT7333
- Maximum weight 1kg
- All fixings included
- **COLLAR SOLD SEPERATELY**



COMPATIBILITY



FEATURES



Available in
Black, Gloss Silver

PACKAGING

PRO

NUMBERS

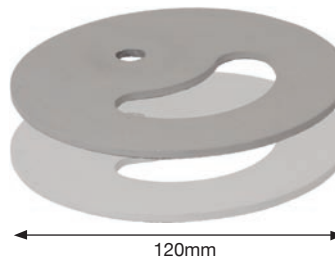
Registered Design No.
4010371

BT7323

CABLE MANAGER BASE FOR BT7300 RANGE

- Designed to attach a 50mm pole to a desk using standard cable management or a drilled hole
- Cable management allows the cables to pass through the desk for a smart installation
- Integrates with desk cable management up to Ø80mm
- Fits to desks up to 40mm thick
- Base dimension Ø120mm
- Maximum weight 90Kg
- All fixings included
- **MUST BE USED WITH BT7325 OR BT7326 POLE SOLD SEPARATELY**

* Due to modesty panels and the design of some desks, it is not always possible to use the existing cable management hole.



COMPATIBILITY



FEATURES



Available in
Black, Gloss Silver

PACKAGING

PRO

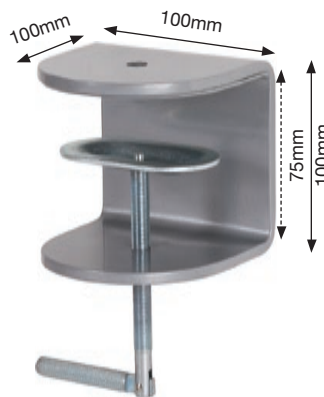
NUMBERS

Registered Design No.
4010374

BT7324

DESK CLAMP FOR BT7300 RANGE

- Designed to clamp a 50mm pole to a desk
- Fits to desks up to 75mm thick
- Maximum weight 90Kg
- All fixings included
- **MUST BE USED WITH BT7325 OR BT7326 POLE SOLD SEPARATELY**



COMPATIBILITY



FEATURES



Available in
Black, Gloss Silver

PACKAGING

PRO

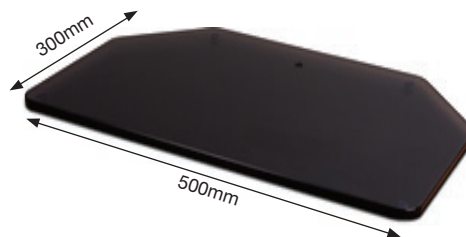
NUMBERS

Registered Design No.
4010387

BT7322

GLASS BASE FOR BT7300 RANGE

- Desk mount base designed to support a 50mm pole
- Glass base designed to hold a keyboard when not in use to keep the workspace tidy
- Non slip rubber feet
- Base dimensions W 500mm x D 300mm x H 20.5mm (including feet)
- 10mm tempered safety glass base
- Maximum weight 90kg
- All fixings included
- Available in a clear glass or black glass finish
- **MUST BE USED WITH BT7325 OR BT7326 POLE SOLD SEPARATELY**



COMPATIBILITY



FEATURES



Available in
**Clear Glass
Black Glass**

PACKAGING

PRO

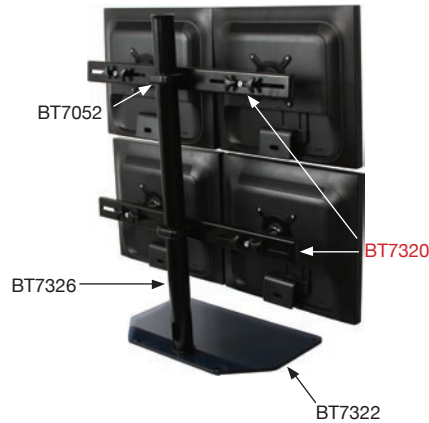
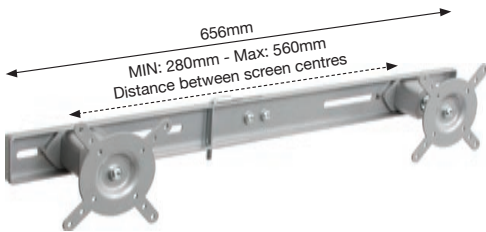
NUMBERS

Registered Design No.
4010385

BT7320

AVIBALL MOUNTING RAIL FOR 2 FLAT SCREENS

- Suitable for screens using 50 x 50mm, 75 x 75mm and 100 x 100mm VESA mounting patterns
- Designed to hold 2 screens up to 22" Widescreen (Max 15kg per screen)
- Attaches to any B-Tech accessory collar
- Lateral screen adjustment along horizontal rail for optimum screen positioning
- Easy tilt and swivel adjustment 37° in any direction
- All fixings included
- **POLE, POLE MOUNT AND COLLAR SOLD SEPARATELY**

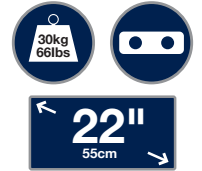


Screen Size	22"
Max. Weight	30kg (66lbs)
VESA Compatibility	50 x 50 75 x 75 100 x 100
Tilt	+/-37°
Swivel	74°

Colours Available Black, Gloss Silver



COMPATIBILITY



FEATURES



Available in **Black, Gloss Silver**

PACKAGING



ACCESSORIES

**BT7506
BT7502
BT7590**

NUMBERS

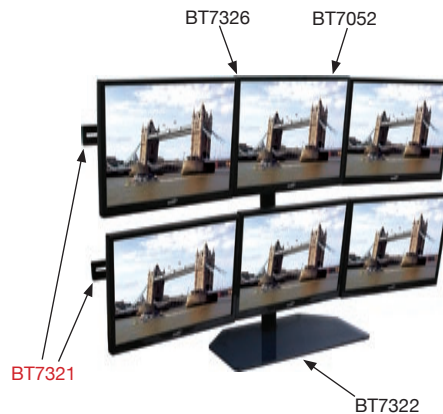
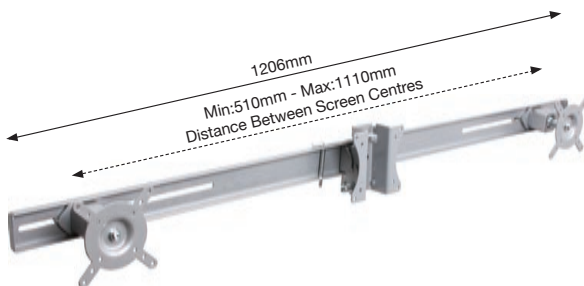
Registered Design No. 4010382

Patent No: 2437850B

BT7321

AVIBALL MOUNTING RAIL FOR 3 FLAT SCREENS

- Suitable for screens using 75 x 75mm and 100 x 100mm VESA mounting patterns
- Designed to hold 3 screens up to 22" Widescreen (Max 15kg per screen)
- Attaches to 'Heavy Duty' B-Tech accessory collar
- Lateral screen adjustment along horizontal rail for optimum screen positioning
- Easy tilt and swivel adjustment 37° in any direction
- All fixings included
- **POLE, POLE MOUNT AND COLLAR SOLD SEPARATELY**



Screen Size	22"
Max. Weight	45kg (99lbs)
VESA Compatibility	75 x 75 100 x 100
Tilt	+/-37°
Swivel	74°

Colours Available Black, Gloss Silver



COMPATIBILITY



FEATURES



Available in **Black, Gloss Silver**

ACCESSORIES

**BT7506
BT7502
BT7590**

PACKAGING



NUMBERS

Registered Design No. 4010373

Patent No: 2437850B

BT7300 COMPONENT RANGE HOW TO ORDER

BT7340
WEBCAM SHELF



BT7506
200mm x 100mm
VESA ADAPTOR



BT7502
200mm x 200mm
VESA ADAPTOR



STEP 5

ADD AN
ACCESSORY
(IF REQUIRED)

ANY B-TECH SINGLE
SCREEN MOUNT



BT7510 **BT7511**



BT7320
SCREEN MOUNTING RAIL
FOR 2 SCREENS



BT7321
SCREEN MOUNTING RAIL
FOR 3 SCREENS



STEP 4

CHOOSE
SCREEN
MOUNTING
RAIL(S)

BT7052
COLLAR FOR
50mm POLES
(FOR USE WITH
SINGLE OR 2
SCREEN MOUNT)



BT7051
HEAVY DUTY
COLLAR FOR
50mm POLES
(FOR USE WITH 3
SCREEN MOUNT)



STEP 3

CHOOSE
COLLAR(S)

BT7325
0.4M
POLE WITH
CABLE
MANAGEMENT



BT7326
0.8M
POLE WITH
CABLE
MANAGEMENT



STEP 2

CHOOSE A
SUPPORT
COLUMN

BT7322
GLASS BASE



BT7323
CABLE MANAGER
MOUNT



BT7324
DESK CLAMP



STEP 1

CHOOSE
A BASE
MOUNT



PROFESSIONAL PROJECTOR MOUNTS

One of the most comprehensive ranges in the industry, the B-Tech assortment of professional projector mounts will provide a solution for almost any projector installation project. Universal in their design, the range covers a spectrum of weight limits and adjustable drop down lengths, with many models available in black, silver and white.

PRO
INSTALL

BT899

**NEW FOR
2010**

HEAVY DUTY PROJECTOR CEILING MOUNT WITH MICRO-ADJUSTMENT

- Use flush to ceiling - only 124mm drop to top of projector
- Can be mounted onto any 50mm extension poles and 1.5" NPT pipes for alternative installations
- +/-13° tilt adjustment, +/-6° roll adjustment & 360° swivel
- Maximum distance between any 2 fixing points: 370mm
- Micro-adjustment feature for short throw projectors
- Theft-deterrent security fasteners as standard
- Pre-assembled for simple three step installation
- Unique carousel mount for simple installation with all mounting hardware included
- Suitable for projectors using M2.5, M3, M4, M5 and M6 fixings
- Can be used with B-Tech System 2 for additional mounting options. See page 66.

COMPATIBILITY



FEATURES



PACKAGING



BT880-CC

BALL - JOINT PROJECTOR CEILING MOUNT

- Flush to ceiling - only 83mm drop to end of ball joint
- Coverplate included for smart installation
- Mounts projector 135mm from ceiling when used with BT880-UN2
- 360° Swivel at mount
- 90° Tilt facility
- Safety wire for extra security
- **For projector mounting order with BT880-UN2 or BT880-UN1 universal projector mount**
- **For camera mounting order with BT880SP**

BT880-CC →

BT880-UN2 →

Available in Silver

PACKAGING

PRO

ACCESSORIES

BT880-UN2
BT880-UN1
BT880-SP
Security Fasteners

BT880-CC30

BALL - JOINT PROJECTOR CEILING MOUNT

- 250mm drop to end of ball joint
- Coverplate included for smart installation
- 360° Swivel at mount
- 90° Tilt facility
- Safety wire for extra security
- Coverplate included for smart installation
- **For projector mounting order with BT880-UN2 or BT880-UN1 or universal projector mount**
- **For LCD screen mounting order with BT7588**
- **For camera mounting order with BT880SP**

BT880-CC30 →

BT880-UN2 →

Available in Silver

PACKAGING

PRO

ACCESSORIES

BT880-UN2
BT880-UN1
BT7588
BT880-SP
Security Fasteners

BT2000

AVIBALL UNIVERSAL BALL JOINT

- Flush to ceiling - only 95mm drop to end of ball joint
- Mounts projector 124mm from ceiling when used with BT888
- Coverplate included for smart installation
- Simple hook on installation with all mounting hardware included
- 360° Swivel at mount
- 37° Tilt facility
- **For projector mounting order with BT888 or BT880-UN1 universal projector mount**
- **PROJECTOR MOUNTS SOLD SEPARATELY**

Available in Black, Silver

PACKAGING

PRO

ACCESSORIES

BT888
Security Fasteners

NUMBERS

Patent No:
2437850B

BT880-M

BALL-JOINT EXTENSION CEILING ARM MEDIUM

- Adjustable ceiling drop: 500mm - 750mm
- Outer tube diameter: 42mm
- Inner tube diameter: 35mm
- +/-50° tilt of pole for angled ceilings and +/-90° tilt at projector
- 360° Swivel at mount
- Hand lever allows easy adjustment of ceiling drop
- Coverplate included for smart installation
- Safety wire for extra security
- Cable management
- For projector mounting order with BT880-UN2 or BT880-UN1 universal projector mount
- For LCD screen mounting order with BT7588
- For camera mounting order with BT880SP
- PROJECTOR MOUNTS AND AV MOUNTS SOLD SEPARATELY



COMPATIBILITY



FEATURES



Available in
Black, Silver

PACKAGING

PRO

ACCESSORIES

BT880-UN2
BT880-UN1
BT7588
BT888
BT7035
BT7042
BT880-SP
Security Fasteners

BT880-L

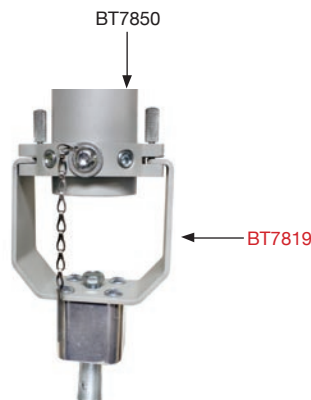
BALL-JOINT EXTENSION CEILING ARM LONG

- Adjustable ceiling drop: 750mm - 1222mm
- Outer tube diameter: 42mm
- Inner tube diameter: 35mm
- +/-50° tilt of pole for angled ceilings and +/-90° tilt at projector
- 360° Swivel at mount
- Hand lever allows easy adjustment of ceiling drop
- Coverplate included for smart installation
- Safety wire for extra security
- Cable management
- For projector mounting order with BT880-UN2 or BT880-UN1 universal projector mount
- For LCD screen mounting order with BT7588
- For camera mounting order with BT880SP
- PROJECTOR MOUNTS AND AV MOUNTS SOLD SEPARATELY

BT7819

QUICK RELEASE 50MM POLE MOUNTED BALL JOINT

- Universal quick release projector mount for LCD and DLP projectors
- Projector can be quickly removed from 50mm pole and stored in a safe location
- Optional permanent installation screws included
- Simple installation with all mounting hardware included
- For projector mounting, order with BT888 universal projector mount
- POLE & PROJECTOR MOUNT SOLD SEPARATELY



Available in
Silver

PACKAGING

PRO

ACCESSORIES

BT888, BT7588, BT7024
Security Fasteners

NUMBERS

Registered Design No:
4003644
Patent No:
2437850B

BT880-UN1

UNIVERSAL PROJECTOR CRADLE

- Inner Cradle Dimensions
- Length: 225mm - 391mm
- Width: 95mm - 230mm
- Height: 52mm - 101mm
- **MUST BE USED WITH CEILING OR WALL MOUNT (BT880CC / BT880CC30 / BT880M / BT880L / BT2000 / BT870M / BT870L / BT871 / BT887 / BT886)**



Available in
Silver

PACKAGING

PRO

ACCESSORIES

Security Fasteners

BT880-UN2

UNIVERSAL CAROUSEL PROJECTOR MOUNT

- Universal mount to fit LCD / DLP projectors
- Unique carousel mount for simple installation with all mounting hardware included
- Maximum distance between any 2 fixing points: 340mm
- Coverplates included for smart installation
- Suitable for projectors using M3, M4, M5 and M6 fixings
- Actual weight limit dependant on mount to which BT880-UN2 is attached
- **MUST BE USED WITH CEILING MOUNT (BT880CC / BT880CC30 / BT880M / BT880L / BT870M / BT870L)**



Available in
Black, Silver

PACKAGING

PRO

ACCESSORIES

Security Fasteners

NUMBERS

Registered Design
No:3016251

BT888

LOW PROFILE UNIVERSAL CAROUSEL PROJECTOR MOUNT

- Universal mount to fit LCD / DLP projectors
- Unique carousel mount for simple installation with all mounting hardware included
- Maximum distance between any 2 fixing points: 340mm
- Coverplates included for smart installation
- Suitable for projectors using M3, M4, M5 and M6 fixings
- Actual weight limit dependant on mount to which BT888 is attached
- **MUST BE USED WITH CEILING / AVIBALL MOUNT (BT2000 / BT7819 / BT7820)**



Available in
Black, Silver

PACKAGING

PRO

ACCESSORIES

Security Fasteners

BT880-SP

SINGLE POINT ADAPTOR

- Designed to mount single point projectors, CCTV cameras etc. to ball joint mounts
- 1/4" UNC Thread as used on most cameras
- **MUST BE USED WITH CEILING MOUNT (BT880CC / BT880CC30 / BT880-M / BT880-L / BT886) / BTX25**



Available in
Zinc

PACKAGING

PRO

ACCESSORIES

Security Fasteners



EXHIBITION MOUNTS

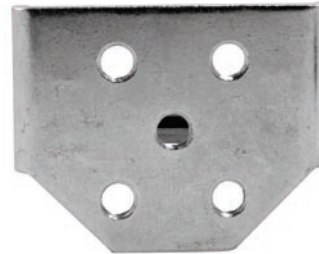
PRO
INSTALL

The B-Tech exhibition stand mounting system has been designed to fit slotted modular exhibition stands such as 'Octonorm™' and many other leading stand manufacturers' systems. Using two main components: a horizontal interface bracket (BTX24/H) and a vertical interface bracket (BTX24/V), they fit on to exhibition stands with width slots of between 4.3mm - 8.5mm. AV equipment can then be securely mounted to the stand using specific B-Tech mounts as well as B-Tech collars and B-Tech collar compatible mounts.

BTX24H

HORIZONTAL EXHIBITION MOUNT

- Designed for mounting on horizontal profile slots
- Holds up to 10kg
- 5 Threaded mounting centres for easy attachment to screen mount
- Adjusts to fit slots from 4.3mm to 8.5mm
- Suitable for all B-Tech accessories displaying the 'Accessory Collar Compatible' symbol



COMPATIBILITY



FEATURES



PACKAGING

PRO

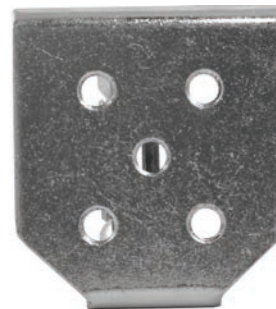
ACCESSORIES

Security Fasteners

BTX24V

VERTICAL EXHIBITION MOUNT

- Designed for mounting on vertical profile slots
- Holds up to 10kg when used individually, 20kg each when used in pairs
- 5 Threaded mounting holes for easy attachment to screen mount
- Adjusts to fit slots from 4.3mm to 8.5mm
- Suitable for all B-Tech accessories displaying the 'Accessory Collar Compatible' symbol



COMPATIBILITY



FEATURES



PACKAGING

PRO

ACCESSORIES

Security Fasteners

BTX25

SINGLE POINT ADAPTOR

- Single point threaded mount
- Ideal for CCTV cameras, camcorders, single mounting point speakers and as a general purpose mount
- 360° rotation and 90° tilt
- Holds AV equipment up to 10kg
- **MUST BE USED WITH BTX24H, BTX24V OR BT7052 COLLAR**



COMPATIBILITY



FEATURES



PACKAGING

PRO

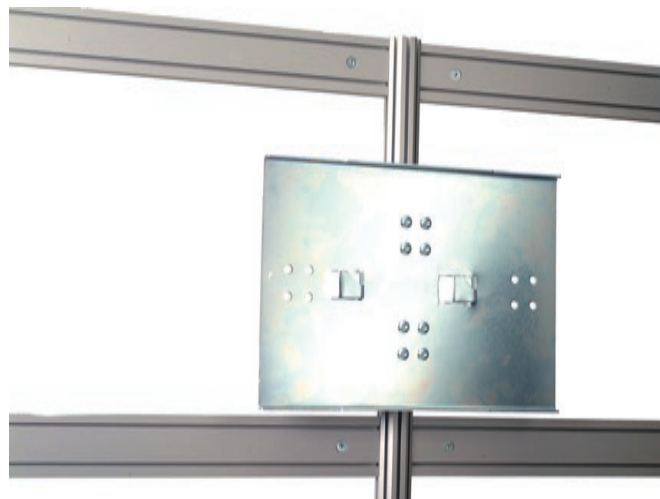
ACCESSORIES

Security Fasteners

BTX26

FLAT SCREEN MOUNTING PLATE FOR USE WITH B-TECH EXHIBITION MOUNTS

- Suitable for screens between 23" – 37"
- Security Allen key and screws provided
- **Fixes to 2 x BTX24V or 2 x BTX24H**
- **MUST BE USED WITH FLAT SCREEN INTERFACE KIT (BT7507 / BT8600 / BT8500 / BT8501)**



COMPATIBILITY



FEATURES



PACKAGING

PRO

ACCESSORIES

**Flat Screen Interface Kit
BT7507 BT8600
BT8500 BT8501**

Security Fasteners



AV ACCESSORIES

A range of security accessories such as locks, straps and alarms, plus a comprehensive range of accessories for the B-Tech range of mounts and supports. Additional accessories and spare parts are available – please ask for more information.

PRO
INSTALL

BT7895

MOTION SENSITIVE ALARMED CABLE LOCK

- Provides extra security for all your audio video equipment
- 600mm retractable cable
- Optional Motion Sensor - alarm will sound if the device is moved
- 100db Alarm sounds if the cable is cut
- Time delay - lock/unlock before sensor activates
- Combination lock - input your desired code
- Battery cover can only be opened when unit is unlocked
- Locking slot adaptor included for use with projectors etc
- Recommended for use with the B-Tech range of AV mounts and supports



RETAIL

BT7889

SECURITY ANCHOR POINT

- Anchor point designed to secure a cable lock to a fixed point
- Strong metal coverplate included to hide and secure fixing screws



RETAIL

BT425

HEAVY DUTY SECURITY STRAP

- Heavy duty security strap with 2 part easy release buckle
- 30mm wide, heavy duty nylon strap
- 2.5m length

BT430

HEAVY DUTY SECURITY STRAP

- Security strap with single pull lock buckle
- 25mm wide, heavy duty nylon strap
- 3m length



RETAIL

BT7894

DOUBLE LOOP ENDED SECURITY CABLE

- General purpose double loop ended security cable
- Designed for use with Hitachi CP-S240 and other projectors using security locking bar system
- 5mm Shear resistant cable
- 3m Long



BT7893

VGA PORT CABLE LOCK

- VGA Port Key lock suitable for most projectors & laptop computers using a free 'D' type VGA port
- 5mm Shear resistant cable
- 1.7m Long



RETAIL

BTW100

100MM DIAMETER POLYURETHANE BRAKED WHEEL FOR BT4003

- Non-marking hospital standard braked castor can as used on the BT8004, BT8504 and BT4003 large flat screen display trolley

Also available as a pack of 4 - BTW100-4



BTW50

50MM DIAMETER (2") BRAKED WHEEL FOR BT7504

- Non-marking braked castor can as used on the BT7504 Medium flat screen display trolley



BTW21

21MM SLIMLINE SPANNER

- Slim line 21mm spanner for use with BTW100 & BTW50



BT7850 - CAP

END CAP FOR 50MM POLES

- The BT7850-CAP end cap will fit any 50mm pole and is available in silver or black



Available in
Black, Silver

BT7006 - CAP

END CAP FOR 60MM POLES

- The BT7006-CAP end cap will fit any 60mm pole which is not obstructed at the end
- This end cap is suitable for use with B-Tech floor stand poles or B-Tech trolley poles and is available in silver or black



Available in
Black, Silver

BT7057

50MM POLE END RING

- The BT7057 pole end ring creates a neat appearance at either end of any B-Tech 50mm pole
- The ring is quickly and easily fitted by means of a tight and secure push fit
- This ring also doubles up as a cable protector against the rough edge of hand sawn poles upon cutting to length during installation



Available in
Black, Silver, Chrome

NUMBERS

Registered Design
No:3016251



TAMPER RESISTANT SECURITY FASTENERS

PRO
INSTALL

B-Tech now stocks a full range of tamper proof security fixings that are ideal for use with the B-Tech range of mounts and supports to help deter screen removal and unauthorised adjustments. This range of fasteners significantly increases the security of your AV equipment by making the removal of a B-Tech mount more difficult. B-Tech offers a wide variety of fasteners and drive tools for installation and removal.

ARMOUR RINGS



Armour Rings™ provide a simple yet highly effective method to make standard hex head bolts, nuts and screws tamper resistant. After conventional tightening of the fastener the conical rings are knocked into place using a hammer and so do not limit the torque the fastener requires.

SIZES AVAILABLE

(SUPPLIED IN PACKS OF 10)

The armour rings are only available for 13mm hex-head bolts and are supplied in packs of 10. Please use the order code below.

ORDER CODE: **BTS/AR-M8**

The bright zinc plated steel rings provide a clean look and can be retrofitted to any 13mm BS or DIN standard hexagon head bolts, nuts and screws. Compatible with all B-Tech supplied 13mm coach screws used for wall mounting products.



Bolt / Screw not included

PIN HEX MACHINE SCREW



SIZES AVAILABLE

(SUPPLIED IN PACKS OF 12)

The table below shows the size availability of the pin hex machine screws. To order, please quote the prefix shown in red below and the suffix for the specific screw you require shown in red in the table below. For example, to order an M4 x 10mm screw, use order code BTS/PHM4-10.



The pin hex system uses a simple yet effective method of adding tamper resistance to AV equipment. The head comprises of a protruding pin inside a standard hexagon socket recess. The addition of the internal pin prevents removal using standard hexagon keys. Removal of a pin hex security fastener is very difficult without the matching drive tool.

ORDER CODE PREFIX: **BTS/PHM -**
USE SUFFIX FROM TABLE BELOW

Length (L) Size	10mm	12mm	16mm	25mm	30mm	40mm	50mm	60mm	Driver Size
M4	4-10		4-16	4-25					2.5mm
M5		5-12	5-16		5-30				3mm
M6		6-12	6-16	6-25					4mm
M8		8-12	8-16	8-25		8-40	8-50	8-60	5mm

PIN HEX SELF TAPPING



DRIVE TOOLS

(SUPPLIED INDIVIDUALLY)

Size Type	2.5mm Driver	3mm Driver	4mm Driver	5mm Driver
Insert Bit	BTS/PHT-M4B	BTS/PHT-M5B	BTS/PHT-M6B	BTS/PHT-M8B
Wrench	BTS/PHT-M4W	BTS/PHT-M5W	BTS/PHT-M6W	BTS/PHT-M8W

SIZES AVAILABLE

(SUPPLIED IN PACKS OF 12)

The table below shows the size availability of the pin hex grub screws. To order, please quote the prefix shown in red below and the suffix for the specific screw you require shown in red in the table on the right. For example, to order an M5 x 8mm screw, use order code BTS/PHGSM5-8.

ORDER CODE PREFIX: **BTS/PHTM -**
USE SUFFIX FROM TABLE TO THE RIGHT

Length (L) Size	1½" (38mm)	Driver Size
8G (4.2mm)	8-1.5	4mm
10G (4.8mm)	10-1.5	4mm
12G (5.5mm)	12-1.5	4mm
14G (6.3mm)	14.1.5	4mm



PIN HEX GRUB SCREWS



SIZES AVAILABLE

(SUPPLIED IN PACKS OF 6)

The table below shows the size availability of the pin hex grub screws. To order, please quote the prefix shown in red below and the suffix for the specific screw you require shown in red in the table to your right. For example, to order an M5 x 8mm screw, use order code BTS/PHGSM5-8.

ORDER CODE PREFIX: BTS/PHGSM - USE SUFFIX FROM TABLE TO THE RIGHT

DRIVE TOOLS

(SUPPLIED INDIVIDUALLY)

Size Type	2.5mm Driver	3mm Driver	4mm Driver	5mm Driver
Insert Bit	BTS/PHT-M4B	BTS/PHT-M5B	BTS/PHT-M6B	BTS/PHT-M8B
Wrench	BTS/PHT-M4W	BTS/PHT-M5W	BTS/PHT-M6W	BTS/PHT-M8W

Length Type	8mm	10mm	16mm	Driver Size
M5	5-8			2.5mm
M6	6-8	6-10		3mm
M8			8-16	4mm



OVAL PAN MACHINE SCREW



SIZES AVAILABLE

(SUPPLIED IN PACKS OF 12)

The table below shows the size availability of the oval pan screws. To order, please quote the prefix shown in red below and the suffix for the specific screw you require shown in red in the table below. For example, to order an M4 x 10mm screw, use order code BTS/OPM4-10.

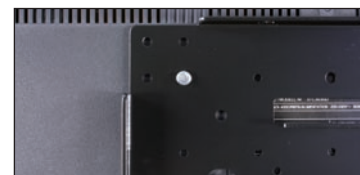
ORDER CODE PREFIX: BTS/OPM - USE SUFFIX FROM TABLE TO THE RIGHT

DRIVE TOOLS

(SUPPLIED INDIVIDUALLY)

Size Type	2.5mm Driver	3mm Driver	4mm Driver
Insert Bit	BTS/OP4	BTS/OP56	BTS/OP56

Length Size	10mm	12mm	16mm	25mm	30mm	Driver Size
M4	4-10		4-16	4-25		OP4
M5		5-12	5-16		5-30	OP56
M6		6-12	6-16	6-25		OP56



SECURITY NUTS



SIZES AVAILABLE

(SUPPLIED IN PACKS OF 4)

The security nuts are only available for M6 and M8 threads and are supplied in packs of 4. Please use the order codes below.

FOR M6 THREAD USE ORDER CODE: BTS/SNM6
FOR M8 THREAD USE ORDER CODE: BTS/SNM8

DRIVE TOOLS

(SUPPLIED INDIVIDUALLY)

Size Type	M6	M8
Insert Bit	BTS/SNT6	BTS/SNT8





AV INTERCONNECT CABLES AND CONTROLS

The B-Tech range of high quality interconnects has been designed to suppress RF and EM interference and to ensure a clean signal path is maintained. High quality durable moulded or metal plugs with 24K gold plated connectors are used for the best possible connection, and where appropriate, special locking clips have been included to prevent cables falling out of sockets. The outer braided nylon jacket provides strong protection and increased cut resistance to the inner cable, making these interconnects ideal for the Professional Installer and Home Cinema enthusiast alike.

BTXLR39

HDMI - HDMI

- HDMI™ male plug to HDMI™ male plug
- Capable of transferring full HD 1080p signals
- HDMI version 1.3 compliant
- 24k Gold plated connectors for superior signal transfer
- Robust moulded plugs
- Heavy duty nylon braided outer jacket protects cable
- Individually shielded and fully screened to eliminate RF and EM interference
- High grade O.F.C (Oxygen Free Copper) conductor for minimum signal loss



BTXLR39
Available in the
following lengths

0.8m = BTXLR39-008
1.5m = BTXLR39-015
3.0m = BTXLR39-030
5.0m = BTXLR39-050

PACKAGING



ALSO AVAILABLE

**BT939
HDMI SWITCHER**



BTXLR41

HDMI - DVI

- HDMI™ male plug to DVI-D Dual link male plug (24 Pin + Flat Blade)
- 24k Gold plated connectors for superior signal transfer
- Robust moulded plugs
- Heavy duty nylon braided outer jacket protects cable
- Individually shielded and fully screened to eliminate RF and EM interference
- High grade O.F.C (Oxygen Free Copper) conductor for minimum signal loss
- Digital only



BTXLR41
Available in the
following lengths

0.8m = BTXLR41-008
1.5m = BTXLR41-015
3.0m = BTXLR41-030
5.0m = BTXLR41-050

PACKAGING



BTXLR43

DVI - DVI

- Dual Link DVI-D male plug to DVI-D Dual link male plug (24 Pin + Flat Blade)
- 24k Gold plated connectors for superior signal transfer
- Robust moulded plugs
- Heavy duty nylon braided outer jacket protects cable
- Individually shielded and fully screened to eliminate RF and EM interference
- High grade O.F.C (Oxygen Free Copper) conductor for minimum signal loss
- Digital only



BTXLR43
Available in the
following lengths

0.8m = BTXLR43-008
1.5m = BTXLR43-015
3.0m = BTXLR43-030
5.0m = BTXLR43-050

PACKAGING



BTXLR15

VGA - VGA

- 15 pin VGA male plug to 15 pin VGA male plug
- 24k Gold plated connectors for superior signal transfer
- Thumbwheel locking screws
- Heavy duty nylon braided outer jacket protects cable
- Individually shielded and fully screened to eliminate RF and EM interference
- High grade O.F.C (Oxygen Free Copper) conductor for minimum signal loss
- Robust moulded plugs



BTXLR15
Available in the
following lengths

0.8m = BTXLR15-008
1.5m = BTXLR15-015
3.0m = BTXLR15-030

PACKAGING

RETAIL

BTXLR18

COMPONENT VIDEO - VGA

- 3 RCA / RGB component video plugs to 15 pin VGA male plug
- Colour coded: Red, Green, Blue
- 24K Gold plated connectors for superior signal transfer
- Heavy duty nylon braided outer jacket protects cable
- Individually shielded and fully screened to eliminate RF and EM interference
- High grade O.F.C. (Oxygen Free Copper) conductor for minimum signal loss
- Connects using Pins 1,2,3,6,7 and 8 of the VGA plug.
- Not suitable for YUV (Y Pb/Cb Pr/Pr) signal transfers.



BTXLR18
Available in the
following lengths

0.8m = BTXLR18-008
1.5m = BTXLR18-015
3.0m = BTXLR18-030

PACKAGING

RETAIL

BTXLR24

COMPONENT VIDEO - COMPONENT VIDEO

- 3 RCA component video plugs to 3 RCA component video plugs
- 24k Gold plated connectors for superior signal transfer
- Colour coded: Red, Green, Blue
- Heavy duty nylon braided outer jacket protects cable
- Individually shielded and fully screened to eliminate RF and EM interference
- High grade O.F.C (Oxygen Free Copper) conductor for minimum signal loss



BTXLR24
Available in the
following lengths

0.8m = BTXLR24-008
1.5m = BTXLR24-015
3.0m = BTXLR24-030

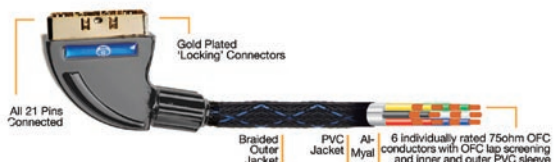
PACKAGING

RETAIL

BTXLR21

SCART - SCART

- Scart - Scart Universal lead
- All 21 Pins connected
- 24k Gold plated connectors for superior signal transfer
- Heavy duty nylon braided outer jacket protects cable
- Individually shielded and fully screened to eliminate RF and EM interference
- High grade O.F.C (Oxygen Free Copper) conductor for minimum signal loss



BTXLR21
Available in the
following lengths

0.8m = BTXLR21-008
1.5m = BTXLR21-015
3.0m = BTXLR21-030

PACKAGING

RETAIL

BTXLR22

LOCKING SCART - SCART RIBBON

- Locking Scart - Scart ribbon universal lead
- All 21 Pins connected
- 24k Gold plated connectors for superior signal transfer
- Heavy duty nylon braided outer jacket protects cable
- Individually shielded and fully screened to eliminate RF and EM interference
- High grade O.F.C (Oxygen Free Copper) conductor for minimum signal loss



BTXLR22
Available in the
following lengths

0.8m = BTXLR22-008
1.5m = BTXLR22-015
3m = BTXLR22-030

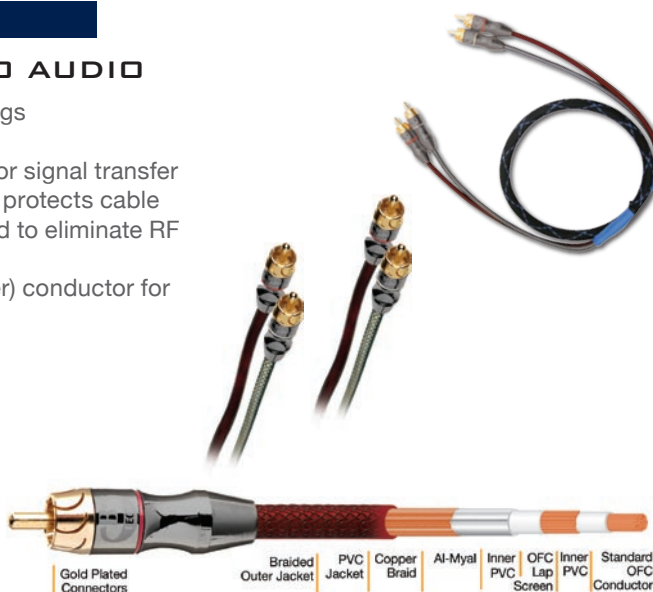
PACKAGING

RETAIL

BTXLR23

STEREO AUDIO - STEREO AUDIO

- 2 RCA Audio plugs to 2 RCA audio plugs
- Designed for Stereo audio signals
- 24k Gold plated connectors for superior signal transfer
- Heavy duty nylon braided outer jacket protects cable
- Individually shielded and fully screened to eliminate RF and EM interference
- High grade O.F.C (Oxygen Free Copper) conductor for minimum signal loss



BTXLR23
Available in the
following lengths

0.8m = BTXLR23-008
1.5m = BTXLR23-015
3.0m = BTXLR23-030

PACKAGING

RETAIL

BT12

2-WAY SPEAKER CONTROL

- Listen to either pair of loudspeakers separately or together
- Accepts loudspeaker cable up to 2.5mm diameter
- Suitable for loudspeakers from 4 ohms to 16 ohms
- 150 watts RMS per channel rating
- Strong, stylish metal console
- Screw terminals for strong connection and minimum loss



PACKAGING

RETAIL

BT13

4-WAY SPEAKER CONTROL

- Any combination of loudspeaker switchable
- Accepts loudspeaker cable up to 2.5mm diameter
- Suitable for loudspeakers of 8 ohms and above
- 200 watts RMS per channel power rating
- Strong, stylish silver metal consoles
- Screw terminals for strong connection and minimum loss



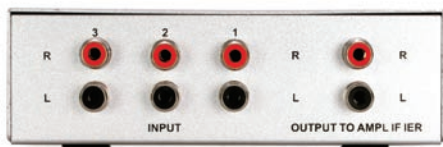
PACKAGING

RETAIL

BT31

3-WAY STEREO AUDIO INPUT CONTROL

- Connects 3 stereo devices (CD, DAT, Tuner, Cassette Deck, DVD Player etc) to one input socket on amplifier.
- Gold plated phono (RCA) connectors
- Strong, stylish silver metal console
- Easy to use knob to select inputs



PACKAGING

RETAIL

BT911

2-WAY HI-FI LOUDSPEAKER CONTROL WITH HEADPHONE SOCKET

- Use 2 pairs of loudspeakers with one amplifier
- 200 watts per channel
- Headphone socket with amplifier protection
- Accepts loudspeaker cable up to 6mm diameter
- Strong, stylish, slimline metal cabinet



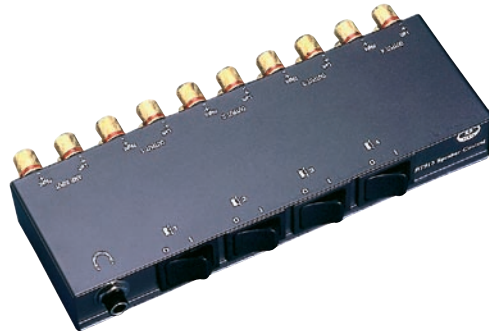
PACKAGING



BT913

4-WAY HI-FI LOUDSPEAKER CONTROL WITH HEADPHONE SOCKET

- Use 4 pairs of loudspeakers with one amplifier
- 200 watts per channel
- Headphone socket with amplifier protection
- Accepts loudspeaker cable up to 6mm diameter
- Strong, stylish, slimline metal cabinet



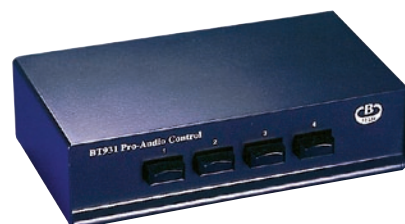
PACKAGING



BT931

4-WAY PRO-AUDIO CONTROL

- Connects up to 4 stereo inputs/outputs: Amplifier, Tuner, Tape, CD, etc)
- Record and play simultaneously
- Impedance matching circuit
- Independently switchable
- Gold plated Phono (RCA) connectors
- Strong, stylish, slim-line metal cabinet



PACKAGING



BT25

3-WAY SPEAKER CONTROL

- Enables 3 Audio-Video devices to be switched into 1 TV and / or VCR
- Parallel output sockets for a second TV/VCR or sound output to Hi-Fi system
- Alternative use as a 3 way Video Editor
- Use with VCR's, DVD Players, Camcorders, Satellite TV, CD, Hi-Fi etc
- Gold plated Phono (RCA) sockets for minimum loss.
- Neat, user friendly design



PACKAGING

RETAIL

BT934

STEREO LOUDSPEAKER CONTROL CENTRE

- Transformer design for maximum efficiency
- High power rating - 60 watts
- Accepts loudspeaker cable up to 2.5mm diameter
- Suitable for loudspeakers; 4, 6 or 8 ohms
- Frequency response 20 - 20,000 Hz



GENERAL INFORMATION: This high quality volume control can be located anywhere on the loudspeaker cable to suit convenience. For example, with an amplifier located in the living room powering a pair of loudspeakers in a bedroom the control can be located in the bedroom.



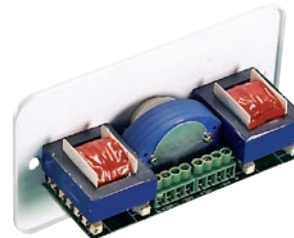
PACKAGING

RETAIL

BT936

IN-WALL STEREO VOLUME CONTROL

- SUITABLE FOR U.K ELECTRICAL BOXES (2 gang metal 47mm deep)
- Plate size 140mm x 80mm
- Transformer design for maximum efficiency
- High power rating - 60 watts
- Accepts loudspeaker cable up to 2.5mm diameter
- Suitable for loudspeakers; 4,6 or 8 ohms
- Frequency response 20 - 20,000 Hz



GENERAL INFORMATION: This high quality volume control can be located anywhere on the loudspeaker cable to suit convenience. For example, with an amplifier located in the living room powering a pair of loudspeakers in a bedroom the control can be located in the bedroom.



PACKAGING

RETAIL

BT928

TV HEADPHONE PRO-AMP

- Use headphones with any TV
- Suits all stereo headphones with either 3.5mm or 6.35mm plugs
- Independant volume and tone controls
- Gold plated sockets for minimum loss
- Strong, stylish steel cabinet
- CE certified
- Power supply included



PACKAGING



BT26

PHONO / MICROPHONE PRE-AMPLIFIER

- IC technology for high gain and low noise
- CE certified
- Suitable for stereo microphones or up to 2 mono microphones
- Strong, stylish steel case
- Power supply included



PACKAGING



BT939

4-IN-1 SWITCHER FOR HDMI

- 4 in-1 out switcher for HDMI
- Connect up to 4 HDMI devices to 1 HDMI socket
- Suitable for full HD (1080p)
- Remote control operation
- Supports up to 7.5m input and output cables at full resolution
- RoHS compliant
- HDMI 3.1 compliant
- HDCP Compliant



PACKAGING





PRO AV INTERCONNECT CABLES

The B-Tech range of high quality interconnects has been designed to suppress RF and EM interference and to ensure a clean signal path is maintained. High quality durable moulded or metal plugs with 24K gold plated connectors are used for the best possible connection, and where appropriate, special locking clips have been included to prevent cables falling out of sockets. The outer braided nylon jacket provides strong protection and increased cut resistance to the inner cable, making these interconnects ideal for the Professional Installer and Home Cinema enthusiast alike.

PRO
INSTALL

The B-Tech range of high quality interconnects has been designed to suppress RF and EM interference and to ensure a clean signal path is maintained. High quality durable moulded or metal plugs with 24K gold plated connectors are used for the best possible connection, and where appropriate, special locking clips have been included to prevent cables falling out of sockets. The outer braided nylon jacket provides strong protection and increased cut resistance to the inner cable, making these interconnects ideal for Professional Installer and Home Cinema enthusiast alike.



<p>BTXL15</p> <p>VGA - VGA</p> <ul style="list-style-type: none"> • 15 pin VGA male plug to 15 pin VGA male plug • 24k Gold plated connectors for superior signal transfer • Thumbwheel locking screws • Heavy duty nylon braided outer jacket protects cable • Individually shielded and fully screened to eliminate RF and EM interference • High grade O.F.C (Oxygen Free Copper) conductor for minimum signal loss • Robust moulded plugs • SUPPLIED IN PROFESSIONAL INSTALL ZIPPED BAG 		<p>BTXL15 Available in the following lengths</p> <p>0.8m = BTXL15-008 1.5m = BTXL15-015 3.0m = BTXL15-030 5.0m = BTXL15-050 10.0m = BTXL15-100 15.0m = BTXL15-150</p>
--	--	--


<p>BTXL18</p> <p>COMPONENT VIDEO - VGA</p> <ul style="list-style-type: none"> • 3 RCA / RGB component video plugs to 15 pin VGA male plug • Colour coded: Red, Green, Blue • 24K Gold plated connectors for superior signal transfer • Heavy duty nylon braided outer jacket protects cable • Individually shielded and fully screened to eliminate RF and EM interference • High grade O.F.C. (Oxygen Free Copper) conductor for minimum signal loss • Connects using Pins 1,2,3,6,7 and 8 of the VGA plug. • Not suitable for YUV (Y Pb/Cb Pr/Pr) signal transfers. • SUPPLIED IN PROFESSIONAL INSTALL ZIPPED BAG 		<p>BTXL18 Available in the following lengths</p> <p>0.8m = BTXL18-008 1.5m = BTXL18-015 3.0m = BTXL18-030 5.0m = BTXL18-050 10.0m = BTXL18-100 15.0m = BTXL18-150</p>
--	--	--


<p>BTXL21</p> <p>SCART - SCART</p> <ul style="list-style-type: none"> • Scart - Scart Universal lead • All 21 Pins connected • 24k Gold plated connectors for superior signal transfer • Heavy duty nylon braided outer jacket protects cable • Individually shielded and fully screened to eliminate RF and EM interference • High grade O.F.C (Oxygen Free Copper) conductor for minimum signal loss • SUPPLIED IN PROFESSIONAL INSTALL ZIPPED BAG 		<p>BTXL21 Available in the following lengths</p> <p>0.8m = BTXL21-008 1.5m = BTXL21-015 3.0m = BTXL21-030 5.0m = BTXL21-050 10.0m = BTXL21-100 15.0m = BTXL21-150</p>
--	--	--


<p>BTXL22</p> <p>LOCKING SCART - SCART RIBBON</p> <ul style="list-style-type: none"> • Locking Scart - Scart ribbon universal lead • All 21 Pins connected • 24k Gold plated connectors for superior signal transfer • Heavy duty nylon braided outer jacket protects cable • Individually shielded and fully screened to eliminate RF and EM interference • High grade O.F.C (Oxygen Free Copper) conductor for minimum signal loss • SUPPLIED IN PROFESSIONAL INSTALL ZIPPED BAG 		<p>BTXL22 Available in the following lengths</p> <p>0.8m = BTXL22-008 1.5m = BTXL22-015 3m = BTXL22-030 5m = BTXL22-050</p>
--	--	--

<h2>BTXL24</h2>	<h3>COMPONENT VIDEO - COMPONENT VIDEO</h3>		<p>BTXL24 Available in the following lengths</p> <p>0.8m = BTXL24-008 1.5m = BTXL24-015 3.0m = BTXL24-030 5.0m = BTXL24-050 10.0m = BTXL24-100 15.0m = BTXL24-150</p>
<ul style="list-style-type: none"> • 3 RCA component video plugs to 3 RCA component video plugs • 24k Gold plated connectors for superior signal transfer • Colour coded: Red, Green, Blue • Heavy duty nylon braided outer jacket protects cable • Individually shielded and fully screened to eliminate RF and EM interference • High grade O.F.C (Oxygen Free Copper) conductor for minimum signal loss • SUPPLIED IN PROFESSIONAL INSTALL ZIPPED BAG 			

<h2>BTXL23</h2>	<h3>STEREO AUDIO - STEREO AUDIO</h3>		<p>BTXL23 Available in the following lengths</p> <p>0.8m = BTXL23-008 1.5m = BTXL23-015 3.0m = BTXL23-030 5.0m = BTXL23-050 10.0m = BTXL23-100 15.0m = BTXL23-150</p>
<ul style="list-style-type: none"> • 2 RCA Audio plugs to 2 RCA audio plugs • Designed for Stereo audio signals • 24k Gold plated connectors for superior signal transfer • Heavy duty nylon braided outer jacket protects cable • Individually shielded and fully screened to eliminate RF and EM interference • High grade O.F.C (Oxygen Free Copper) conductor for minimum signal loss • SUPPLIED IN PROFESSIONAL INSTALL ZIPPED BAG 			

<h2>BTXL39</h2>	<h3>HDMI - HDMI</h3>		<p>BTXL39 Available in the following lengths</p> <p>0.8m = BTXL39-008 1.5m = BTXL39-015 3.0m = BTXL39-030 5.0m = BTXL39-050 10.0m = BTXL39-100</p>
<ul style="list-style-type: none"> • HDMI™ male plug to HDMI™ male plug • Capable of transferring full HD 1080p signals • HDMI version 1.3 compliant • 24k Gold plated connectors for superior signal transfer • Robust moulded plugs • Heavy duty nylon braided outer jacket protects cable • Individually shielded and fully screened to eliminate RF and EM interference • High grade O.F.C (Oxygen Free Copper) conductor for minimum signal loss • SUPPLIED IN PROFESSIONAL INSTALL ZIPPED BAG 			

<h2>BTXL41</h2>	<h3>HDMI - DVI</h3>		<p>BTXL41 Available in the following lengths</p> <p>0.8m = BTXL41-008 1.5m = BTXL41-015 3.0m = BTXL41-030 5.0m = BTXL41-050 10.0m = BTXL41-100</p>
<ul style="list-style-type: none"> • HDMI™ male plug to DVI-D Dual link male plug (24 Pin + Flat Blade) • 24k Gold plated connectors for superior signal transfer • Robust moulded plugs • Heavy duty nylon braided outer jacket protects cable • Individually shielded and fully screened to eliminate RF and EM interference • High grade O.F.C (Oxygen Free Copper) conductor for minimum signal loss • Digital only • SUPPLIED IN PROFESSIONAL INSTALL ZIPPED BAG 			

<h2>BTXL43</h2>	<h3>DVI - DVI</h3>		<p>BTXL43 Available in the following lengths</p> <p>0.8m = BTXL43-008 1.5m = BTXL43-015 3.0m = BTXL43-030 5.0m = BTXL43-050 10.0m = BTXL43-100</p>
<ul style="list-style-type: none"> • Dual Link DVI-D male plug to DVI-D Dual link male plug (24 Pin + Flat Blade) • 24k Gold plated connectors for superior signal transfer • Robust moulded plugs • Heavy duty nylon braided outer jacket protects cable • Individually shielded and fully screened to eliminate RF and EM interference • High grade O.F.C (Oxygen Free Copper) conductor for minimum signal loss • Digital only • SUPPLIED IN PROFESSIONAL INSTALL ZIPPED BAG 			

NOTES

PRODUCT CODE INDEX

PRODUCT CODE	PAGE NO.	PRODUCT CODE	PAGE NO.	PRODUCT CODE	PAGE NO.
BIB641	40	BT7040	77	BT7521	12
BIB642	40	BT7042	72	BT7522	12
BT1	49	BT7051	71	BT7525	19
BT10	54	BT7052	71	BT7527	32
BT11	54	BT7055	69	BT7528	33
BT111	53	BT7056	69	BT7529	33
BT12	118	BT7057	72	BT7532	14
BT13	118	BT7057	110	BT7533	14
BT15	52	BT7060	71	BT7534	15
BT19	47	BT7070	36	BT7535	15
BT20	47	BT7072	36	BT7540	32
BT2000	102	BT7073	36	BT7541	31
BT25	120	BT7075	37	BT7581	20
BT26	121	BT7077	38	BT7582	20
BT31	118	BT7078	38	BT7590	11
BT325	52	BT7087	39	BT77	51
BT325X	52	BT7088	39	BT7803	65
BT33	50	BT7151	76	BT7804	63
BT332	50	BT7161	76	BT7805	62
BT34	51	BT7162	76	BT7819	103
BT342	51	BT7163	76	BT7821	62
BT38	50	BT7164	76	BT7822	62
BT4000	88	BT7260	71	BT7823	66
BT4001	88	BT7304	95	BT7824	66
BT4002	89	BT7305	95	BT7825	64
BT4003	89	BT7320	98	BT7830	65
BT4005	88	BT7321	98	BT7850	66
BT4011	88	BT7322	97	BT7850-CAP	72
BT4015	88	BT7323	97	BT7850-CAP	110
BT4020	88	BT7324	97	BT7851	63
BT425	109	BT7325	96	BT7852	67
BT5	49	BT7326	96	BT7889	109
BT514	46	BT7332	24	BT7893	109
BT517	46	BT7333	25	BT7894	109
BT521	46	BT7340	96	BT7895	109
BT525	47	BT7502	31	BT8000	81
BT604	55	BT7503	77	BT8001	82
BT606	55	BT7504	86	BT8002	82
BT608	55	BT7505	33	BT8003	83
BT7000	70	BT7506	31	BT8005	83
BT7006-CAP	72	BT7507	79	BT8006	34
BT7006-CAP	110	BT7508	33	BT8007	34
BT7012	63	BT7510	8	BT8009	67
BT7014	64	BT7511	8	BT8009	81
BT7017	64	BT7512	10	BT8026	68
BT7024	72	BT7513	10	BT8027	68
BT7025	73	BT7514	13	BT8412	18
BT7030	77	BT7515	13	BT8413	18
BT7035	72	BT7518	9	BT8421	16
BT7036	77	BT7519	9	BT8422	17
BT7037	77	BT7519-820	70	BT8426	21
BT7038	77	BT7520	71	BT8427	21

PRODUCT CODE	PAGE NO.	PRODUCT CODE	PAGE NO.	PRODUCT CODE	PAGE NO.
BT8431	16	BT913	119	BTW100	110
BT8432	17	BT928	121	BTW21	110
BT8435	71	BT931	119	BTW50	110
BT8500	80	BT934	120	BTX24H	106
BT8501	80	BT936	120	BTX24V	106
BT8504	85	BT939	121	BTX25	107
BT8522	34	BT9904	19	BTX26	107
BT8600	79	BTG600	37	BTXL15	123
BT880-CC	102	BTG601	37	BTXL18	123
BT880-CC30	102	BTS/AR-M8	112	BTXL21	123
BT880-L	103	BTS/OPM	113	BTXL22	123
BT880-M	103	BTS/PHGSM	113	BTXL23	124
BT880-SP	104	BTS/PHM	112	BTXL24	124
BT880-UN1	104	BTS/PHTM	112	BTXL39	124
BT880-UN2	104	BTS/SNM6	113	BTXL41	124
BT881	43	BTS/SNM8	113	BTXL43	124
BT882	44	BTV110	27	BTXLR15	116
BT883	44	BTV222	27	BTXLR18	116
BT885	44	BTV500	28	BTXLR21	117
BT888	104	BTV501	29	BTXLR22	117
BT889	43	BTV510	28	BTXLR23	117
BT890	87	BTV511	29	BTXLR24	116
BT899	42	BTV520	28	BTXLR39	115
BT899	101	BTV521	29	BTXLR41	115
BT911	119	BTV910	53	BTXLR43	115





B-TECH AUDIO VIDEO MOUNTS

SAFE • SOLID • SECURE

Head Office

B-TECH INTERNATIONAL LIMITED

Bennett House, Long March, Daventry,
Northamptonshire, NN11 4NR, UK

From within the UK Tel: 0844 800 0445 • Fax: 0844 800 0446

From outside the UK Tel: +44 (0)1327 300787 • Fax: +44 (0)1327 706562

Email: info@btechavmounts.co.uk

Europe

B-TECH PRO-AV BVBA

Brixtonlaan 32, Zaventem 1930

Brussels, Belgium

Tel: +32 (0)2 720 9271

Fax: +32 (0)2 725 4215

Email: info@btechproav.com

North America

B-TECH AUDIO VIDEO MOUNTS

203 Eggert Road, Buffalo,

NY 14215, USA

Tel: (1) 800 975 5812

Fax: (1) 800 592 2876

Email: info@btechavmounts.com

Asia-Pacific

B-TECH AV MOUNTS PTE LTD

Ruby Industrial Complex,

Singapore 347740

Tel: (+65) 6841 2988

Fax: (+65) 6491 5613

Email: info@btechavmounts.com.sg

China

B-TECH INTERNATIONAL (Hong Kong) LTD

1503 Prosperity Millennia Plaza,

663 King's Road, Quarry Bay, Hong Kong

Tel: (+852) 2556 7337

Fax: (+852) 2556 7321

Email: info@btechavmounts.com.hk

© 2009 December B-Tech International Limited, a division of Bennett Technologies Limited. All rights reserved

The information in this catalogue reflects the current technical specifications at the time of print. We reserve the right to change the technical or physical specifications without prior notice. The B-Tech name, the B-Tech logo, Better by Design, Mountlogic, Ventry, System2, OWLS, Aviball, Avitock and Bib are all registered trademarks of B-Tech International Ltd. All B-Tech images and symbols are exclusive property of B-Tech International Ltd. All other brands and products are trademarks of their respective owners. B-Tech accept no liability for loss or damage caused by improper installation or mounting on unstable structures. E&OE.

DISCLAIMER

B-Tech security fasteners are designed as a security deterrent only. B-Tech, B-Tech Distributors and B-Tech resellers accept no liability for loss or resulting costs incurred from the theft, attempted theft or unauthorised removal of any item(s) mounted using B-Tech security fasteners. Security screw removal tools are widely available and all B-Tech security fasteners are intended as a deterrent to the opportunist thief only.