



ELECTROCOMPANIET
If music really matters...



AW 120

Owner's Manual

WARNING: To reduce risk of fire or electric shock, do not expose this appliance to rain or moisture. Verify line voltage before use.

Do not remove cover. No user serviceable parts inside. Refer servicing to qualified service personnel. The warranty is void if the product is tampered with by non authorised personnel. Use only authorised Electrocompaniet service station.

Unpacking the amplifier:

Immediately upon receipt of the amplifier, inspect the carton for possible damage during shipment. If the carton is visibly damaged, a claim must be filed with the carrier as soon as possible.

Unpack the unit carefully, and please do remember to save all packaging materials for future shipment. The carton and packaging have been designed to offer the safest possible protection when transporting your amplifier.

The content of the carton is as follows:

- 1 pcs Electrocompaniet Ampliwire 120 DMB
- 1 pcs AC power cord
- 1 Owner's Manual
- 2 pcs adapter, ECP5XLR
- 1 pcs Spare fuse, 5.0 AT slow-blow 5x20mm (120V AC)
2.5 AT slow-blow 5x20mm (220V AC)

The actual spare fuse is located inside the AC 3 pin receptacle.

Connecting the AW 120 DMB

Connecting to mains

Check that the mains voltage printed on the rear panel of the amplifier corresponds with the line voltage in the territory where you intend to use your amplifier.

How to avoid damages

A good operating practice is to turn off all equipment before any connections or disconnection's are made. Do not under any circumstances connect or disconnect equipment when power is turned on. If you insist on connecting or disconnecting while power is turned on, you should be aware that the design of the RCA plug generates a large transient when inserting the plug. This could damage both the speakers and the amplifier.

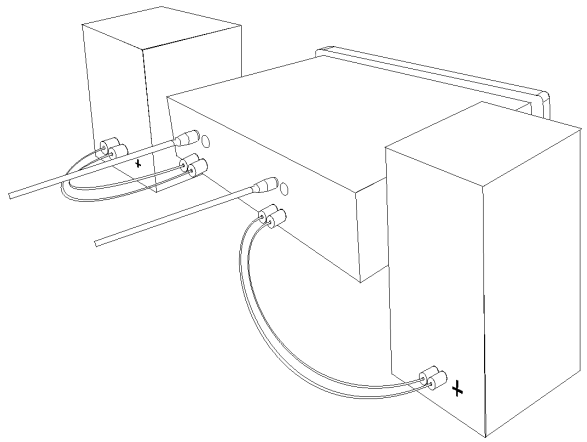
The rear panel

The rear panel of the Ampliwire AW 120 DMB is equipped with both an XLR input (female) and output (male), for link options. (Biamping, multiroom etc.)

AW 120 also features speaker connectors in addition to ordinary speaker terminals.

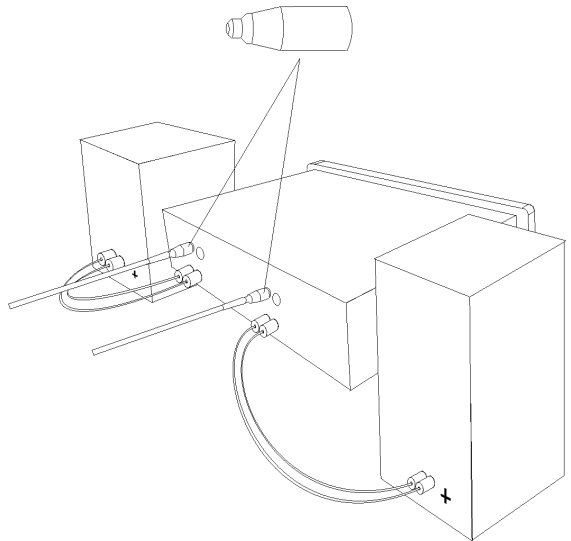
Balanced XLR operation

Use an interconnect with gnd on pin 1, + on pin 2 and – on pin 3



Single ended operation

Use an RCA to XLR adapter (ECP5XLR).
Connect ECP5XLR to the XLR input.
Connect the RCA interconnect to the input on the ECP5XLR



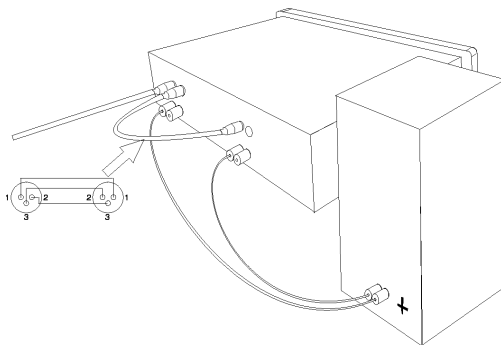
Balanced bridged mode (Mono)

Use an XLR interconnect from the preamplifiers balanced output left or right to the power amplifiers right input.

Link from the power amplifiers right XLR output to the power amplifiers left XLR input.

This link must turn the phase of + and -.

Connect the speakers + to the amplifiers right out +. Connect the speakers - to the amplifiers left out +.

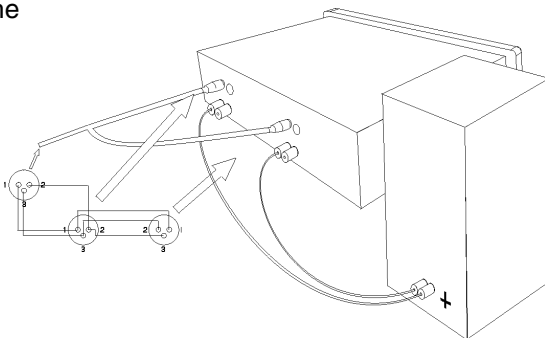


Balanced bridged mode (Mono)

Use the interconnect EC-K5-SPLITT.

Connect the end marked red to the left input on the amplifier.

Connect the speakers + to the amplifiers right out +. Connect the speakers - to the amplifiers left out +.



Technical Specifications AW120:

The following technical data were measured on randomised test objects and are typical data.

Amplifier section

Main voltage 120 V / 240 V. Clipping point of the amplifier is set to a level where total harmonic distortion (THD) is 0.2 %.

Output Impedance (20 Hz - 20 kHz)	< 0,01 Ohm
RCA (single) input impedance	220 kOhm
XLR (balanced) input impedance	110 kOhm
Input sensivity for rated output	1 V
Max. Peak current	> 100 A
THD (measured at 1 kHz half power, 8 Ohm)	< 0,002 %
THD (measured at 1 kHz 1 dB, 8 Ohm)	< 0,002 %
Noise (measured with both inputs shorted)	
400 Hz - 30 kHz :	90 µV
10 Hz - 30 kHz :	100 µV

Rated output power

10 % change in line voltage will give app. 20 % change in output power.

8 Ohm	2 x 120 W
4 Ohm	2 x 200 W
2 Ohm	2 x 350 W

Power consumption (no load or signal) 161 W

Dimensions

Width 483 mm / 19 inches
Depth 385 mm / 15 inches
Height 135 mm / 5.3 inches
Weight 19 kg. / 41.8 lbs.

Service Policy:

When service is needed

Your dealer will have all relevant information about the service centres in your area, and will ensure that your unit is serviced without delay. It is our general policy to have your amplifier returned to you within 5 working days. This is an average time, and could vary locally, depending on the work load at the service centre.

If, for some reason, there are no service facilities available in your country, please ship the amplifier to the following address:

Electrocompaniet as
Breivikveien 7
N-4120 Tau, Norway

Fax: +47 51 74 10 10
www.electrocompaniet.no
E-mail : service@electrocompaniet.no

You are responsible for all shipping charges, insurance, re-importation to your country, and duty arrangements. When shipping a product to the factory for service, always include the following:

- 1) A sales slip or other proof of purchase if repair is claimed under warranty
- 2) A proforma invoice with value of the goods, stating that the amplifier is returned to Norway for repair.
- 3) An accompanying letter describing faults, symptoms, or problems with the amplifier.
- 4) Always ship the amplifier in its original carton and packaging material to prevent damage in transit.

Electrocompaniet will not accept responsibility for any damage caused in transit, how ever caused.

If you require further information concerning the amplifier operation, or if you have any questions related to service, please do not hesitate to contact your dealer or your national Electrocompaniet distributor.