



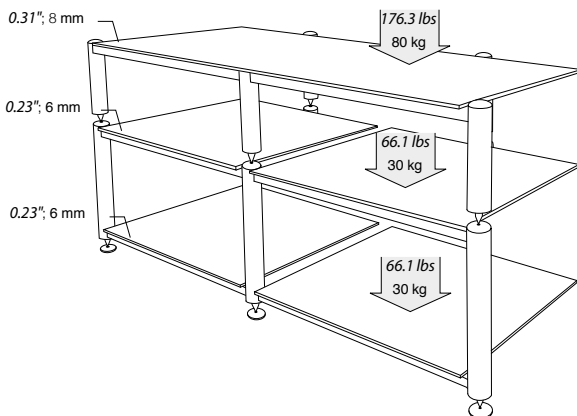
NorStone
design

Bergen AV

The AV version of the Bergen uses the same architecture and materials. This unit is wide enough to carry a sophisticated hi-fi or home-theater system with many devices such as AV amplifiers, DVD players, VCRs,... and a flat TV on the top shelf, up to 176 lbs (80 kg).



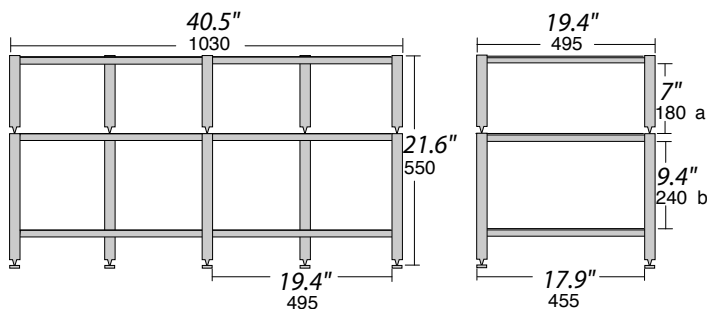
Specifications



Structure: Powder coated steel (glossy).
Shelves: Black lacquered tempered glass.

Maximum load: Top shelf can hold up to 176.3 lbs; 80 kg
Internal shelves can hold up to 66.1 lbs; 30 kg

Dimensions: Overall dimensions: W40.5" x D19.4" x H21.6"
W1030 x D495 x H550 mm
Internal shelves: W19.4" x D17.9"
W495 x D455 mm
Superior shelf: W37.4" x D17.9"
W951 x D455 mm
Height between shelves:
a: 7"; 180 mm
b: 9.4"; 240 mm



Packaging: Delivered in flat box.
Accessories: Screws kit, mounting instructions, mounting tools.

Brown packaging.
Packaging size: W44.5" x D21.2" x H5.3"
W1130 x D540 x H135 mm
Gross weight: 67.7 lbs; 30,7 kg
Net weight: 63 lbs; 28,6 kg
Number of labels: 1 front and 1 back.

Details



On the same range:



Bergen