



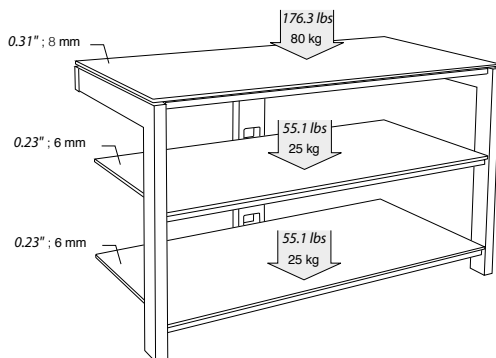
NorStone
design

Ekär 3

Perfectly versatile and compact, Ekär 3 is a very sturdy AV furniture designed to hold a complete home theater system (including electronic devices, a center speaker and even a video display: TV set, plasma or LCD TV up to 176 lbs, 80 kg).



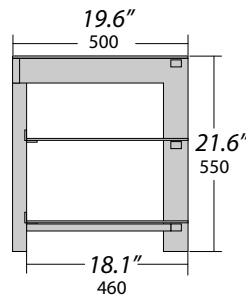
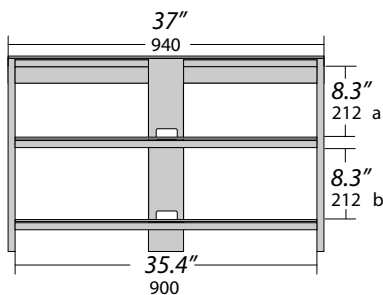
Specifications



Structure: Powder coated steel.
Shelves: Tempered frosted glass.
Wire path.

Maximum load: Top shelf can hold up to 176.3 lbs; 80 kg
Internal shelves can hold up to 55.1 lbs; 25 kg

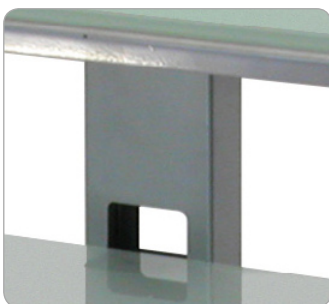
Dimensions: Overall dimensions: W37" x D19.6" x H21.6"
W940 x D500 x H550 mm
Internal shelves: W35.4" x D18.1"
W900 x D460 mm
Superior shelf: W37" x D19.6"
W940 x D500 mm
Height between shelves:
a: 8.3"; 212 mm
b: 8.3"; 212 mm



Packaging: Delivered in flat box.
Accessories: Screws kit, mounting instructions, mounting tools.

Brown packaging.
Packaging size: W41.7" x D24" x H5.9"
W1060 x D610 x H150 mm
Gross weight: 80.7 lbs; 36,6 kg
Net weight: 74.7 lbs; 33,9 kg
Number of label : 1 front and 1 back.

Details



On the same range:



Ekär 4