

The last born of the Epur range stands out with resolutely minimalist aesthetic qualities.

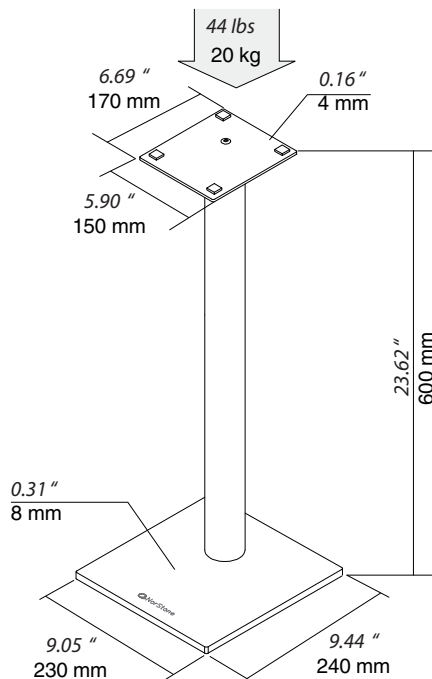
The original design (combination of glass and brush steel) of this speaker stand will highlight yours speakers and will be part of a harmonious interior decoration together with your audio system.

This is a wise choice for all of you : neophytes, enthusiasts or audiophiles.

This is a wise choice for all : neophytes, enthusiasts or audiophiles.



Specifications



Design : Satin brushed steel finish
Base plate : clear tempered glass
Cable management system
Transparent rubber pads

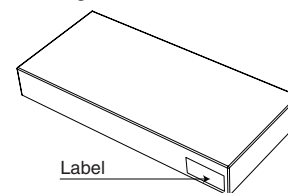
Max load : 44 lbs ; 20 kg

Dimensions : External (W, H, D) : 9.05 x 23.62 x 9.44 \"
230 x 600 x 240 mm
Upper shelf (W, D) : 5.90 x 6.69 \"
150 x 170 mm

Accessories : Screws kit, mounting instructions, mounting tools

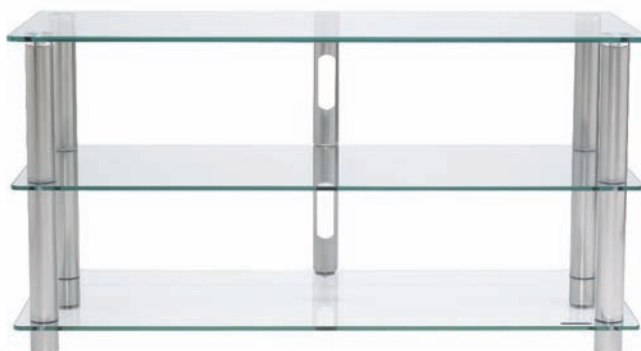
Packaging : Delivered in flat box
Size (W, H, D) : 24.4 x 11.22 x 3.34 \"
620 x 285 x 85 mm

Color : White
Qty / box : 2
Gross weight : 13.22 lbs ; 6 kg
Net weight : 11.68 lbs ; 5,30 kg



Details

On the same range :



Epur 3



Epur 4