



NorStone
design

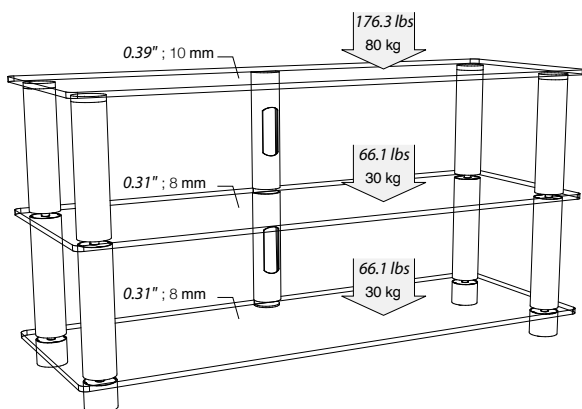
Epur 3

This AV piece is designed to hold your TV set (plasma, LCD, CRT), as well as your complete home-theater system and possibly a central speaker.

The specific design of Epur 3 will provide an easy access to your equipment. A good air flow ensures a perfect cooling of your electronics. Besides, the wire path is perfectly integrated.



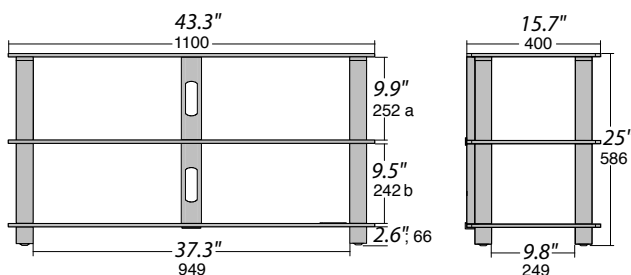
Specifications



Structure: Satin brushed steel finish.
Shelves: Tempered glass.
Wire path.
Ball-bearing feet.

Maximum load: Top shelf can hold up to 176.3 lbs; 80 kg
Internal shelves can hold up to 66.1 lbs; 30 kg

Dimensions: Overall dimensions: W43.3" x D15.7" x H25"
W1100 x D400 x H586 mm
Internal shelves: W37.3" x D9.8"
W949 x D249 mm
Superior shelf: W43.3" x D15.7"
W1100 x D400
Height between shelves: a: 9.9"; 252 mm
b: 9.5"; 242 mm



Packaging: Delivered in flat box.
Accessories: Screws kit, mounting instructions, mounting tools.

Brown packaging.
Packaging size: W47.6" x D18.6" x H4.7"
W1210 x D472 x H120 mm
Gross weight: 79.8 lbs; 36,2 kg
Net weight: 74.3 lbs; 33,7 kg
Number of labels: 1 front and 1 back.

Details

On the same range:



Epur 4



Epur C



Epur X