



NorStone
design

Mask

This revolutionary concept adapts the AV housing to the specific needs of the user, to ease his life.

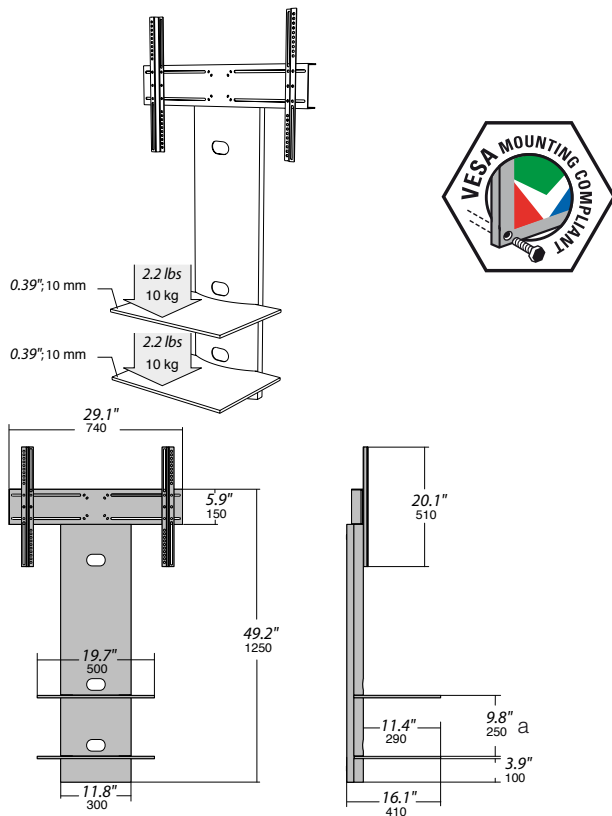
NorStone designers came to a simple and practical conclusion, based on the plasma and LCD business analyse. While people buy a flat screen because «it looks so fancy and classy once hung on the wall», most of the installations end up in a table set up once back home... Why? Because installing a 66.1 lbs (30 kg) TV on the wall is tough!

That's how the concept of Mask is born.

This flat screen wall mounting concept is quick, easy and you can install it anywhere, no matter if you own your home in the country side or if you rent your flat in one of those expensive big cities. Your flat screen TV is wall mounted, you can easily hide the cables and use the two glass shelves to hold your electronics.



Specifications



Structure: Powder coated steel (glossy black).
Shelves: tempered glass.

Maximum load: The LCD/Plasma support can hold up to:
-154.3 lbs; 70 kg.
-Screen from 32" to 50"; 81 cm à 1m27.
The shelves can hold up to 2.2 lbs; 10 kg

Dimensions: Overall dimensions: W29.1" x D16.1" x H49.2"
W740 x D410 x H1250 mm
Internal shelves: W19.7" x D11.4"
W500 x D290 mm

Height between shelves:
a: 9.8"; 250 mm

Compatibility: LCD/Plasma screens from 32" to 50"
(from 81 cm to 127 cm)
VESA 75, VESA 100, VESA 200 x 100,
VESA 400 x 200, VESA 600 x 200, VESA 600 x 400

Packaging: Delivered in flat box.
Accessories: Screws kit, mounting instructions,
mounting tools.

Packaging: cardboard.
Number of labels: 1 front and 1 back.

Gross weight: 57.3 lbs; 26 kg
Net weight: 50.7 lbs; 23.5 kg

Details

