



In the same range:
Più

Più AV

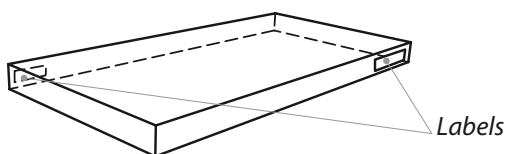
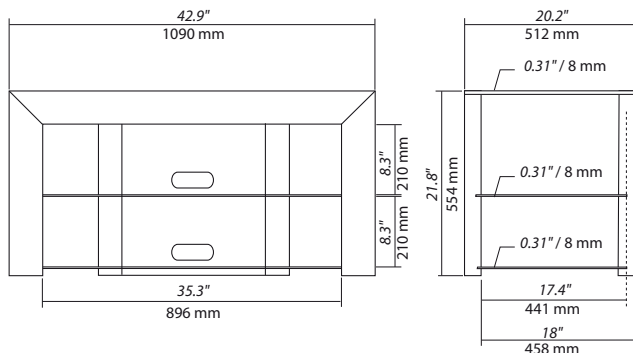
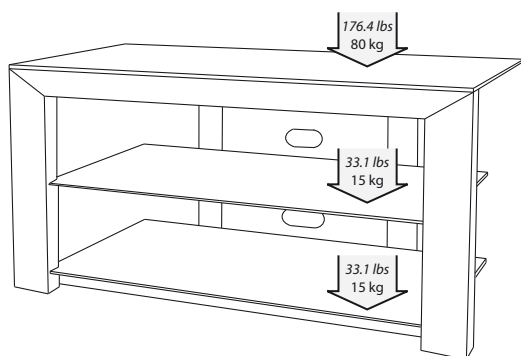
The AV version of the Più has set the benchmark for elegance, purity and versatility. Più AV revamps your flat screen TV and emphasises your Home Theatre electronics.

Our designers always work to spot new and emerging trends to ensure our products always remain a reflection of modern life. After a long period of minimalism, people are today welcoming warmth and personality back in their homes: a way to stand out from the crowd and to tell about their own personal story.

The AV version is now available in 4 colors (*Piano Black/Black, Black, Light Oak/Black, Wenge White* and a new finish: *White Piano/Black*).



SPECIFICATIONS



DESIGN

Finishes: *Piano Black/Black, Piano White/Black, Light Oak/Black or Wenge/White*

Structure: MDF (black or white piano lacquer, light oak or wenge) and steel

Shelves: Black or white lacquered tempered glass

Miscellaneous: Cable management system

MAXIMUM LOAD

Upper shelf: 176.4 lbs / 80 kg

Internal shelves: 33.1 lbs / 15 kg

USABLE DIMENSIONS

Overall dimensions (W x H x D):

42.9" x 21.8" x 20.2" / 1090 x 554 x 512 mm

Upper shelf (W x D): 42.9" x 20.2" / 1090 x 512 mm

Internal shelves (W x D): 35.3" x 17.4" / 896 x 441 mm

Height between shelves: 8.3" / 210 mm

PACKAGING

Delivered disassembled with screws kit, mounting instructions and tools

Quantity/box: 1

Type: Brown cardboard

Dimensions (W x H x D):

47.2" x 4.7" x 27.3" / 1200 x 120 x 695 mm

Gross weight: 102.3 lbs / 46,4 kg

Net weight: 92,6 lbs / 42 kg

GenCodes: 3760108801158 (*Piano Black/Black*)

3760108801752 (*Piano White/Black*)

3760108801165 (*Light Oak/Black*)

3760108801240 (*Wenge/White*)