



NorStone
mount

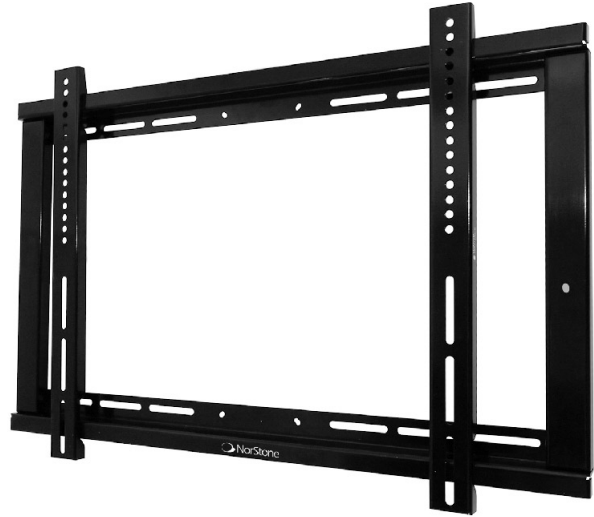
Walm 3250

Because a flat screen TV becomes a piece of art once wall mounted, NorStone Mount offers a line of truly universal plasma and LCD brackets. All NorStone Mount brackets combine a great resistance to loading, a unique ease of use, and a reinforced safety (featuring locking systems). Walm 3250 aesthetically supports any plasma screen from 32" to 50".

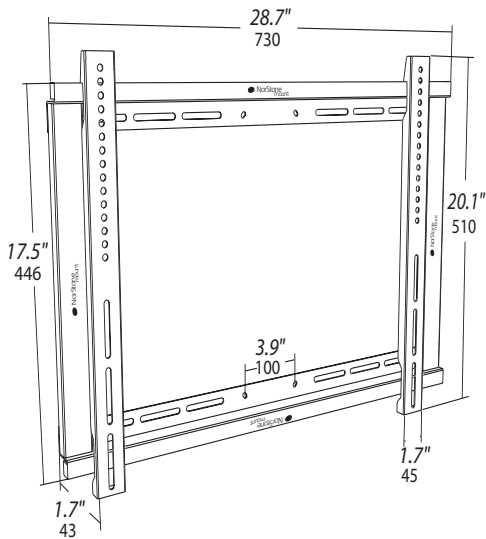
VESA compliant.



VESA 75, VESA 100, VESA 200 x 100, VESA 200
VESA 400 x 200, VESA 400, VESA 600 x 400



Specifications



Structure: Powder coated steel (glossy black).

Maximum load: The support can hold up to 154.3 lbs; 70 kg

Dimensions: Overall dimensions: W28.7" x D1.7" x H20.1"
W730 x D43 x H510 mm

Packaging: Delivered in flat box.
Accessories: Screws kit, mounting instructions, mounting tools.

Brown packaging.
Packaging size: W30.3" x D7.7" x H2"
W770 x D195 x H50 mm

Gross weight: 10.4 lbs; 4,7 kg
Net weight: 9.2 lbs; 4,2 kg
Number of labels: 1 front and 1 back.

Details

