



Walm T-3250i: a strong and safe multi-format mounting system with an adjustable tilt.

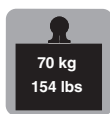
This new 2008 version of the T-3250, much easier to adjust, is compatible with all the flat screens of the market, from 32" to 50".

The "T" version allows a tilt of 20° (± 10°).

A safety locking system (anti-wrench) extremely reliable will efficiently protect your screen against thieves.



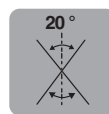
Compatibility
32" -> 50"
(81 cm -> 127 cm)



Maximum load
70 kg
154 lbs



Easy to install



Adjustable
Tilt +/- 10°



Glossy black



Security fastener

Specifications

Design:

Powder coated steel
Glossy black finish
Security fastener – anti-wrench
(no padlock provided)
Tilt angle: 20° (+/- 10°)
Easy to install



Compatibility:

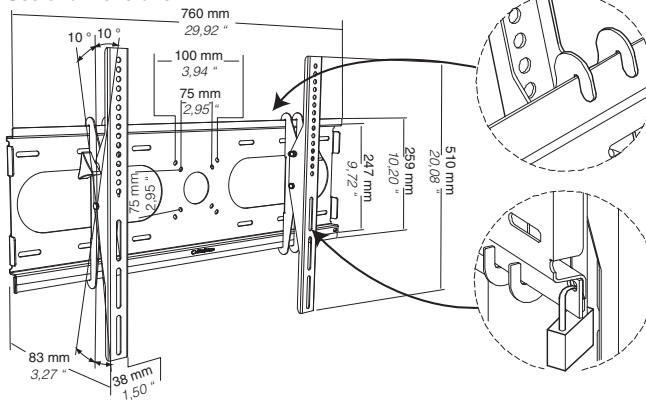
32" (81 cm) to 50" (127 cm) flat screens
VESA 75, VESA 100, VESA 200 x 100, VESA 200,
VESA 400 x 200, VESA 400, VESA 600 x 400

Maximum load: 154 lbs - 70 kg

Dimensions: 29,92 x 20,08 x 3,27" - 760 x 510 x 83 mm

Accessories: Screws kit, mounting tools, mounting instructions
Screws and pegs for attachment to the wall are not provided.

Useful dimensions



Packaging

Packaging Per Unit:

Quantity per box: 1
Type: Color box
Dimensions (W, H, D): 30.71 x 10.63 x 1.97" - 780 x 270 x 50 mm
Net/Gross weight: 11,24 lbs / 13 lbs - 5,1 kg / 5,9 kg
Languages: English, French, Spanish, Italian, German, Russian
GenCode: 3760108807181
Delivered disassembled



Packaging Per 5 Units:

Quantity per box: 5 pieces in their one unit box
Type: Brown box
Dimension (W, H, D): 33.85 x 11.61 x 11.61" - 860 x 295 x 295 mm
Net/Gross weight: 56,2 lbs / 65 lbs - 25,5 kg / 29,5 kg
GenCode: 3760108807198



Also available



Walm 2032
Compatible with flat screens
from 20" to 32"



Walm 3250
Compatible with flat screens
from 32" to 50"



Walm 4070
Compatible with flat screens
from 40" to 70"



Curve S / Curve M
Swiveling, tilting - compatible
with VESA 75 et VESA 100
standards



Slim 75-10
Discreet and compatible
with VESA 75 et VESA 100
standards