

Offering an ideal combination of styling and functionality, this TV stand includes a 7.1-channel home theatre system with 250W digital amplifier and invisible subwoofer. It has angled rear corners for space-saving corner placement.



A perfect match  
up to **40"** flat  
TVs and monitors.



Available with choice of White or Black finish in some areas.

### Sophisticated, Flexible Design

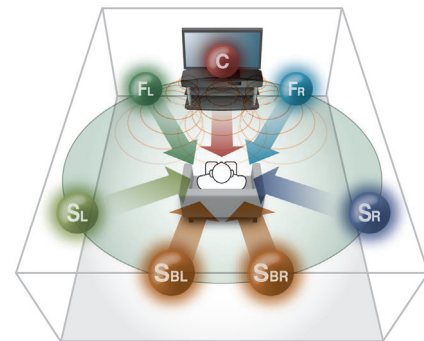
- Handsome design with beautiful finish will add elegance to any interior
- Convenient installation: angled rear corners for placement in room corners, height-adjustable shelf, concealed wiring, interior slide sheet for easy movement

### Dynamic Surround Sound

- Yamaha exclusive AIR SURROUND XTREME for spacious multi-channel listening enjoyment
- Built-in 250W digital amplifier
- Headphone surround technology
- Music Enhancer and four surround modes (Movie, Music, Sports, Game)
- Invisible powerful 100W subwoofer
- Extended Stereo for wider stereo imaging

### First-Class Audio Enjoyment

- HD Audio format decoding
- 3 in/1 out 1080p-compatible HDMI (V.1.4a with 3D and Audio Return Channel), Deep Colour, x.v.Colour, Auto Lip-Sync and CEC functionality
- Three 4x10cm front speakers for wide, high clarity treble response, 13cm subwoofer (invisible) for extended, crisp bass response, and front cabinet designed for effortless midrange response
- UniVolume keeps volume during TV programmes and commercials at the same level
- Dock port for adding optional YID-W10, YDS-12 and YBA-10 (see page 3)



### AIR SURROUND XTREME

Yamaha's exclusive AIR SURROUND XTREME achieves incredibly realistic 7.1-channel surround sound from a single location. You hear clear dialogue from the front, with distinctly separate surround sounds and smooth sound movement around the sound field.

**SOPHISTICATED, FLEXIBLE DESIGN**

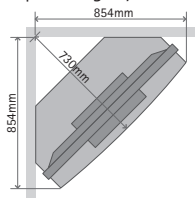


**Elegant and Practical**

Yamaha's traditional strength in creating elegant products is evident in the design of the YRS-700. With the surround sound unit housed in the top section and supported by two aluminium columns, it offers an open design that evokes the look of a grand piano and has plenty of space for your other components. It also eliminates the problem of where to put a subwoofer, as a powerful 100W unit is hidden away inside, maintaining the neat and attractive appearance. The middle shelf is height adjustable.

**Convenient Placement**

The YRS-700 makes it easy to achieve a neatly installed system exactly where you want it. Angled corners in the back allow the unit to fit neatly in a corner of the room, providing layout flexibility and minimising dead space in the room. Concealed wiring adds to the attractiveness. An interior slide sheet lets you easily slide the unit when you want to move it.



**DYNAMIC SURROUND SOUND**

**AIR SURROUND XTREME**

This highly effective system delivers true 7.1-channel surround sound from front speaker system and subwoofer. It allows you to hear clear dialogue and other sounds from the front, specific sounds from the other channels to the sides and rear, and continuous sound movement around you. The subwoofer delivers all the powerful bass you expect from multi-channel music and movie sources.



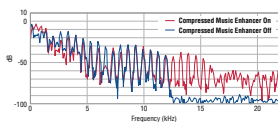
**Headphone Surround Technology**

Yamaha has succeeded in providing a 7.1-channel surround sound experience through headphones, while maintaining excellent audio quality. Using highly sophisticated HRTF (Head-Related Transfer Function) technology and FIR (Finite Impulse Response) filter processing, the headphone output offers accurately localised front and rear sound orientation for private enjoyment of movies, music. There are also specialised modes for TV programmes and games.



**Music Enhancer and Surround Mode**

When music is encoded into a digitally compressed format like MP3, the frequency response suffers. This function restores what was lost, so your music always sounds the way it should. Four surround modes create realistic soundscapes for Movies, Music, Sports and Games.



The Music Enhancer restores the original, live sound of your music, especially deep, strong sounds like bass and drums.

**FIRST-CLASS AUDIO ENJOYMENT**

**HD Audio Format Decoding**

The YRS-700 decodes HD Audio signals to ensure that you hear the best possible sound from Blu-ray Disc players, as well as from all other digital sources.



**1080p-Compatible HDMI V.1.4a**

The YRS-700 provides 3 in/1 out HDMI connections with support for 1080p resolution. HDMI V.1.4a is the latest version of the HDMI interface, featuring 3D for transmitting 3D video signals. Audio Return Channel lets you hear the TV sound from the YRS-700 via a single HDMI cable, with no need for an extra optical cable. HDMI also provides the benefits of Deep Colour, x.v.Colour and Auto Lip-Sync.



**CEC Compatibility**

When the YRS-700 can be connected to a CEC-compatible TV, such as a Panasonic VIERA Link compatible television, it will turn on and off simultaneously with the TV.

**High Sound Quality Design**

Three 4x10cm acoustic suspension front speakers ensure wide, high clarity treble response. The built-in bass reflex 13cm subwoofer delivers powerful and extended bass response with no muddiness. The design of the front cabinet also contributes to sound quality by improving midrange response.



**UniVolume**

This welcome feature maintains a consistent volume level between different channels, programmes, commercials and input sources. It can be switched on and off.

**Preset Volume**

This function allows you to set a preferred volume level which will come on each time the unit is turned on, regardless of what the level was when it was turned off.

**Other Notable Features**

- Surround indicator shows HD or SD video format
- Stereo mini jack headphone out
- Audio delay
- Dimmer



Convenient placement minimises dead space in your room.

Optional Accessories for Added Convenience



**YID-W10**  
 Wireless Dock System for iPod/iPhone

The optional YID-W10 ensures that you enjoy maximum sound quality and no lip sync (AV matching) problems.

- Dimensions (W x H x D): 43.3 x 94 x 17.6 mm (Transmitter), 91 x 54 x 88 mm (Cradle)



**YDS-12**  
 Universal Dock for iPod/iPhone

The optional YDS-12 Universal Dock lets you connect your iPod or iPhone to the receiver.

- Dimensions (W X H x D): 89 x 37 x 86 mm



**YBA-10**  
 Bluetooth® Wireless Audio Receiver

The optional YBA-10 supports A2DP audio streaming, enjoying music wirelessly from Bluetooth-enabled mobile phones, Windows PCs and Macs.

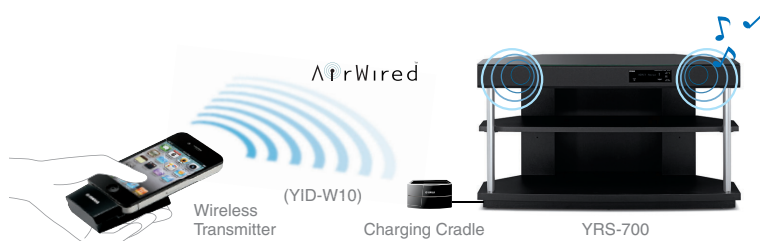
- Dimensions (W X H x D): 78 x 50 x 69 mm



Only Yamaha Has AirWired Technology!

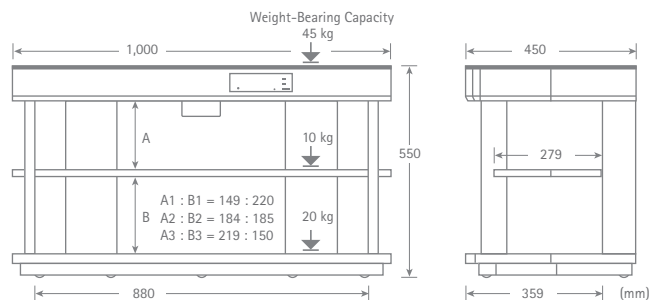
**AirWired Technology for Wireless Connections**

The YRS-700 makes it easy to enjoy music from your iPod/iPhone via a wireless link. You also get outstanding sound quality, because AirWired technology transmits uncompressed data so there is no loss of signal data, unlike systems that use Bluetooth technology to send compressed data. In addition, there is no delay time, ensuring that sound and video are always in sync.



**Main Specifications**

Maximum Power	Speaker system: 50 W x 3 (6 ohms, 1 kHz, 10% THD) Subwoofer: 100 W (3 ohms, 100 Hz, 10% THD)
Front Speaker System	Acoustic suspension system with Tri 4x10cm cone drivers
Subwoofer	Bas-reflex system with 13cm cone driver (magnetic shielding)
System Frequency Response	35 Hz-20 kHz
Input Terminals	3 HDMI, 2 optical, 1 coaxial and 1 analogue
Input Sensitivity/Impedance	1 Vrms/32 k-ohms (analogue input)
Signal-to-Noise Ratio	98 dB (digital) / 82 dB (analogue)
Standby Power Consumption	0.5 W (HDMI control off)
Weight-Bearing Capacity	Top board: 45 kg; shelf: 10 kg; bottom board: 20 kg
Dimensions (W x H x D)	1,000 x 550 x 450 mm
Weight	36.5 kg



\* A/B: Shelf can be adjusted to three different levels.



YRS-700 rear panel offers HDMI (3 in/1 out) interface, 2 optical/1 coaxial digital and 1 analogue audio input, 1 composite video out and dock terminal.

• "Made for iPod," and "Made for iPhone" mean that an electronic accessory has been designed to connect specifically to iPod or iPhone respectively, and has been certified by the developer to meet Apple performance standards. Apple is not responsible for the operation of this device or its compliance with safety and regulatory standards iPhone, iPod, iPod classic, iPod nano and iPod touch are trademarks of Apple Inc. registered in the U.S. and other countries. • The Bluetooth® word mark and logos are registered trademarks owned by Bluetooth SIG, Inc. • Pro Logic and the double-D symbol are registered trademarks of Dolby Laboratories. • DTS and the symbol are registered trademarks, and DTS-HD, DTS-HD Master Audio, and the DTS logos are trademarks of DTS, Inc. • HDMI, the HDMI logo and High-Definition Multimedia Interface are trademarks or registered trademarks of HDMI Licensing LLC. • "x.v.Colour" is a trademark of Sony Corporation. • Product designs and specifications are subject to change without notice.