

CD-S2000

Natural Sound Super Audio CD Player

Full-Stage Balanced Signal Transmission

Silent Loader and High Precision CD Drive

Independent Power Supplies with Full Digital/Analogue Separation

Pure Direct



HiFi Began with Yamaha

Yamaha's involvement with and passion for music goes back more than a century, to when we built our first reed organ in 1887. Now we are the world's leading producer of pianos and other musical instruments, and are involved with music in many other ways as well. We manufacture professional recording equipment, we design concert halls and we assist artists at concerts with set up and sound tuning. This knowledge and experience benefits our production of audio components in many ways. We introduced our first HiFi (High Fidelity) turntable in 1954, becoming the first company to actually use the term "HiFi." Thereafter we were one of the first to offer mass-produced, high quality audio equipment, and introduced many legendary stereo components. We hope you enjoy the genuine HiFi experience of Yamaha Natural Sound.



Yamaha Creates an Ultra High Quality CD Player for True Music Enthusiasts

Full-Stage Balanced Signal Transmission Achieves the Ultimate in CD Reproduction

In the quarter century since the CD medium appeared, it has become widely popular for its combination of excellent quality and convenience. CDs can now be played on DVD players as well, but for the highest reproduction quality, a dedicated CD player should be used. Yamaha recognised the need for a CD player that would allow audiophiles to enjoy their music exactly as it was recorded, with absolutely nothing added or lost.

In order to realize ideally balanced signal transmission when this player is connected to the A-S2000 integrated amp, the D/A converter uses a differential motion mode to achieve balanced transmission of

all stages after it. Music fans can realise the audiophiles' dream of fully balanced signal transmission from DAC output to just before the speaker jack by pairing this machine with the A-S2000.

Full-Stage Balanced Signal Transmission Beginning with the DAC

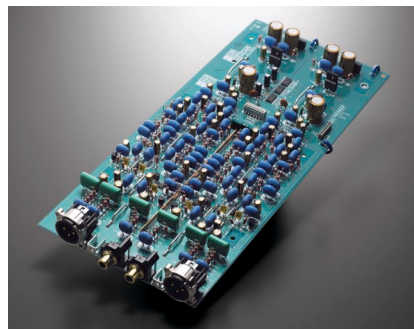
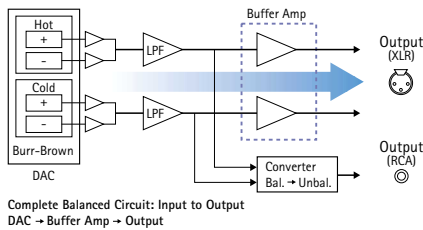
The CD-S2000 features a differential motion D/A converter that succeeds in doubling the conversion precision by using Yamaha's high precision DAC converters on the plus side and the minus side. The outputs of the plus and minus sides are input into isolated low pass filters, and transmitted in a fully balanced state from there to the output jack. Combining this player with the A-S2000 amplifier lets you

enjoy high purity CD reproduction of a quality unmatched in this class, thanks to an absence of transmission noise and related sound degradation.

Silent Loader and High Precision CD Drive

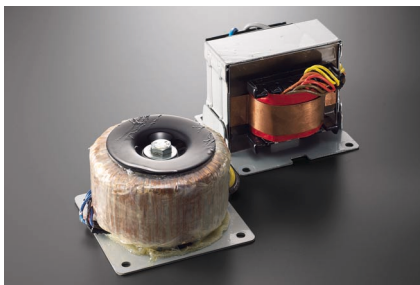
The mechanism that picks up the signal is actually analogue, even during the digital reproduction of a CD. So the quality of the precision of the drive mechanism has a significant impact on the precision of the subsequent digital signal, and on the final sound. The CD-S2000 mechanism includes a new Silent Loader that solidly supports the CD drive and the loading mechanism, and a highly reliable brushless spindle motor. The aluminium disc tray provides a luxurious touch matched to the superb sound quality.

Balanced Circuit (CD-S2000)

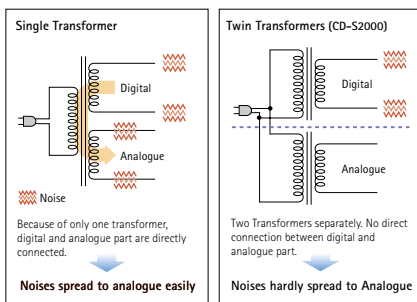


Independent power supplies with digital and analogue completely separated

The independent power supplies use separate transformers to isolate the audio circuitry from the digital circuitry to eliminate any effect of noise from both circuits. The audio section employs a toroidal transformer that holds down magnetic flux leakage to achieve a stable power supply. Specialised windings on the left and right channels isolate the rated current circuits to the left and right beyond them, achieving superior separation characteristics.



Twin Power Transformers (CD-S2000)



Pure Direct

This is the first Yamaha CD player to incorporate the Pure Direct circuit, which has long been provided on our AV amplifiers. Since this player has separate analogue and digital sections, the same as an AV amp, we decided that using AV amp expertise was a good way to achieve high sound quality. When Pure Direct is on, the display is turned off and digital output is stopped, realising the highest possible analogue sound quality.



Left-right symmetrical design with rigid, stable construction

Construction

Like the A-S2000 integrated amp, the CD-S2000 has a left-right symmetrical design with rigid, stable construction due to a reinforcing bar in its centre. Specially designed feet stabilize the grounding and are very effective in damping external vibrations.

Super Sound from Super Audio CDs

The CD-S2000 is capable of playing Super Audio CDs, for an even more dynamic listening experience.



Specially Designed Feet

The extra-heavy feet provide a choice of two bases. You can leave the round, flat neodymium magnets in place or remove them to rest the amplifier on four single points. The feet are also height adjustable. They ensure stability on any surface, with superior vibration damping.



CD-S2000 Main Specifications

Frequency Response	(CD)	2 Hz–20 kHz
	(Super Audio CD)	2 Hz–50 kHz (-3 dB)
Harmonic Distortion	(CD)	0.002% (1 kHz)
	(Super Audio CD)	0.0017% (1 kHz)
Signal-to-Noise Ratio	(CD/Super Audio CD)	116 dB
Dynamic Range	(CD)	100 dB
	(Super Audio CD)	110 dB
Output Level	(CD/Super Audio CD)	2 ± 0.3 V (1 kHz, 0 dB)
Dimensions (W x H x D)		435 x 138 x 418 mm; 17-1/8" x 5-7/16" x 16-7/16"
Weight		15 kg; 33 lbs.



The perfect match:



A-S2000 Natural Sound Stereo Amplifier