

GRANDE UTOPIA™ EM™

USER MANUAL





SUMMARY

	pages
WARNING !	4
GRANDE UTOPIA™ EM™	5
INSTALLATION	6
CONNECTION	8
ADJUSTABLE FOCUS TIME	10
FINE TUNING	12
SPECIFICATIONS	25
MEMO	26
INTERNATIONAL GUARANTEE	29

WARNING

Focal-JMLab, incorporated company with a capital of 527 000 euros, which registered office is situated in 108, rue de l'Avenir, BP 374 42353 La Talaudière, registered at the RCS of St Etienne under the number 309 645 521 000 76.

The loudspeakers use a pure Beryllium inverted dome tweeter that extends the bandwidth at 40kHz.

Because of the Beryllium potential dangerousness, the material that constitutes the tweeter, some safety instructions described below must be followed by the user of the loudspeakers in order to avoid any risk of this material absorption.

However, the risks are extremely limited in its solid form, as the product dangerousness is linked to the inhalation, absorption or contact of vapours or micro-particles.

1. Safety instructions

The Beryllium dome must never be in contact with abrasive material.

You must avoid any contact with the skin or the eyes, any inhalation or ingestion of the whole or a part of the Beryllium dome. The manufacturer underlines that the Beryllium absorption by respiratory, digestive tracts or skin can lead to serious physical troubles, because of its high toxicity for man.

We then recommend to the loudspeaker users to carefully keep the tweeter protection grille in place. If the protection grille is removed, the user will have to carefully replace this grille after use.

Generally speaking, children must be kept away from loudspeakers and especially from the Beryllium dome.

2. In case of dome damaging

If the Beryllium dome is damaged in any possible way, you must cover it as soon as possible on all its surface with the supplied protection adhesive tape. We recommend that you contact the retailer so that a competent department will take off and replace the tweeter.

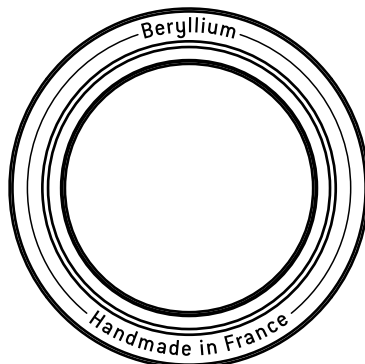
If the dome is broken, the possible Beryllium particles must be carefully collected with the supplied protection adhesive tape and then be placed in a hermetically sealed plastic bag. It will be sent with the loudspeaker to the retailer.

In case of absorption by skin, eye projection or in case of inhalation or ingestion of Beryllium, see a doctor.

3. End of life for loudspeakers - Information

At the end of the loudspeaker life, you must not throw this product in the environment, but you must take it to an adapted recycling center.

For more information, please contact us directly to the following address:
beryllium@focal-fr.com



GRANDE UTOPIA™ EM™

Thank you for choosing Focal loudspeakers. We are pleased to share with you our philosophy: "the Spirit of Sound". These high performance speakers feature the latest technical developments from Focal in terms of speaker design, whether it is for high fidelity or home theater systems. In order to (make the most of these speakers) enjoy the maximum of their performance, we advise you to read this user's manual and to keep it carefully so that you can consult it later.

The Focal-JMlab guarantee only applies if the enclosed guarantee card is returned to us within 10 days of purchase.

Running-in period

The drivers used in the loudspeaker are complex mechanical devices and require run-in period before they deliver their best performance. They must get adapted to the temperature and humidity conditions of their environment. This breaking-in period depends on the encountered conditions and can last several weeks. In order to shorten this period, we advise you to let your loudspeakers operate for about twenty hours at medium level, playing standard musical programmes, but with a large amount of bass.

Once the components of the loudspeakers are completely stabilized, it is possible to enjoy the real performance of your loudspeakers.

User precautions

All the products are lacquered in order to offer a resistant cabinet surface and to make the upkeep easy. We recommend the use of a dry cloth to dust your pair of loudspeakers. If the loudspeaker is stained, then use a damp cloth.

Never use any solvents, detergents, alcohol or corrosive products, scrapers or scouring powder to clean the surface of the loudspeaker. Avoid placing the loudspeakers near a heat source.



Your Focal-JMlab product was developed and manufactured with high-quality materials and components which can be recycled and/or reused. This symbol indicates that electrical and electronic equipment must be disposed of separately from normal garbage at the end of its operational lifetime. Please dispose of this product by bringing it to your local collection point or recycling centre for such equipment. This will help to protect the environment in which we all live.

INSTALLATION

Positioning

The loudspeakers have been engineered to deliver the most faithful sound reproduction, whether they are used for music or home cinema. In order to enhance their performance, to guarantee a high quality of listening, sound image and tone balance, it is important to note the following basic rules.

The listening area must be located at the summit of an equilateral triangle whose two other points of insertion are determined by the position of each speaker. Nevertheless it is possible to modify these distances to find an ideal compromise according to the particular disposition of the room (*fig. A*).

Each loudspeaker must be placed at the same height and on the same floor plan. The tweeter should be at the same height as the listener's ear, when the listener is in their usual listening area (*fig. B*).

Avoid placing the loudspeakers too close to the room's corners or walls. This will induce some unwanted room resonance and artificially increase bass response. On the contrary, if the bass level proves to be insufficient, it is possible to move the speakers closer to the walls to adjust the bass level (*fig. C*).

Optimization

To please the perfectionists, we shall give an optimum positioning formula :if **A** is the distance from the woofer centre to the closest wall (floor or wall), **B** the intermediate distance and **C** the longest distance ($A < B < C$), the relation $B^2 = AC$ determines the ideal position of the speakers (*fig. D*).

• Example 1:

The woofer centre is 60cm (24") from the floor ($B=60\text{cm}$) (mini speaker on a foot), standing 50cm (20") from the back wall ($A=50\text{cm}$), the side wall will be ideally 72cm (28") ($C=B^2/A=72\text{cm}$).

• Example 2:

The woofer centre is 30cm (12") from the floor (column speaker) ($A=30\text{cm}$), 1m (39") from the back wall ($C=1\text{m}$), the clearance with respect to the side walls will be $B=\sqrt{AC}=54.7\text{cm}$ (22").

User instructions

The sound rendition of the loudspeaker strongly depends upon the listening room acoustics, the place of the loudspeakers and the listening area. These factors can be modified in order to correct or enhance a desired effect.

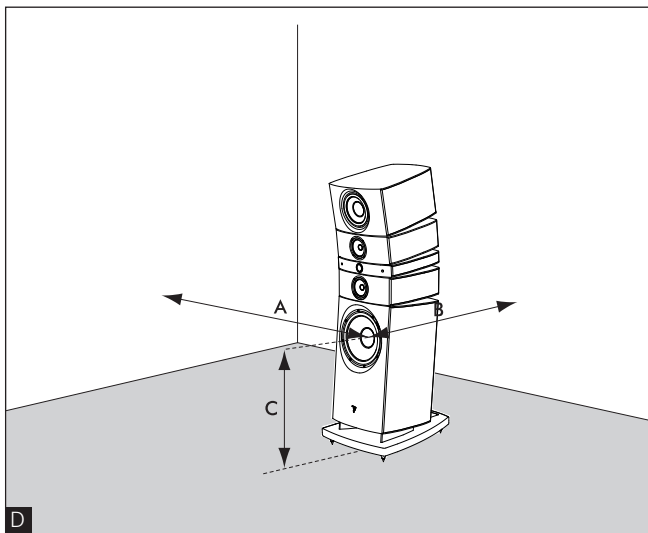
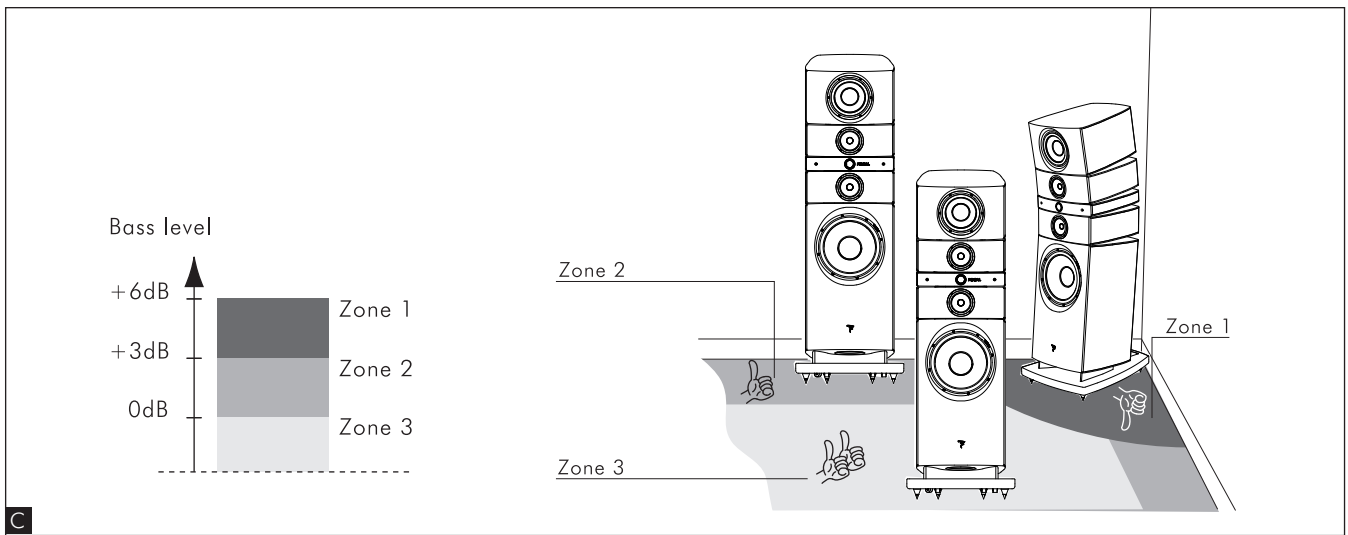
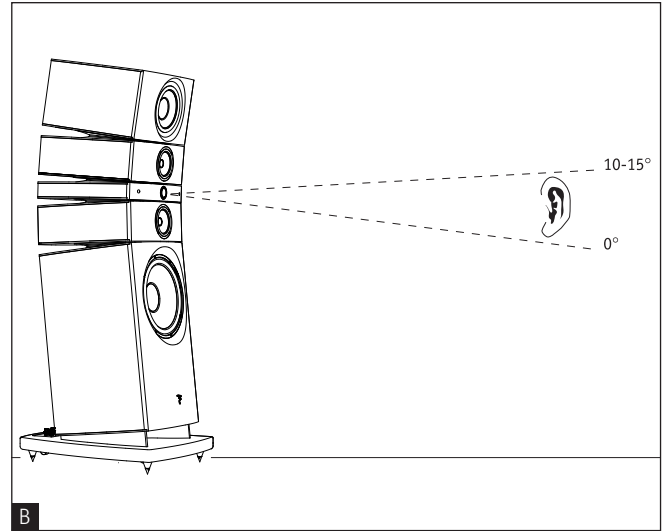
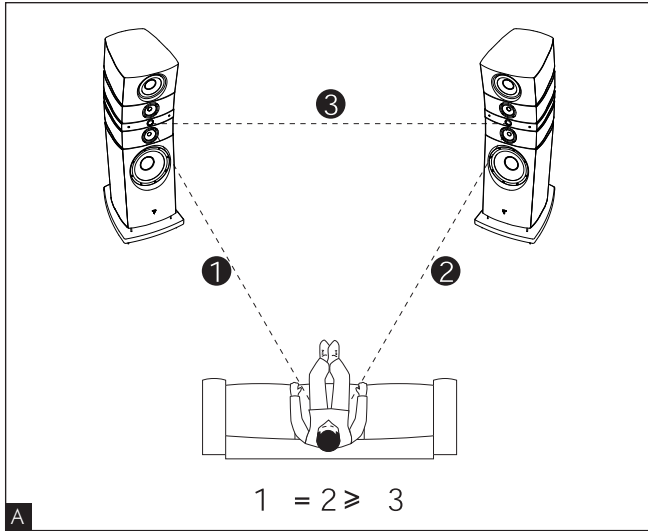
Should the soundstage be im-precise or not centred, try to move the loudspeakers closer to each other.

Harsh or aggressive sound means that your listening room is probably too reflective. Try to use any absorbing materials (such as tapestries, sofa, wall coverings, curtains...) combined with reflective materials to absorb or diffuse resonances.

Should the sound be "flat" or muffled, there are too many absorbing materials in the listening room. The sound appears to be closed-in, with a narrow stereophonic image. Try to find a better compromise between absorbing and reflective materials within your listening room.

Generally the wall to the rear of the speakers should be made up of reflective materials so that the sound image exhibits satisfying volume and width. On the contrary the wall on the rear of the listener should be absorbing in order to avoid reflections damaging the perception of the stereo soundstage. These reflections may limit the impression of depth of the sound image. Furniture, such as bookshelves should ideally be placed along the side walls in order to diffuse sound waves and to prevent some frequencies from being amplified, especially in vocal range (it removes "flutter echo").

INSTALLATION



Note:
For rooms over 30m², take the 11" as a reference and not the 16" driver.

CONNECTION

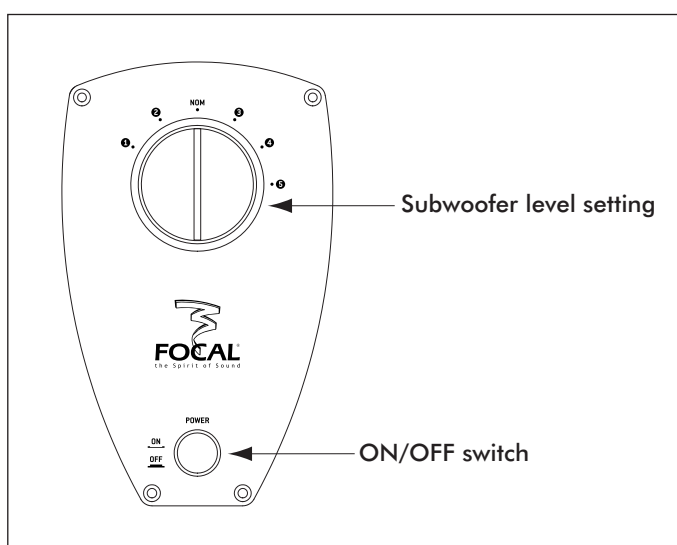
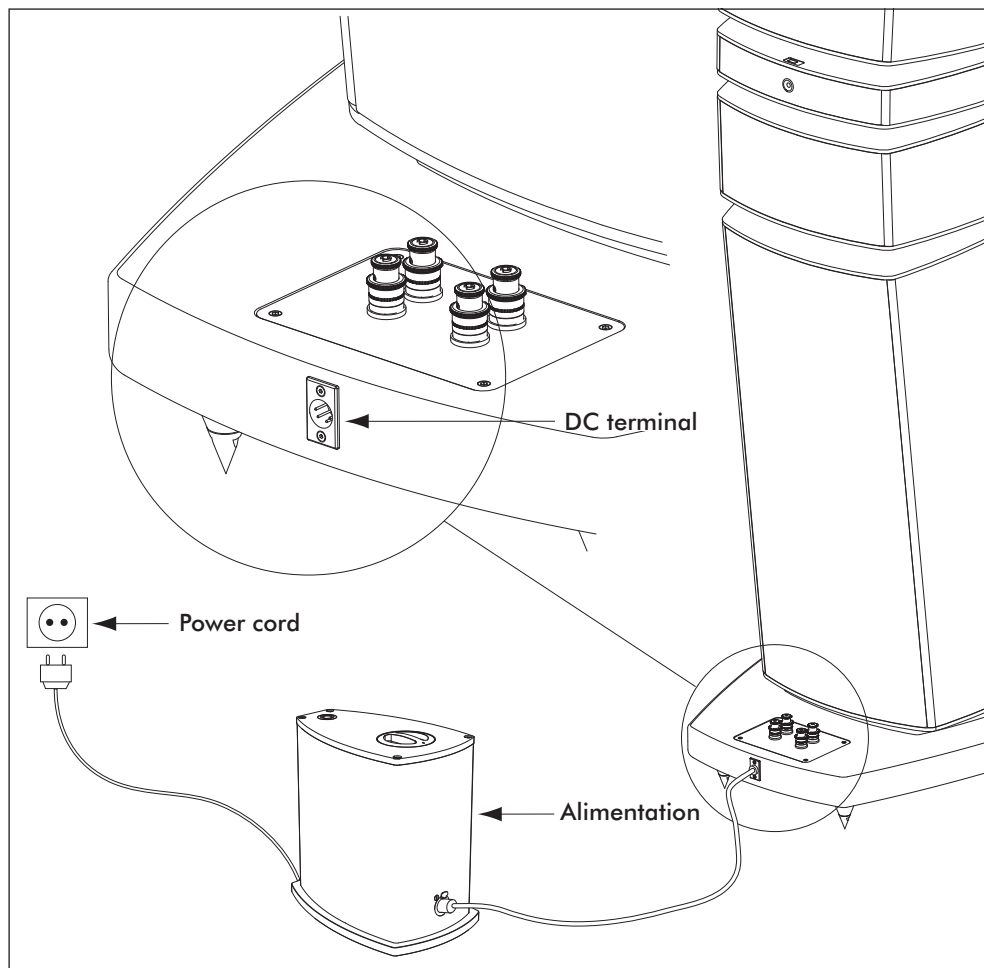
Power supply connection

Connect the power supply on the Grande Utopia EM.

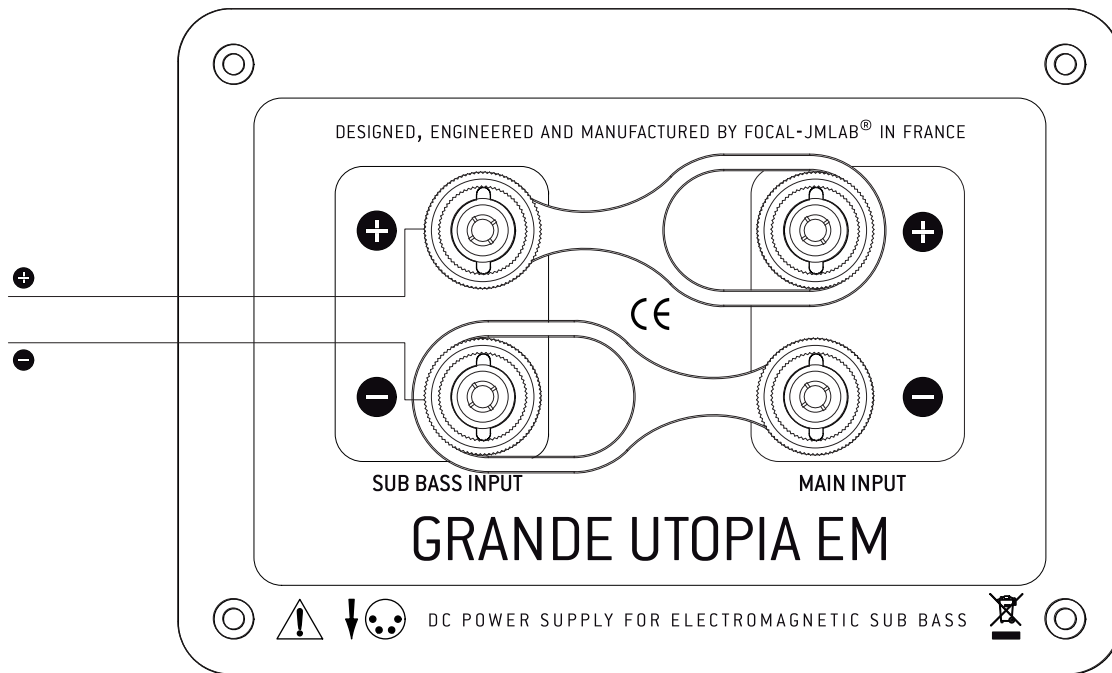
Switch ON (Autopower mode). The power supply automatically switches on or off when an audio signal is present or not.



Warning: Do not use without continuous current power supply.

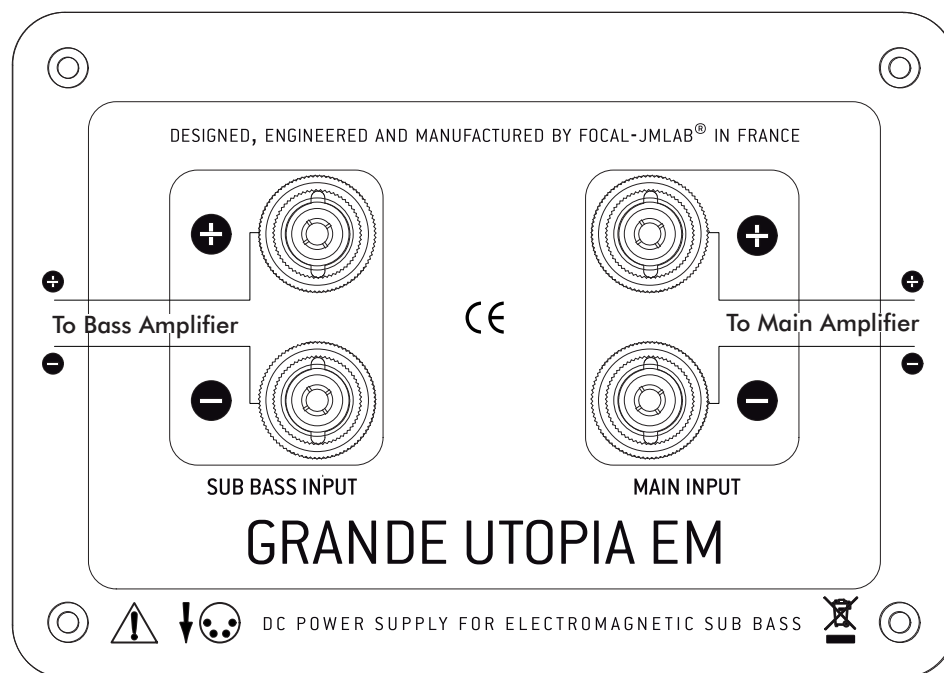


CONNECTION



Mono-amplification

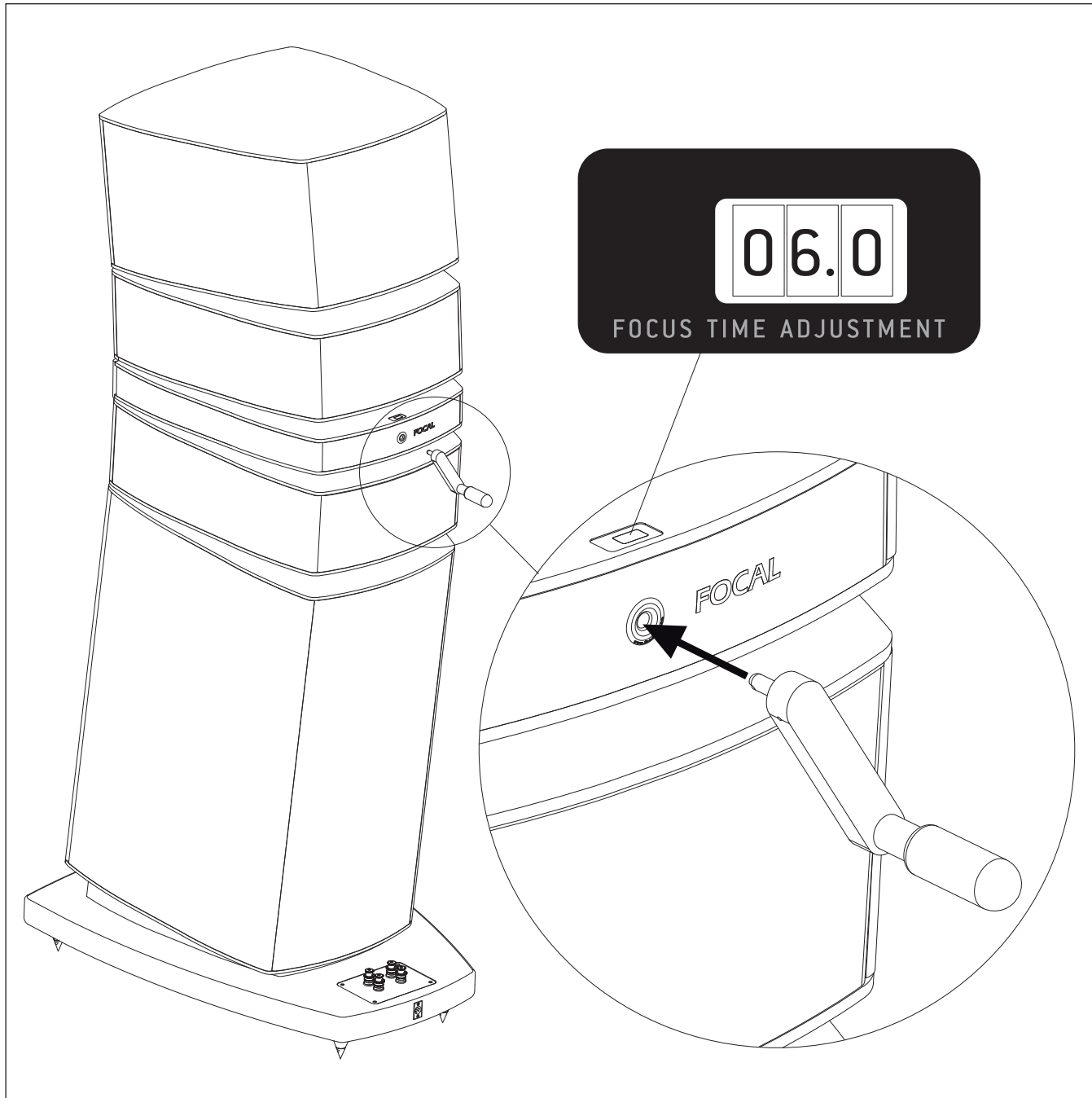
Use the supplied straps and connect the inputs as indicated.



Bi-wiring and bi-amplification

Do not use the straps. Connect each cable or each amplifier on the BASS and MAIN inputs.

ADJUSTABLE FOCUS TIME

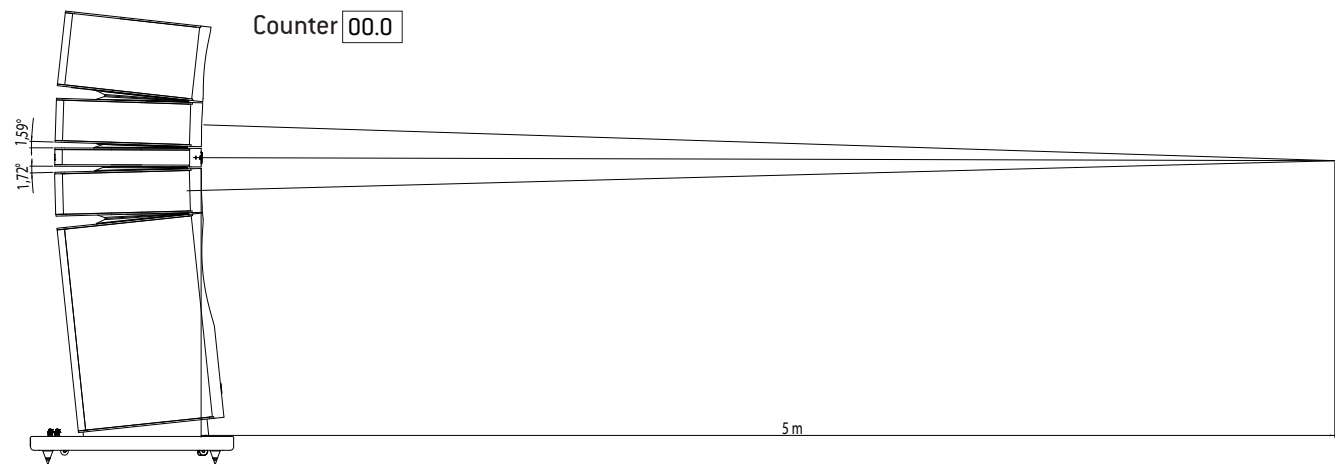
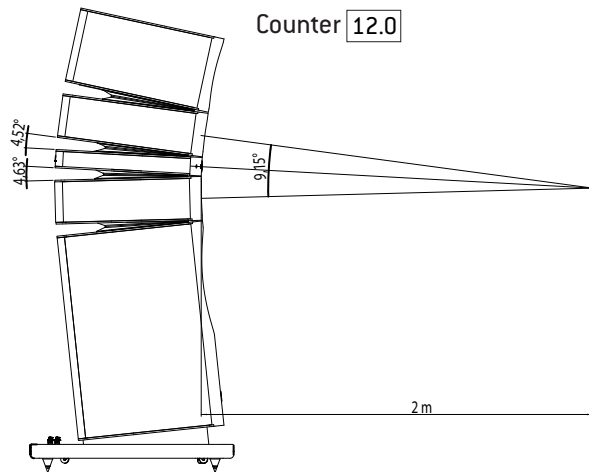


Remove the handle from the inferior midrange compartment.
Insert the handle in its location.



Warning: Never use force on the handle when it's beyond the adjustment limits (from 0 to 12 turns).

ADJUSTABLE FOCUS TIME



The Adjustable Focus Time permits to very precisely adjust the “Sweet Spot” (optimal listening point) according to the distance. Always similarly adjust the Adjustable Focus Time on the 2 loudspeakers thanks to the counters (fig F).

ADJUSTABLE FOCUS TIME	
SWEET SPOT	COUNTER POSITION
• at 2.5 to 3m (8 - 10ft)	120
• at 3 to 4m - (10 - 13ft)	060
• at 4 to 5m - (13 - 16ft)	000

Adjust the Focus Time turns with the handle according to the listening distance (see table above).

FINE TUNING

OPC + settings

Focal Exclusive Technologies

- IAL 2 Beryllium Tweeter™ - Focal Inverted Dome
- Ultra high flux profiled tweeter magnet system™
- Midrange Power Flower™ magnet system
- Adjustable Electromagnetic™ Sub Bass
- "W" optimized sandwich™ cones
- Optimum Phase Crossover™
- Adjustable Focus Time™

SUB BASS

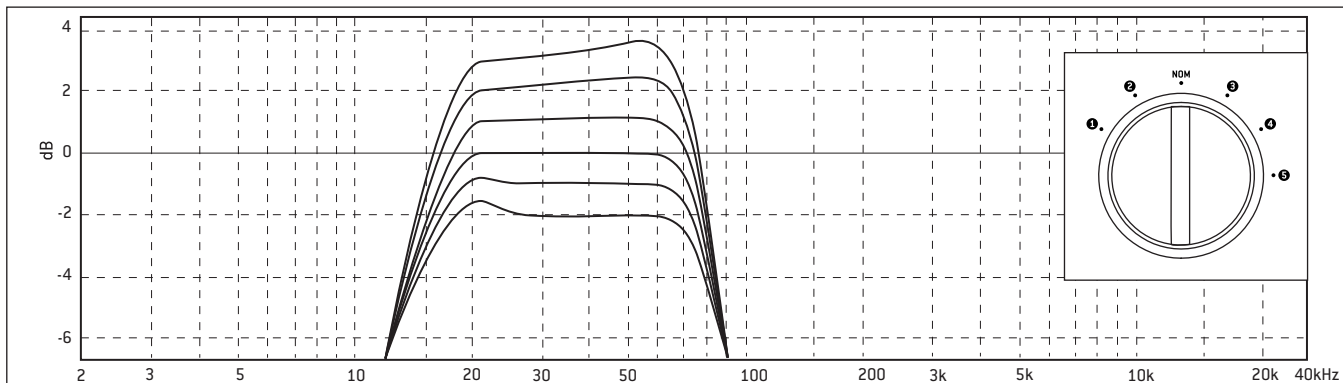
BASS

MIDRANGE

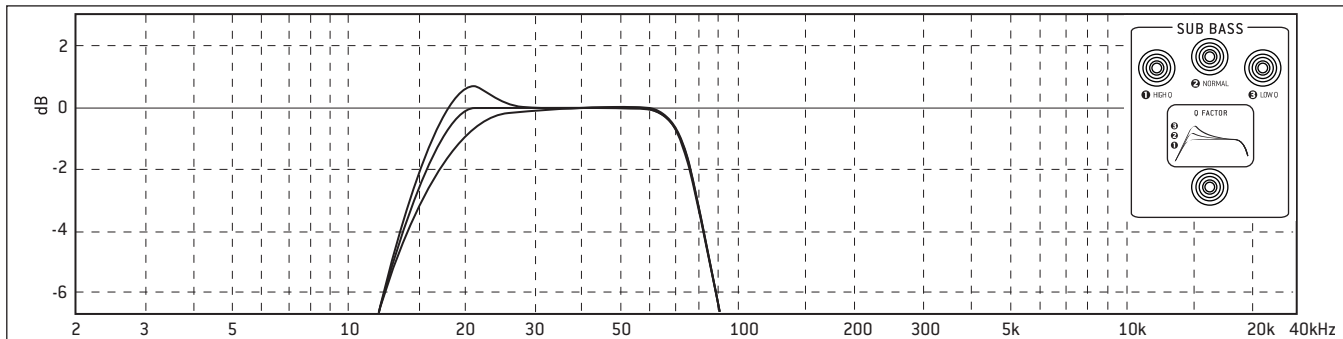
TWEETER

Rotary switch of the EM power supply in nominal position.

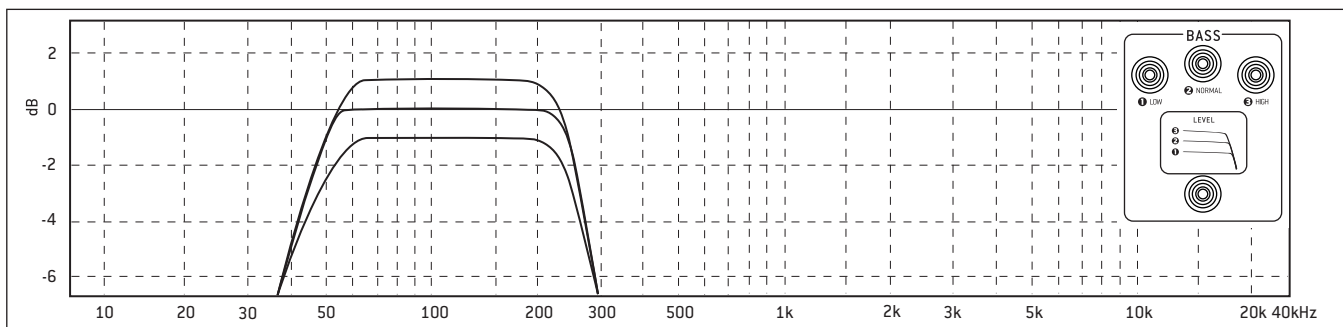
Sub-bass section: power supply setting



Sub-bass section: quality factor setting

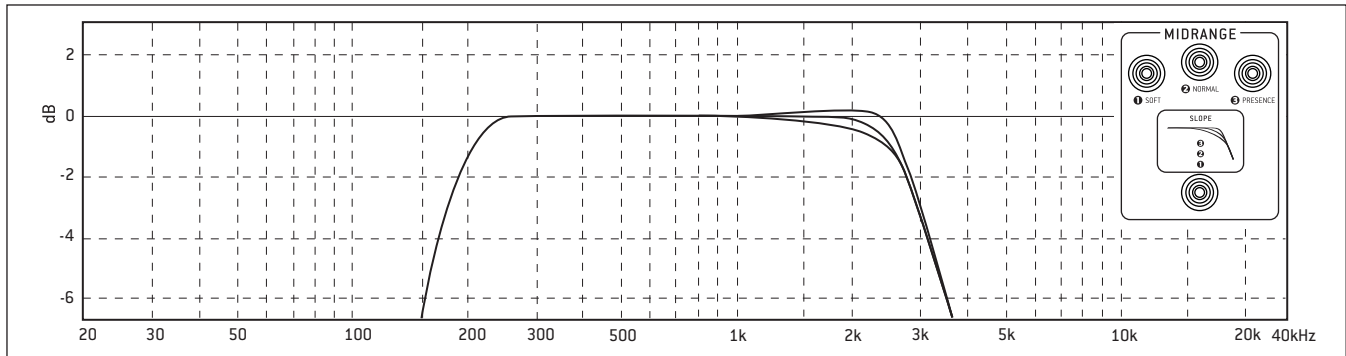


Bass section: level settings

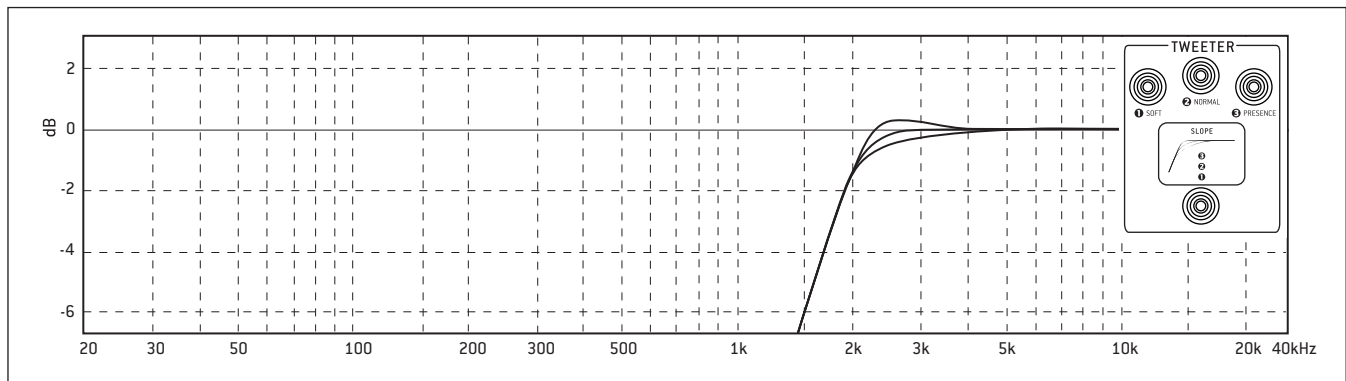


FINE TUNING

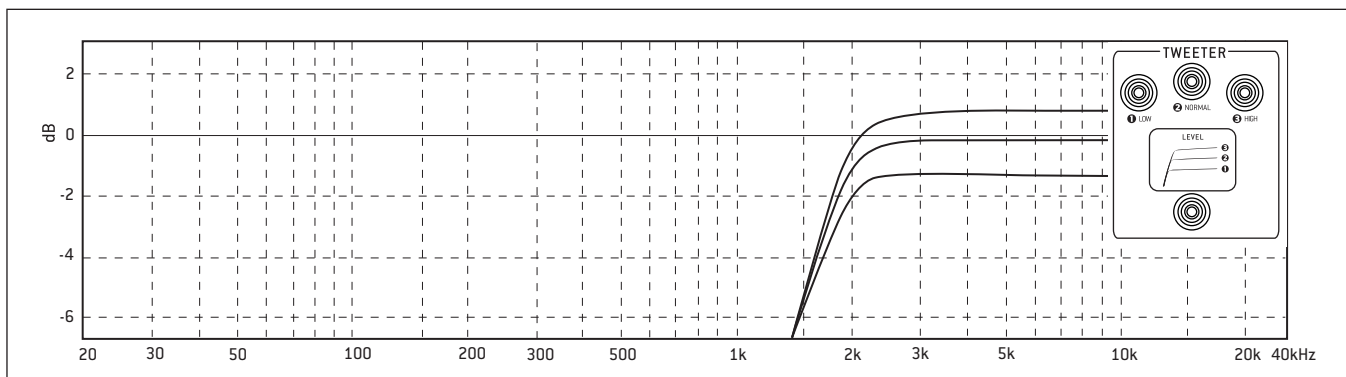
Midrange section: slope settings



Tweeter section: slope settings

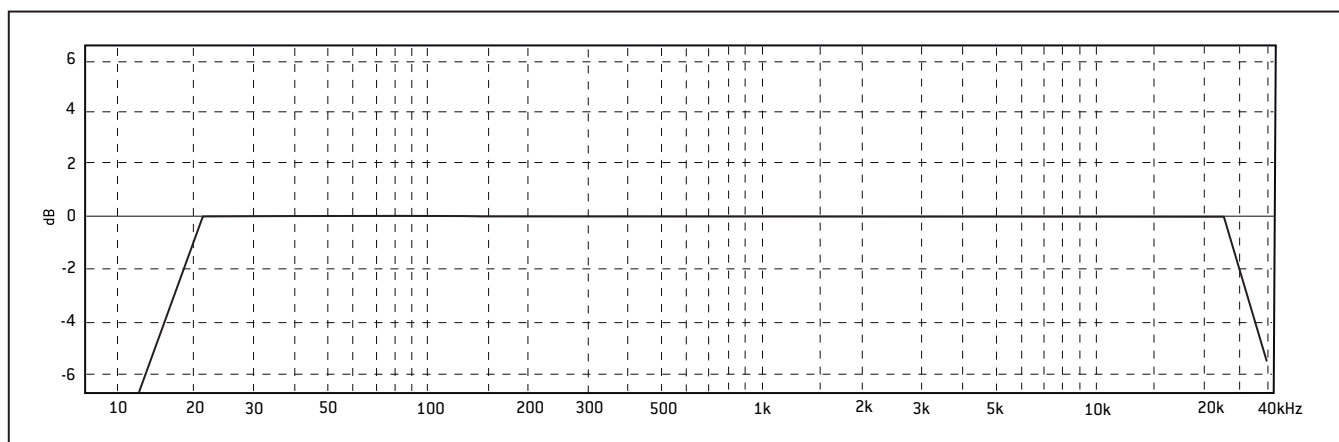
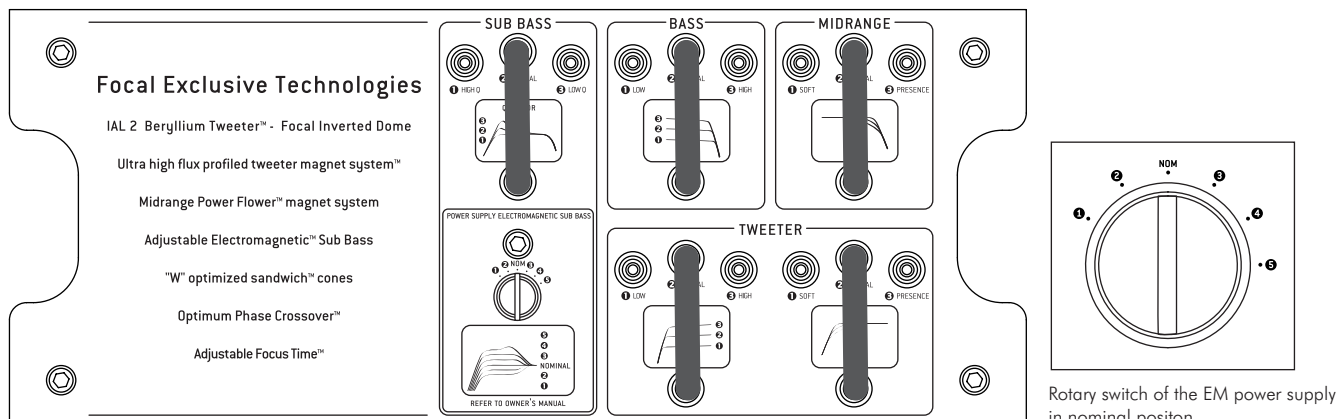


Tweeter section: level settings



FINE TUNING

The global speaker: linear nominal response



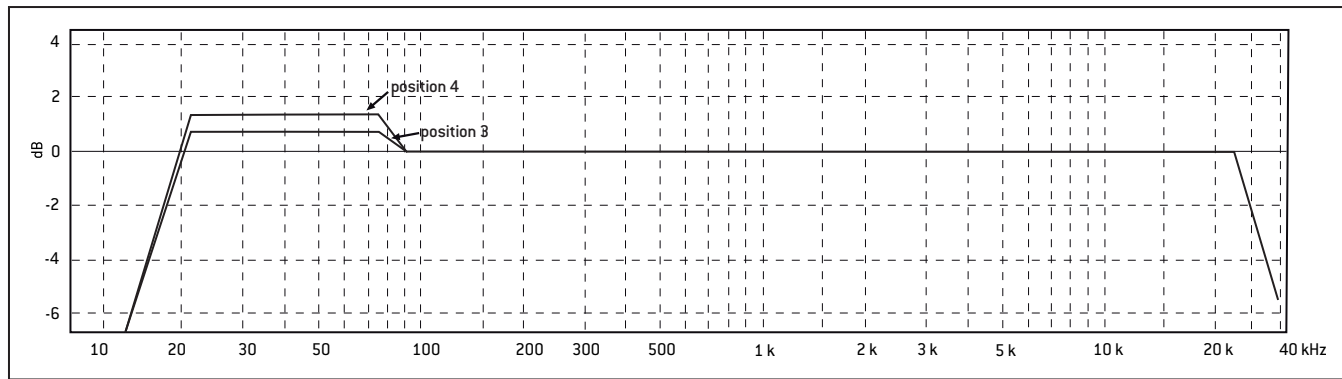
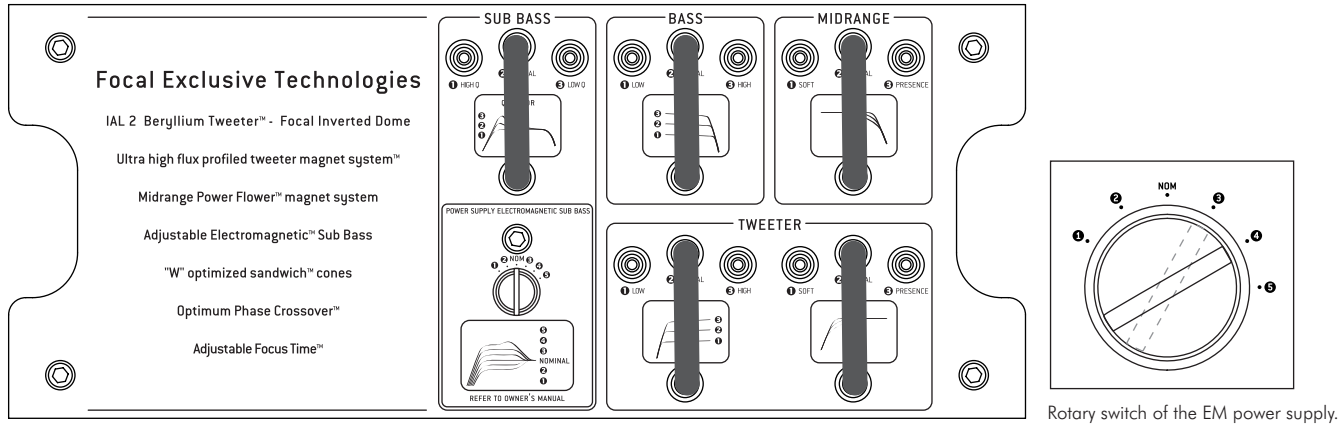
Response with all the settings in nominal position.

Linear setting for ideal conditions:

- Slightly absorbing room with light curtains, few windows, wooden floor with a thick carpet between loudspeakers and listener, some plants, a fabric sofa (or maybe leather with extra fabric seats).
- Neutral electronics, sounding neither too clear nor too muffled.

FINE TUNING

Sub-bass section: power supply setting



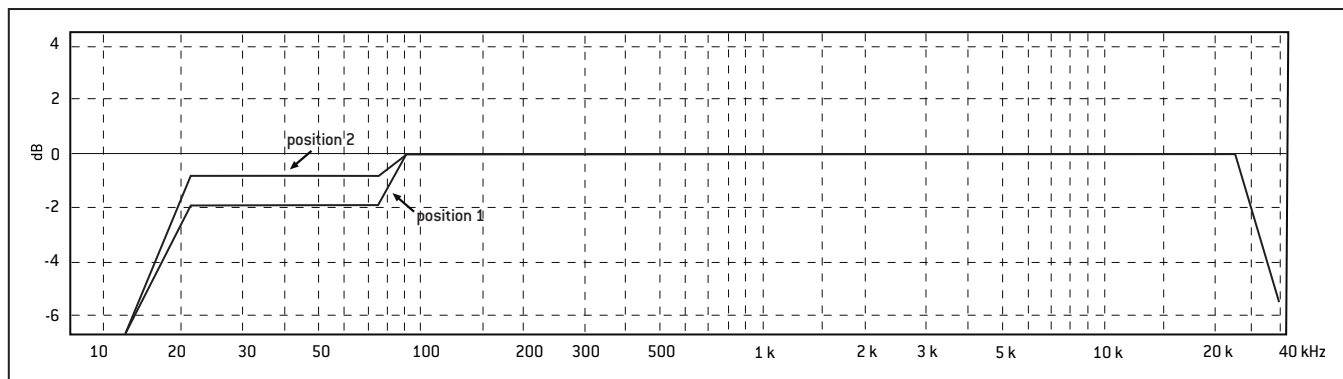
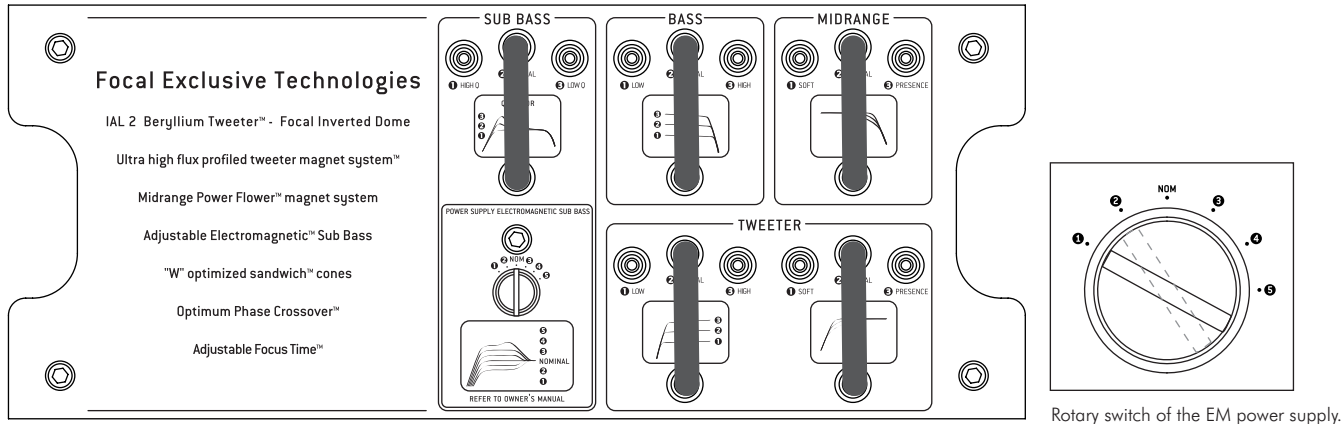
Obtained response in positions 3 and 4.

Setting for:

- A room with excellent acoustics (as in previous page) but with large or very large dimensions.
- Electronics lacking bass.

FINE TUNING

Sub-bass section: power supply setting



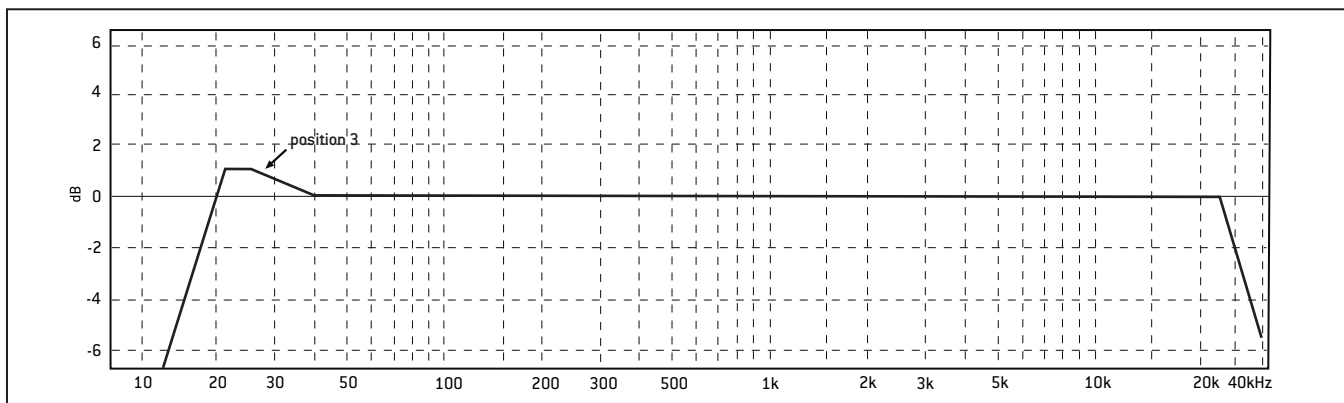
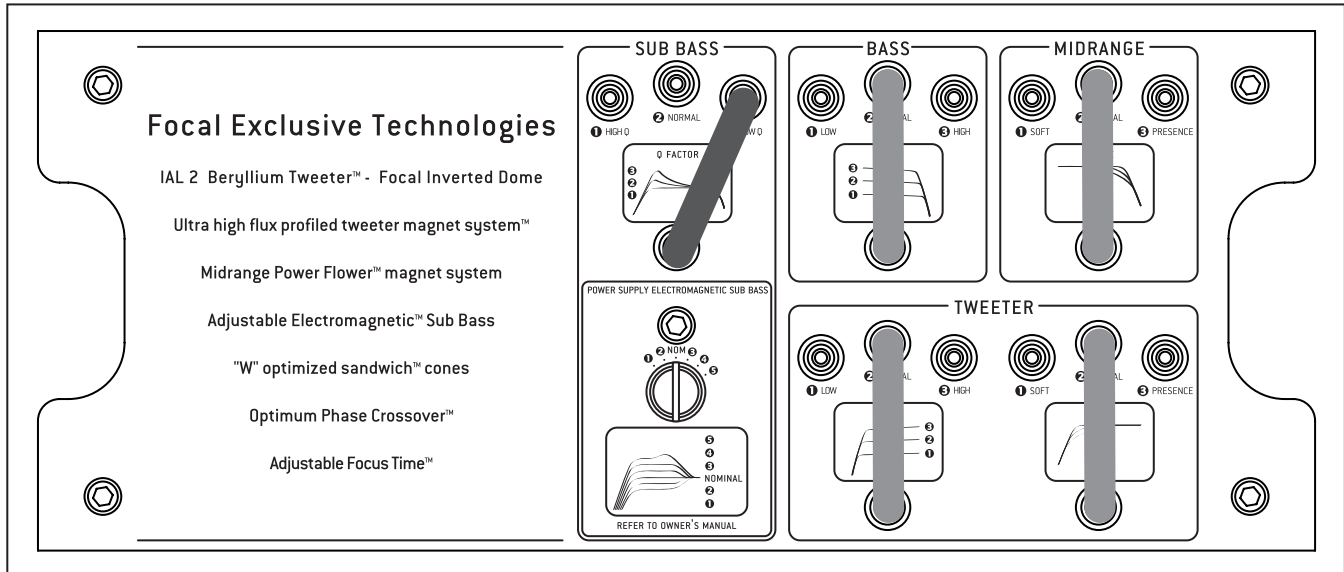
Obtained response in positions 1 and 2.

Setting for:

- A room with excellent acoustics (as in previous page) but with small or average dimensions.
- A loudspeaker placed too close from an angle or a wall.
- Electronics which pushes the bass.

FINE TUNING

Sub-bass section: quality factor setting (damping factor)



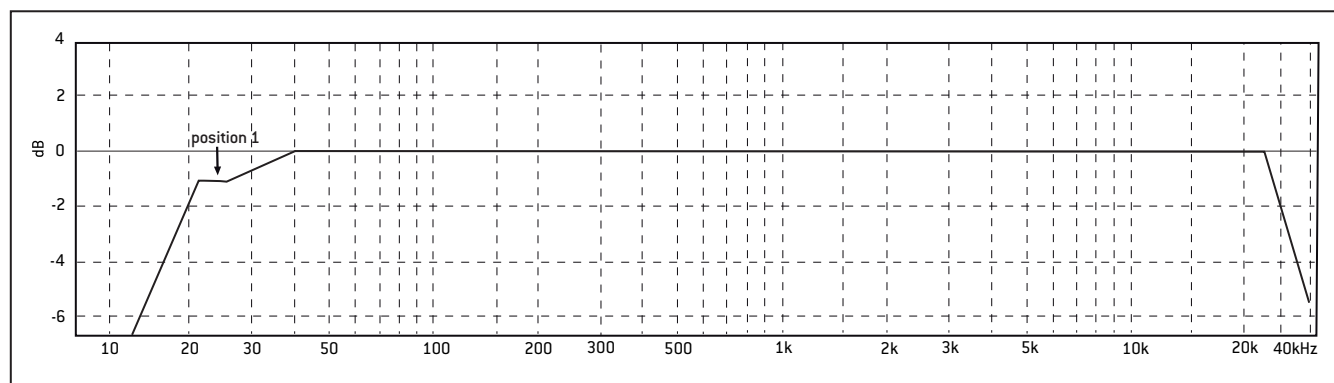
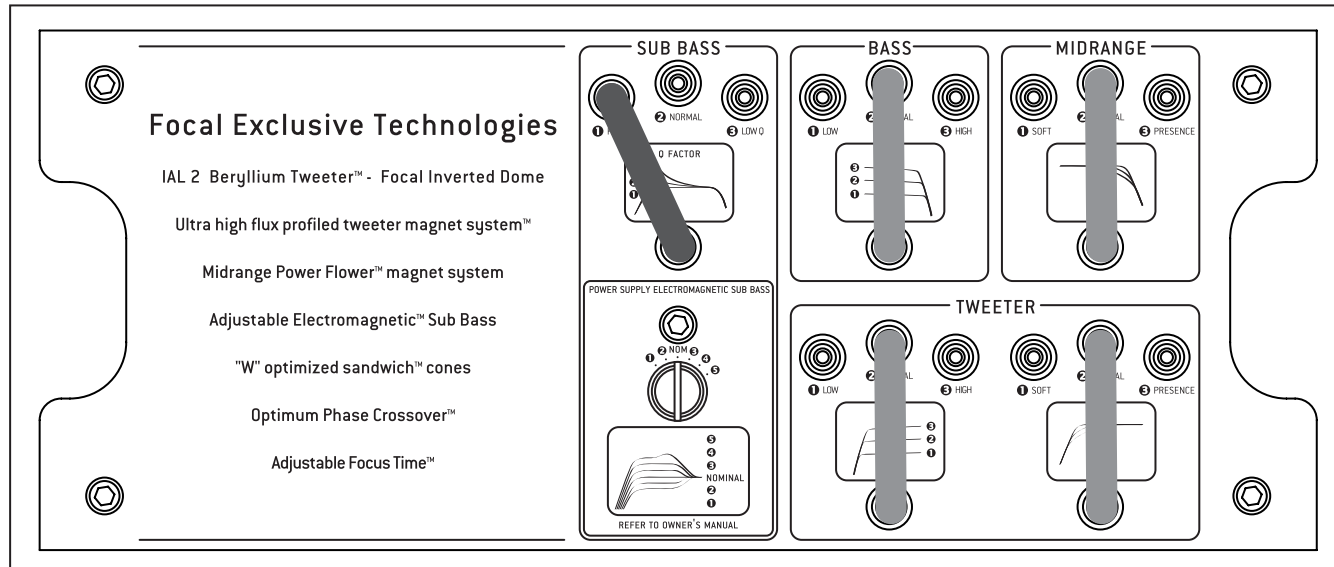
Obtained response in position 3.

Setting for:

- Normal room, but with the sub-bass band recessed due to cancelling standing waves.
- Plaster plate walls, absorbing the sub-bass band.
- Electronics sounding recessed in the LF band.

FINE TUNING

Sub-bass section: quality factor setting (damping factor)



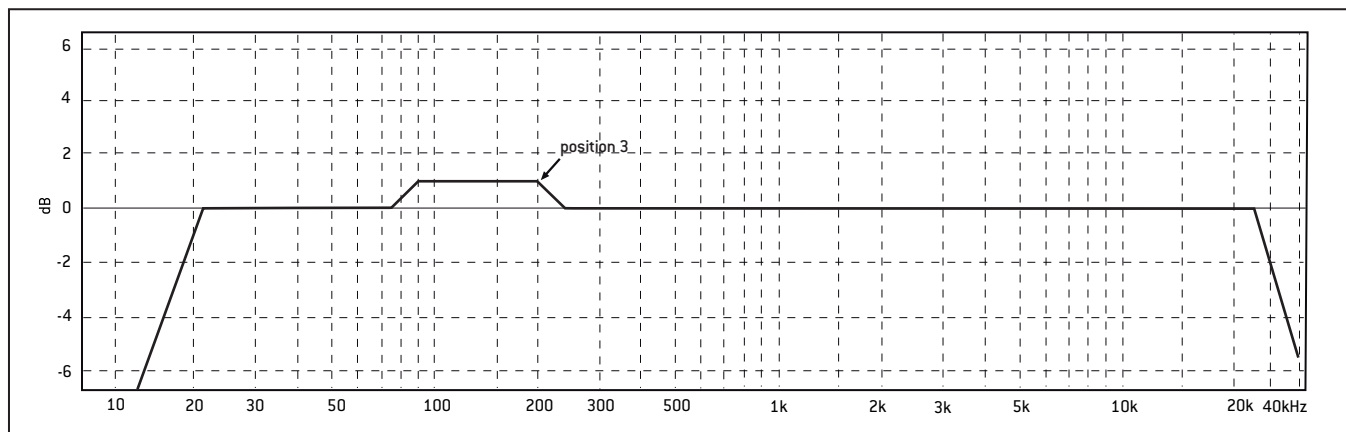
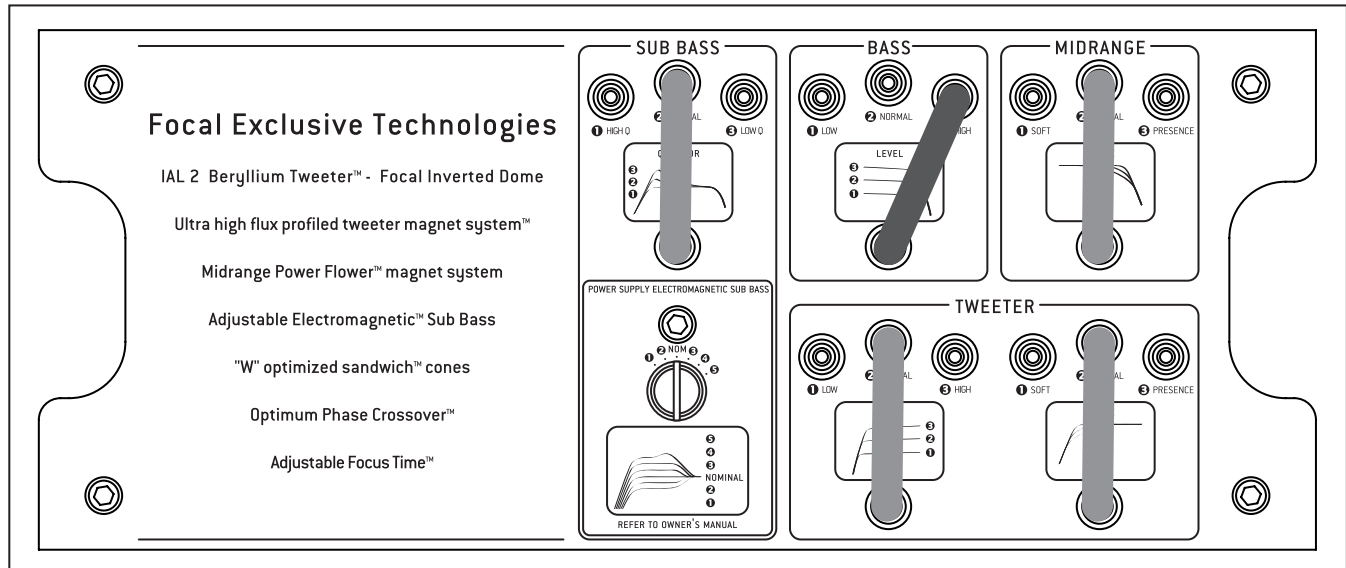
Obtained response in position 1.

Setting for:

- Normal room, hard walls (concrete, stone, ...).
- Electronics which excessively pushes up the sub-bass band.
- Cable sounding plain in the LF band.

FINE TUNING

Bass section: level settings



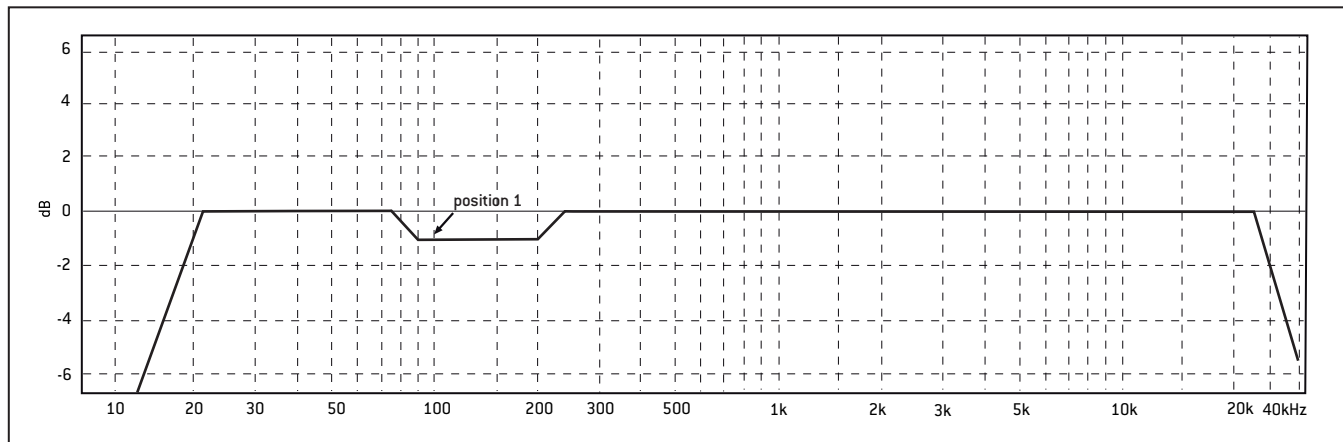
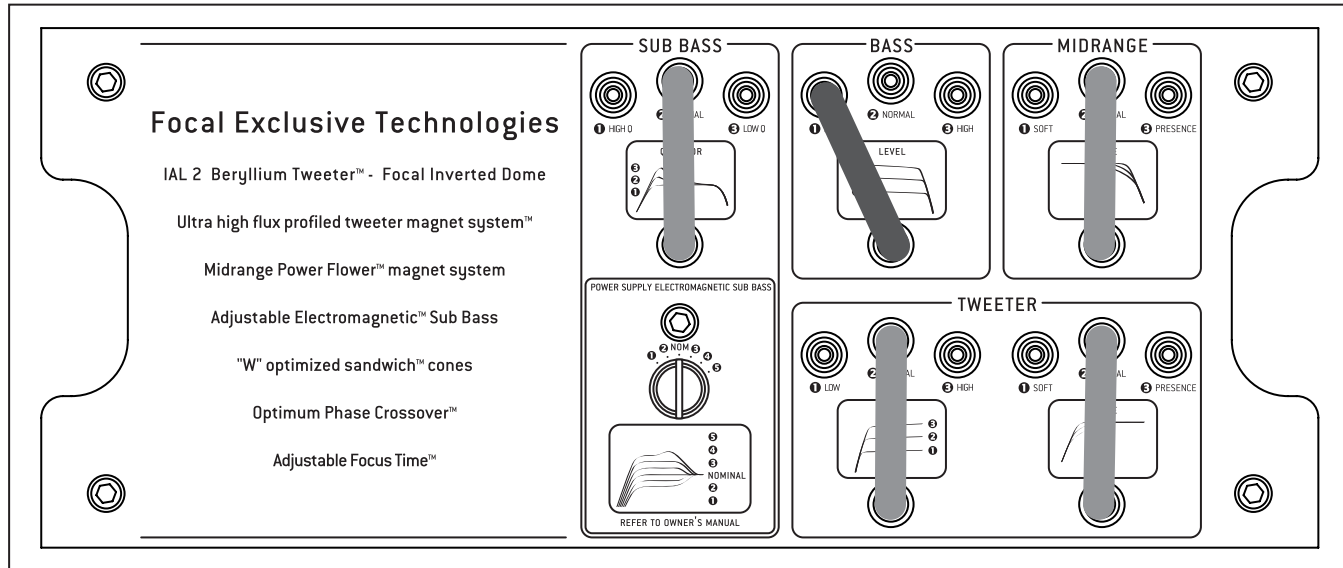
Obtained response in position 3.

Setting for:

- Normal room, floating parquet floor absorbing high-bass/low-midrange band.
- Electronics or cables which deepen the low-midrange band.

FINE TUNING

Bass section: level settings



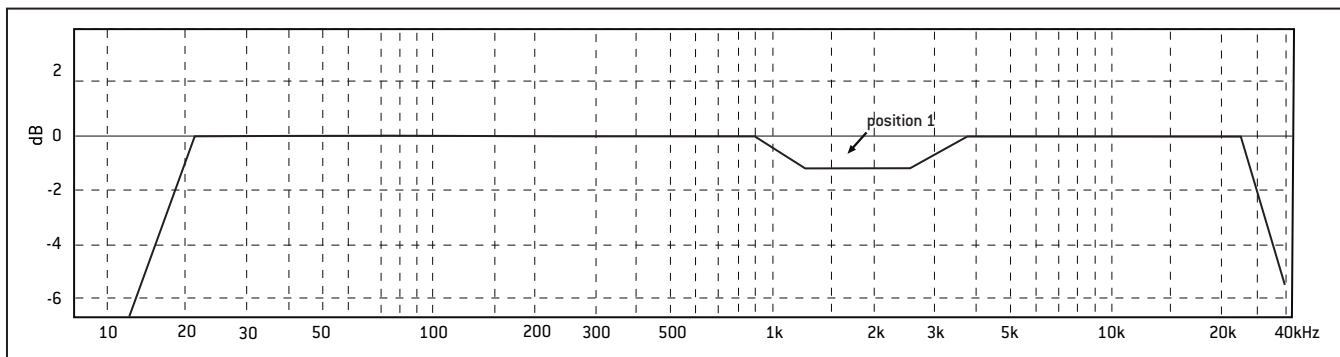
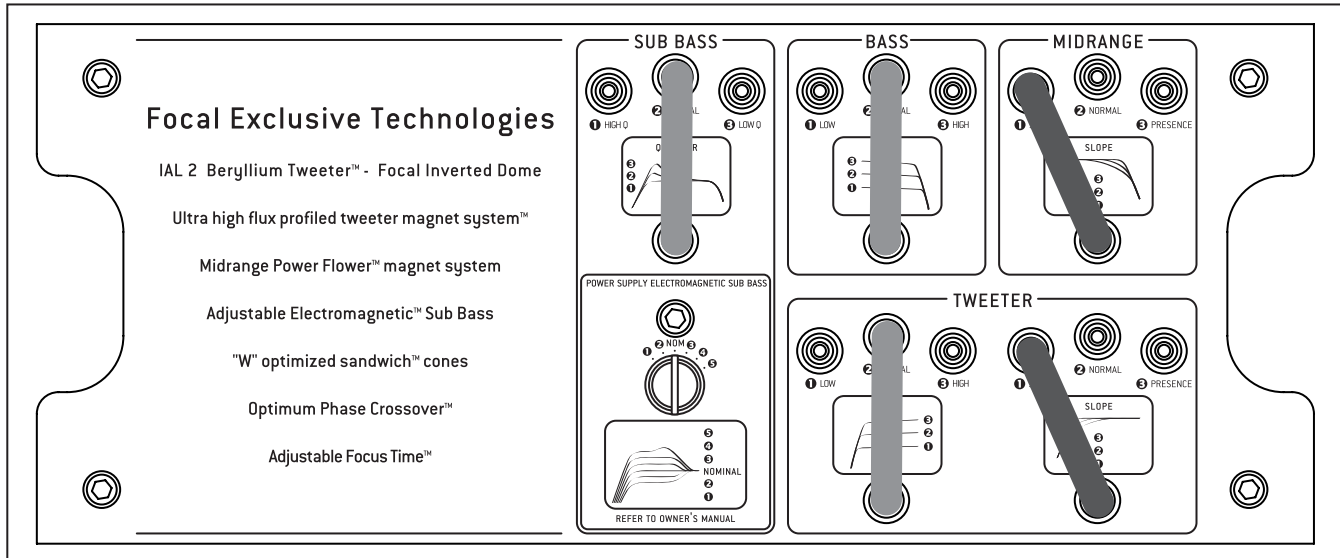
Obtained response in position 1.

Setting for:

- Normal room, hard walls, resonance that increases the low-midrange band.
- Electronics forward in the low-midrange band.
- Cables which push up the low-midrange band.

FINE TUNING

Midrange & tweeter section: slope settings



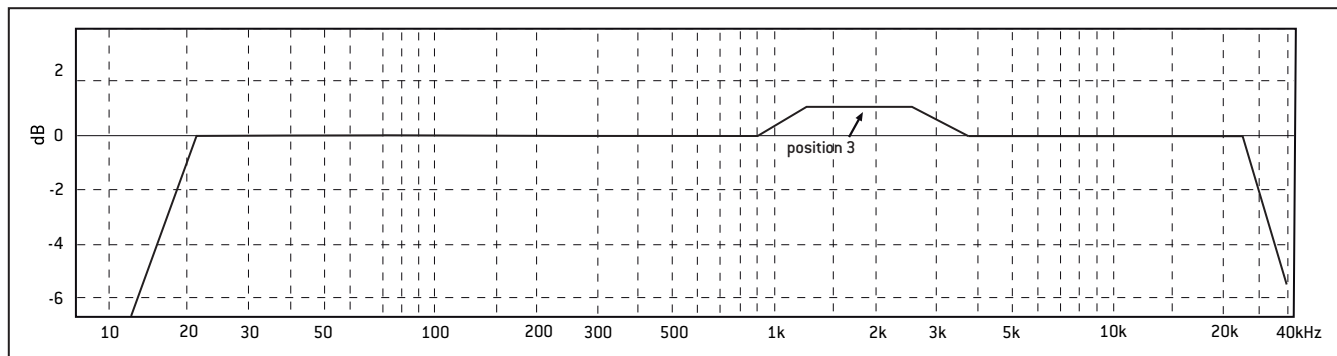
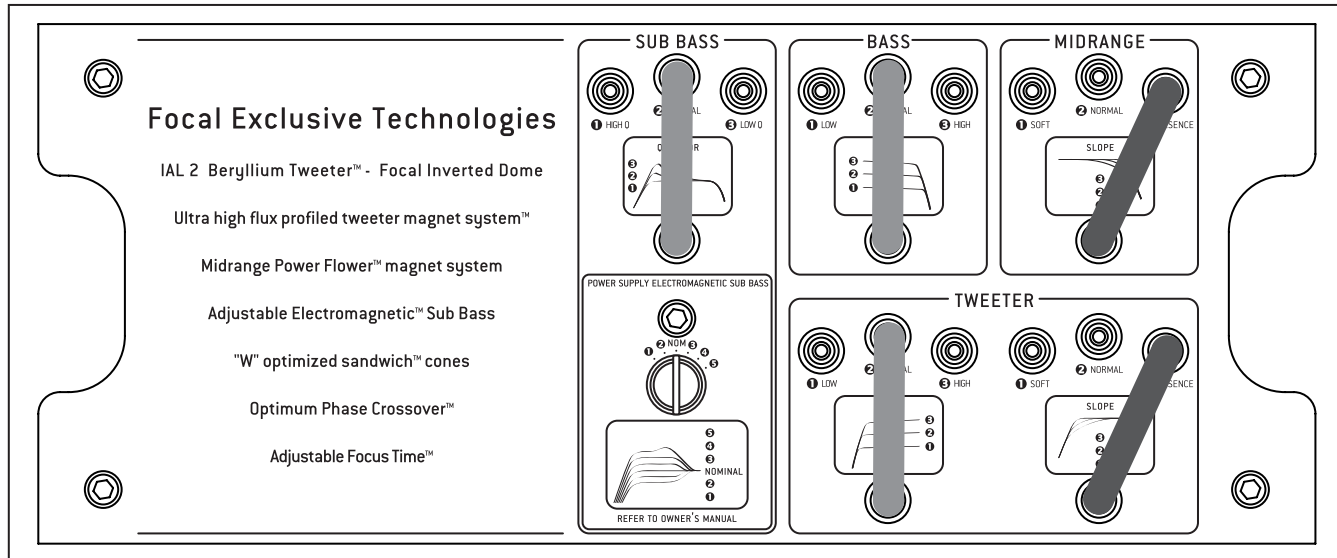
Obtained response in position 1: midrange/tweeter slope.

Setting for:

- Normal room but with little damping, hard walls, big glass surface, tiled floor.
- Forward sounding electronics in the MF-HF band.

FINE TUNING

Midrange & tweeter section: slope settings



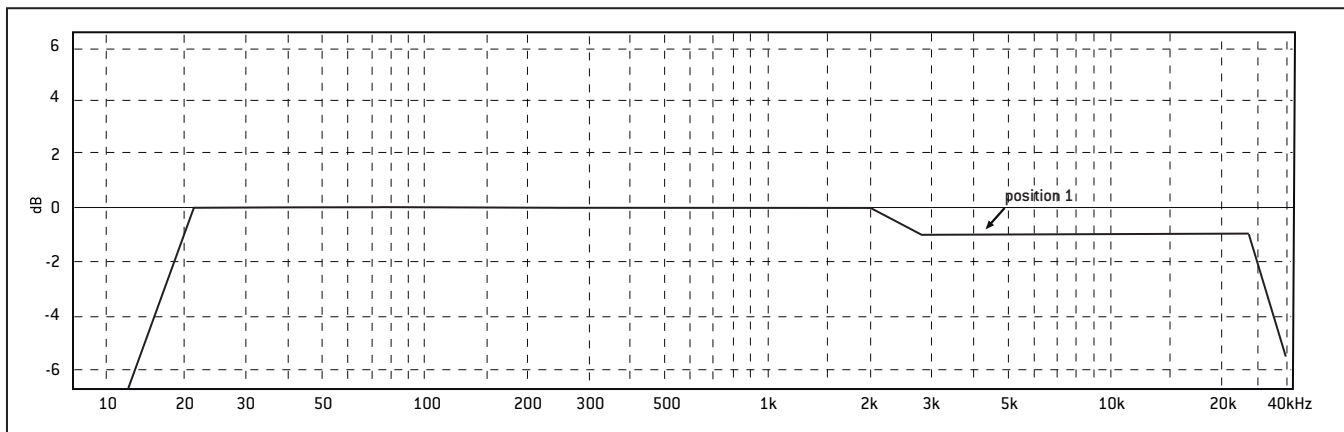
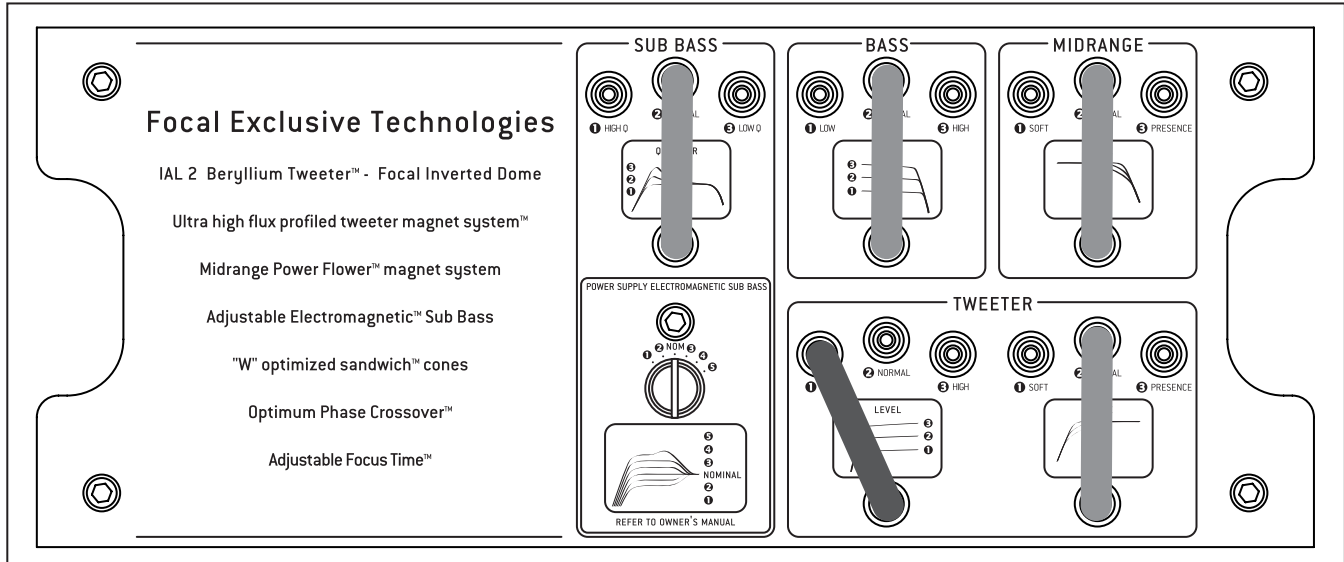
Obtained response in position 3: midrange treble.

Setting for:

- Normal room but with little reflection, walls covered with paper or fabric, thick curtains, carpet or thick mat on the floor.
- Electronics with recessed MF-HF band.
- Smooth sounding cables.

FINE TUNING

Tweeter section: level settings



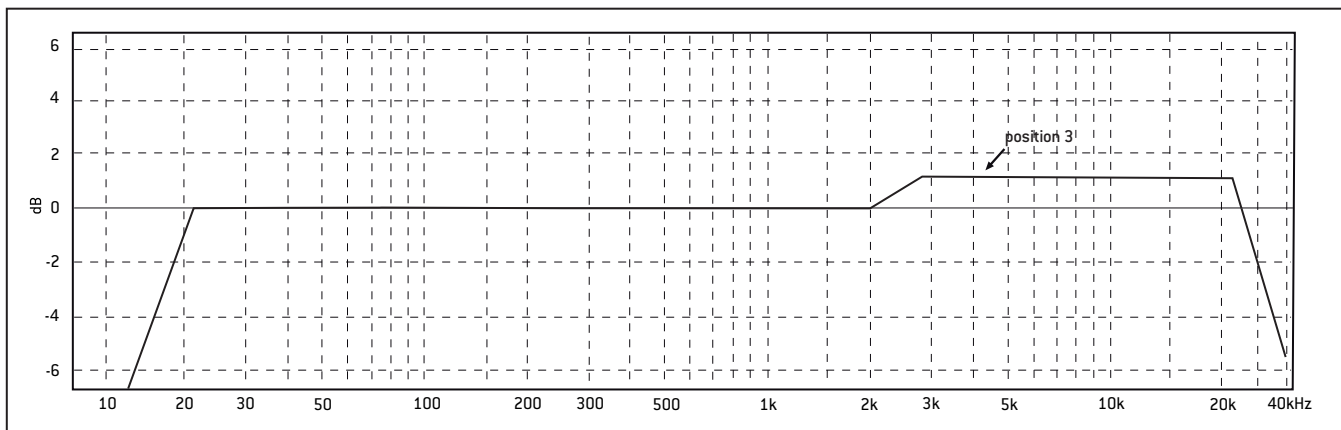
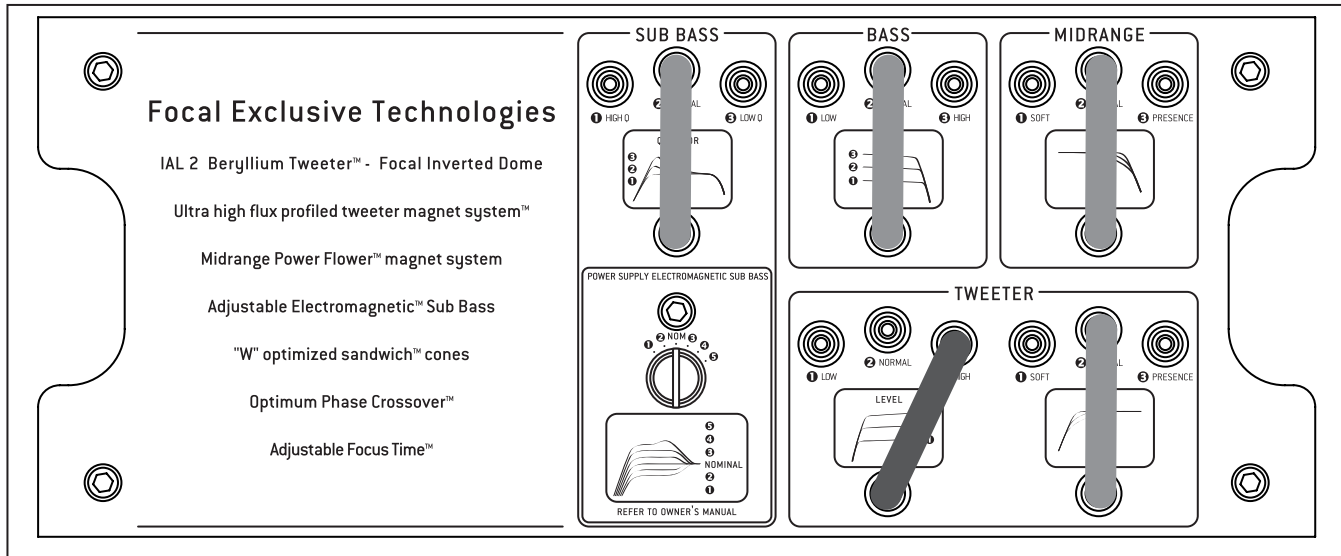
Obtained response in position 1: treble.

Setting for:

- Room with very little damping, glass surfaces and light curtains.
- Bright sounding electronics.
- Bright sounding cables.

FINE TUNING

Treble section: level settings



Obtained response in position 3: treble.

Setting for:

- Highly absorbing room, thick curtains, fabric seats.
- Smooth electronics (tubes...).
- Wires with high electric capacity that reduces the HF band.

SPECIFICATIONS

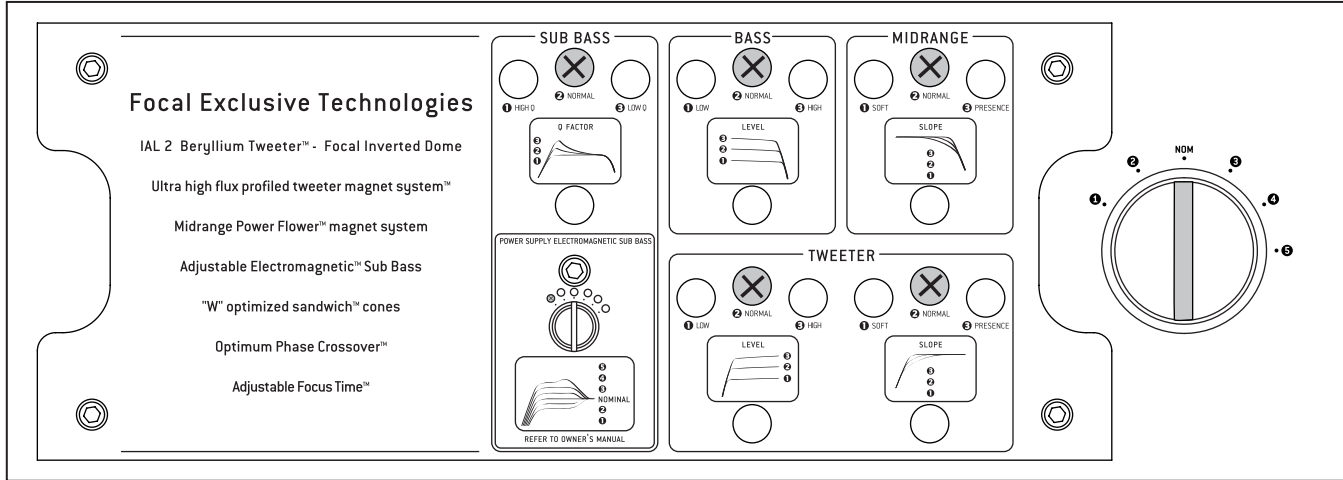
Grande Utopia™ EM™	
Type	4-way, floorstanding bass-reflex loudspeaker.
Drivers	Electro-Magnetic 16" (40cm) "W" woofer Multiferrite 11" (27cm) "W" midbass 2 Power Flower 6 1/2" (16.5cm) "W" midrange drivers IAL2 pure Beryllium inverted dome 1" (27mm) tweeter.
Frequency response (± 3 dB)	18Hz - 40kHz
Low frequency point (-6 dB)	14Hz
Sensitivity (2.83 V/1 m)	94dB
Nominal impedance	4Ohms
Minimum impedance	3Ohms
Filtering frequencies	80Hz / 220Hz / 2200Hz
Recommended amplifier power	50 - 1000W
Dimensions (HxWxD)	79 ^{13/16} x 25 ^{3/4} x 34 ^{5/8} {2012 x 654 x 880mm}
Net weight	573.2 lb {260kg}

Conditions of guarantee

All Focal loudspeakers are covered by guarantee drawn up by the official Focal distributor in your country. Your distributor can provide all details concerning the conditions of guarantee. Guarantee cover extends at least to that granted by the legal guarantee in force in the country where the original purchase invoice was issued.

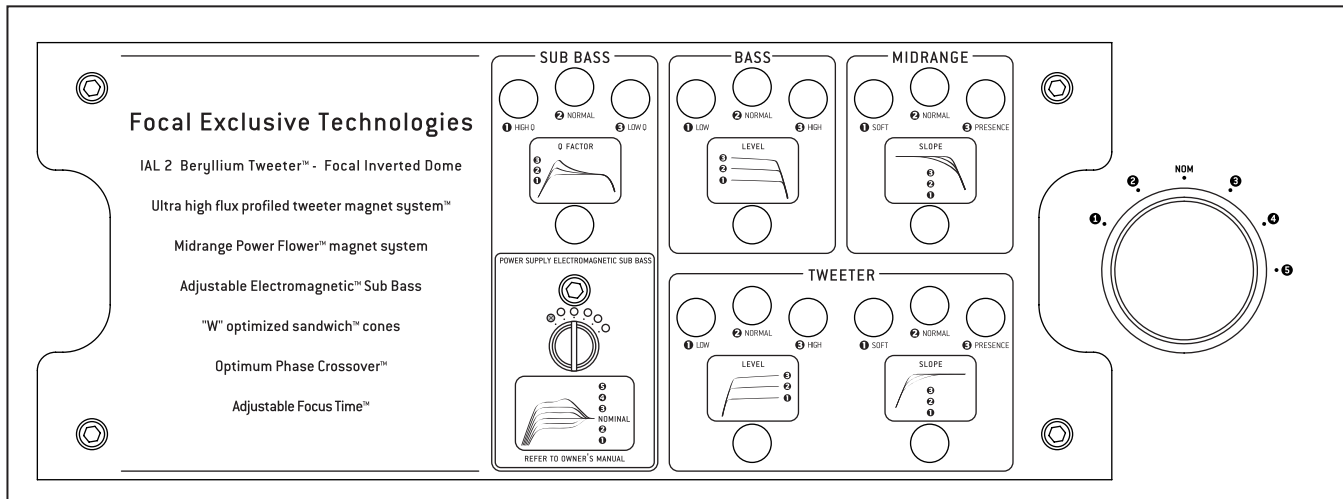
MEMO

Standart Setting



Check the locations of the settings made by your retailer as follow (here all in nominal position).

Setting day: _____ / _____ / _____



Notes:

.....

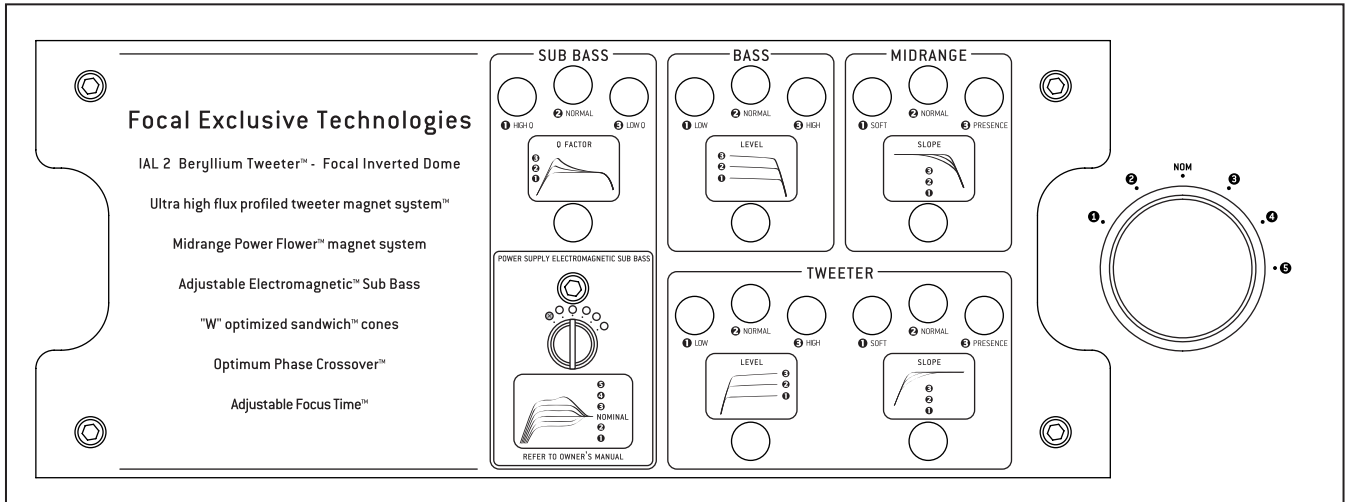
.....

.....

.....

MEMO

Setting day: ____/____/____



Notes:

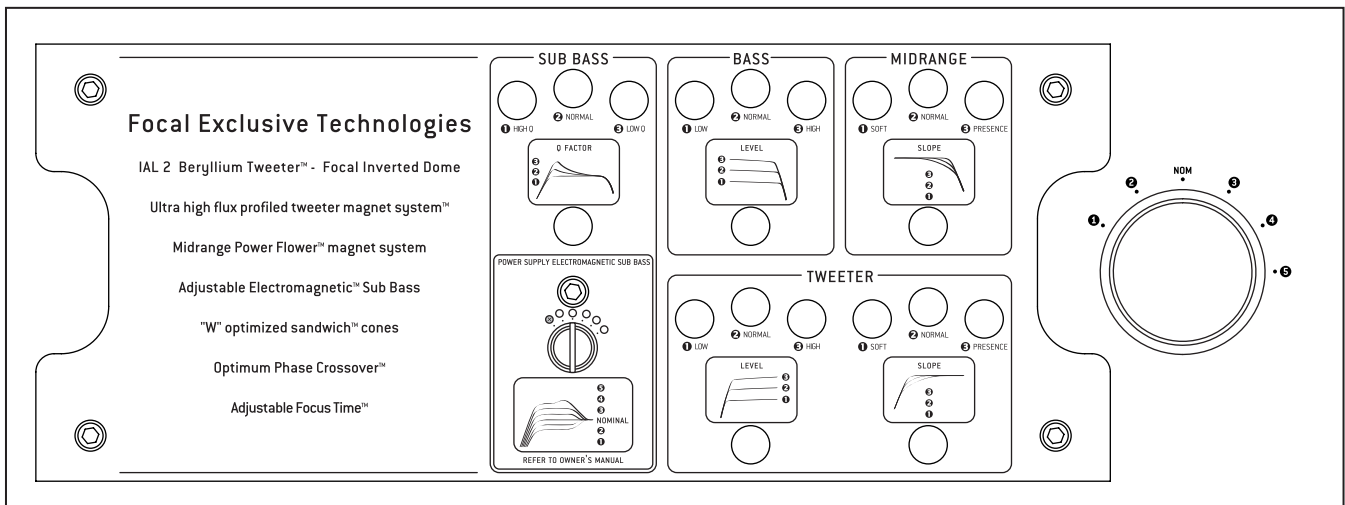
.....

.....

.....

.....

Setting day: ____/____/____



Notes:

.....

.....

.....

.....



Focal-JMLab® - BP 374 - 108, rue de l'Avenir - 42353 La Talaudière cedex - France - www.focal-fr.com
Tel. (+33) 04 77 43 57 00 - Fax (+33) 04 77 43 57 04

Printed on recycled paper by a French printing-house certified "Imprim'Vert".

CE

INTERNATIONAL GUARANTEE

The Focal guarantee only applies if this page is returned to us within 10 days of purchase, to the following address:

Focal-JMlab - BP 374 - 108, rue de l'Avenir - 42353 La Talaudière cedex - FRANCE

Model: _____ Serial number: _____

Name of dealer: _____

Town: _____

Date of purchase: _____ Purchase price: _____

Your name: _____ Your First name: _____

Age: _____ Occupation: _____

Your complete address: _____

Your email address: _____

Details of your installation (brand, model):

■ CD / DVD recorder: _____

■ Tuner: _____

■ DVD: _____

■ CD/SACD: _____

■ Satellite / cable / TNT: _____

■ Amp. Preamp.Receiver: _____

■ Other elements: _____

The information given on this page will remain confidential.



